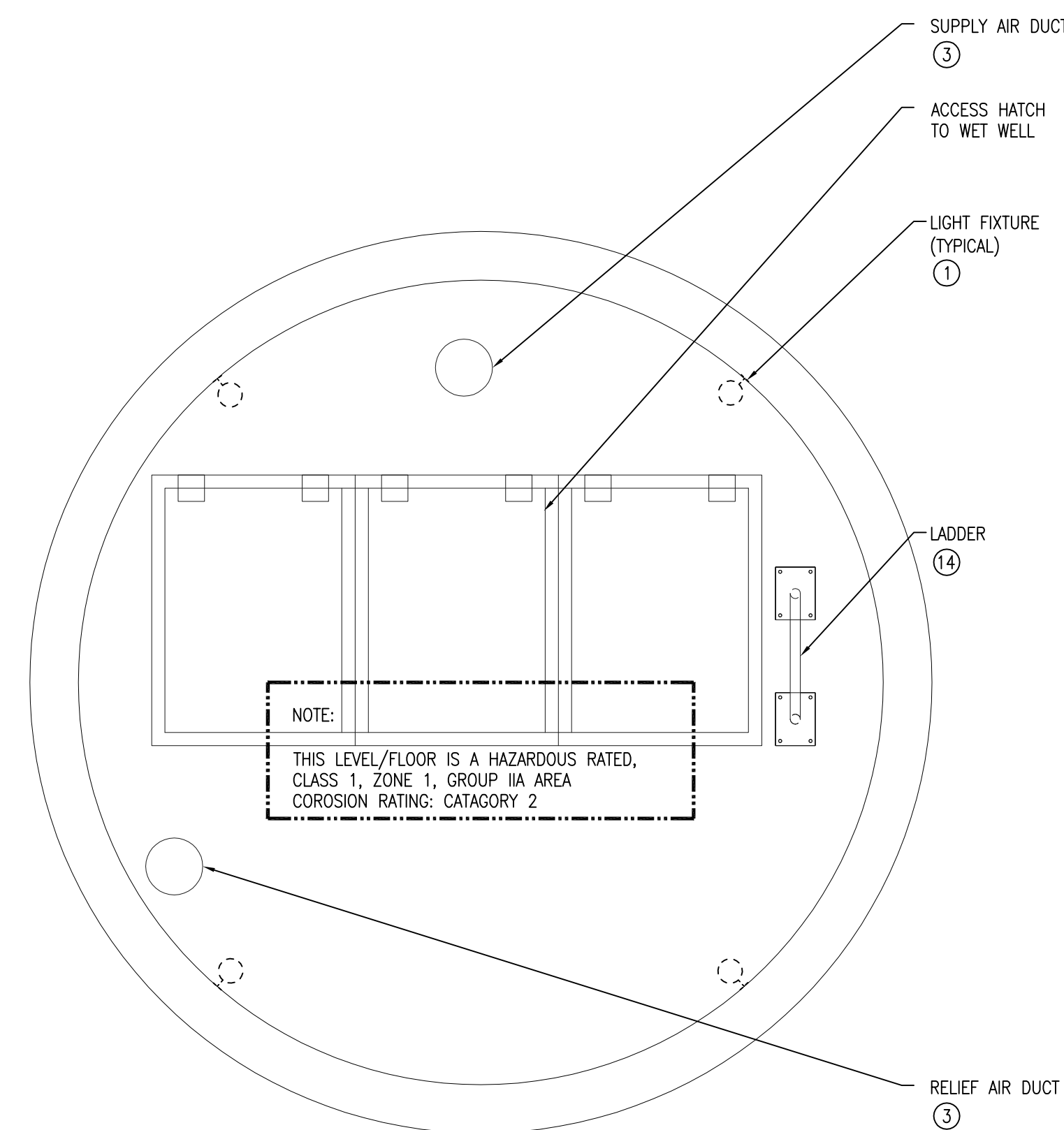
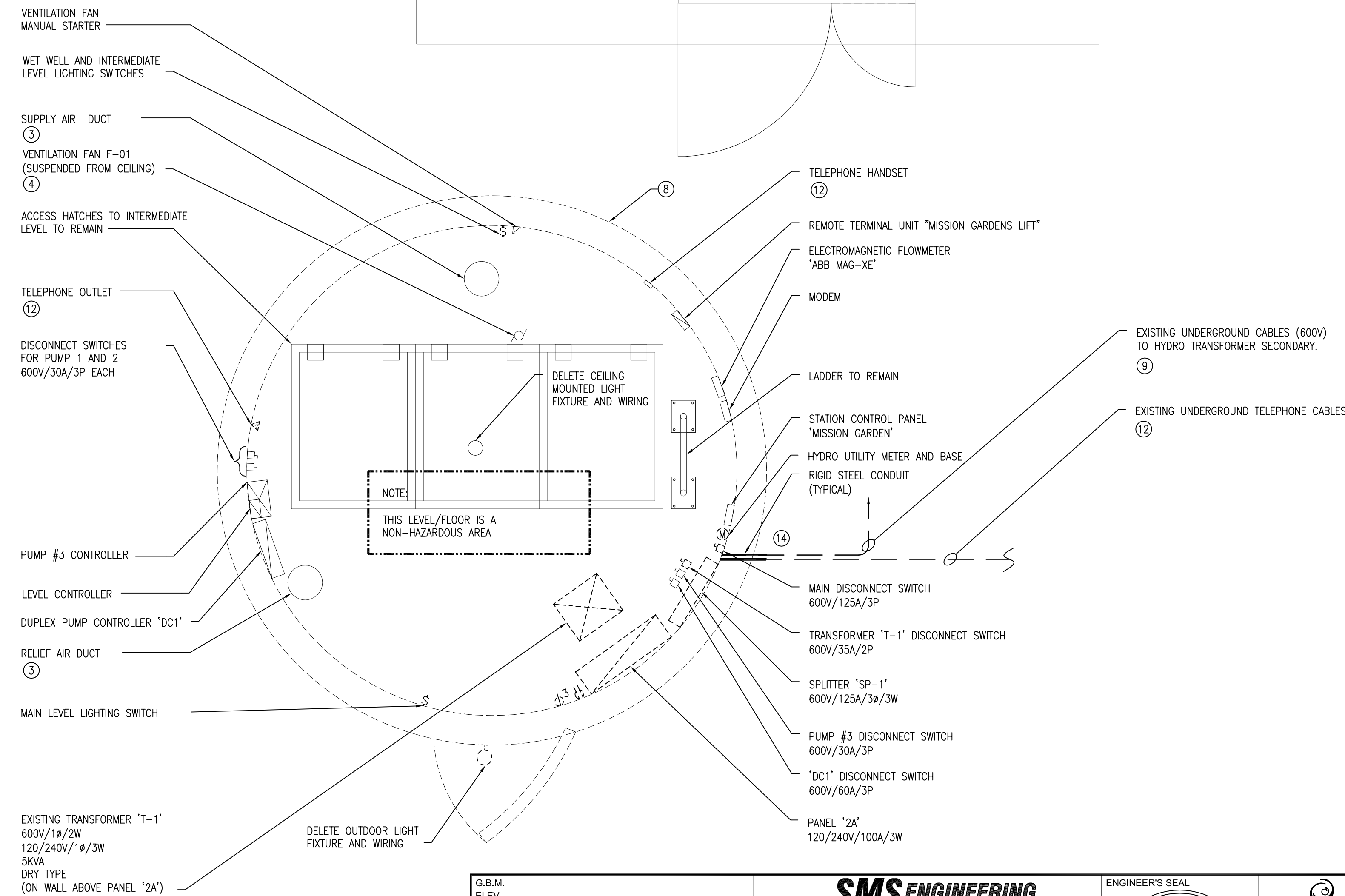


1 WET WELL PLAN - DEMOLITION (S)(1)(3)
SCALE: 1:20
E1.0

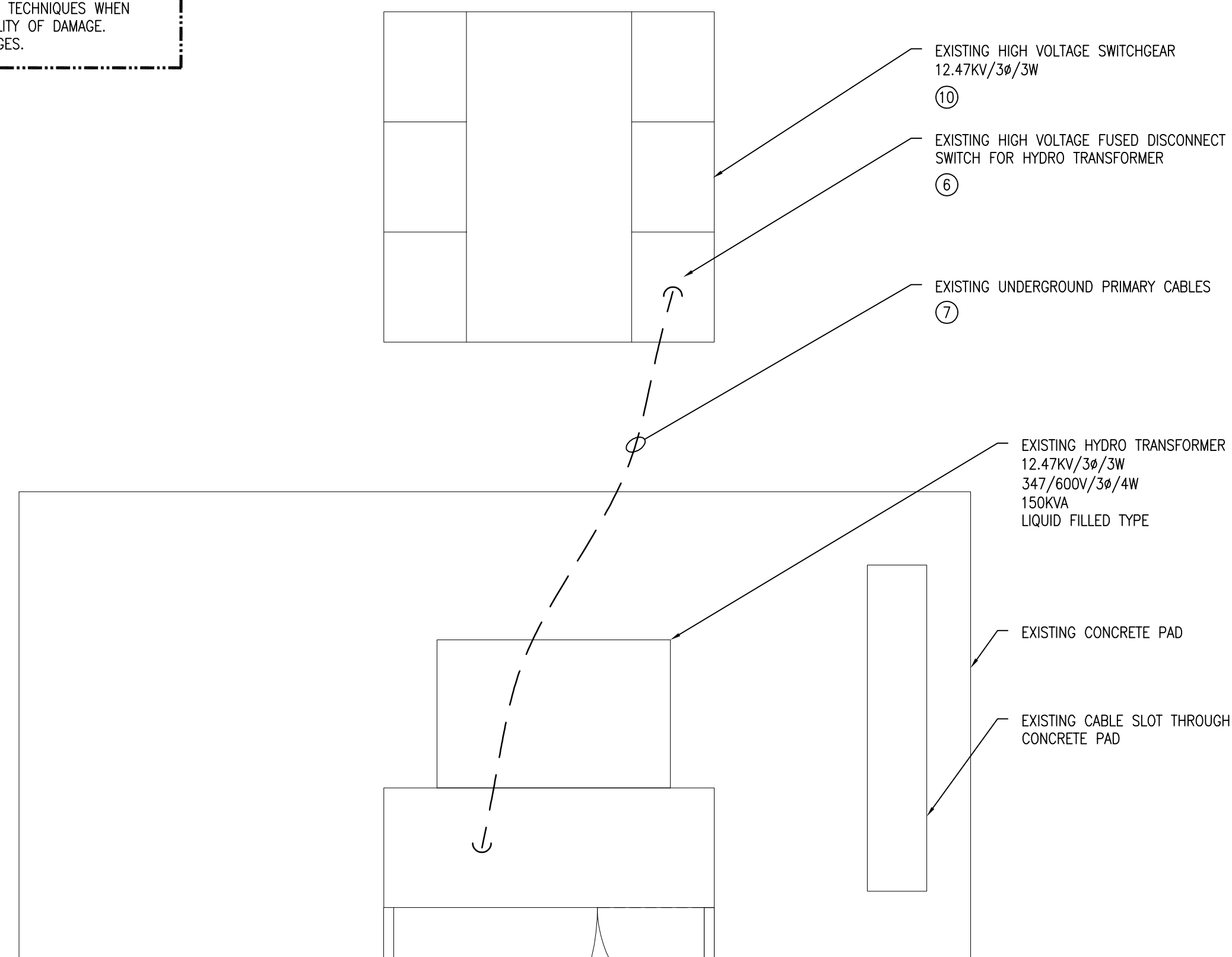


2 INTERMEDIATE FLOOR PLAN - DEMOLITION (S)(1)(3)
SCALE: 1:20
E1.0

NOTE:
SITE SERVICES SHOWN ARE FOR INFORMATION PURPOSES ONLY. THE SERVICES SHOWN ARE APPROXIMATE AND MAY NOT BE ACCURATE. CONTRACTOR TO VERIFY ON SITE ALL LOCATIONS THAT MAY AFFECT SCOPE OF WORK. USE 'SOFT-DIG' TECHNIQUES WHEN WORKING AROUND EXISTING SERVICES TO MITIGATE THE POSSIBILITY OF DAMAGE. REPLACE ANY EXISTING SERVICES THAT THIS CONTRACTOR DAMAGES.

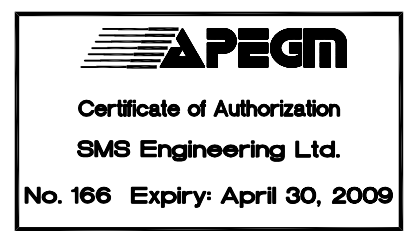


3 MAIN FLOOR PLAN - DEMOLITION (S)(1)(3)
SCALE: 1:20
E1.0



DRAWING NOTES (S)

- REMOVE EXISTING LIGHT FIXTURE, WIRING AND CONDUIT BACK TO PANEL.
- EXISTING PUMP TO REMAIN. EXISTING WIRING WITHIN INTERMEDIATE FLOOR AND WET WELL TO THE PUMP SHALL BE SALVAGED FOR FUTURE RE-USE. SEE DRAWING E4.0.
- REFER TO MECHANICAL DRAWINGS.
- EXISTING EXHAUST FAN TO BE RELOCATED BY DIVISION 15. DIVISION 16 TO DISCONNECT AND REMOVE WIRING AND CONDUIT BACK TO PANEL.
- TEMPORARILY SUPPORT EQUIPMENT DURING DEMOLITION OF EXISTING STRUCTURE. COORDINATE EQUIPMENT REMOVAL AND RELOCATION WITH DIVISION 15 AND THE CONTRACTOR. ALL ELECTRICAL EQUIPMENT WITHIN EACH LEVEL IS EXISTING TO BE RELOCATED TO NEW LOCATION OR TO BE REPLACED WITH NEW AS SHOWN ON DRAWINGS E2.0 AND E3.0.
- EXISTING HIGH VOLTAGE DISCONNECT SWITCH TO REMAIN.
- MANITOBA HYDRO TO DISCONNECT AND ENTIRELY REMOVE UNDERGROUND TRANSFORMER PRIMARY CABLES.
- EXISTING PRECAST CONCRETE MANHOLE 3.048M INSIDE DIAMETER.
- DISCONNECT AND ENTIRELY REMOVE UNDERGROUND CABLES.
- HIGH VOLTAGE SWITCHGEAR TO REMAIN.
- EXISTING STRUCTURE ABOVE GRADE LEVEL TO BE COMPLETELY DEMOLISHED BY THE CONTRACTOR AFTER NEW INSTALLATION IS COMPLETE AND FULLY FUNCTIONAL. COORDINATE WORK AND ELECTRICAL DEMOLITION AND NEW CONSTRUCTION WITH THE CONTRACTOR.
- DISCONNECT AND REMOVE EXISTING TELEPHONE HANDSET AND TELEPHONE OUTLET. PROVIDE NEW TELEPHONE OUTLET AND RELOCATE EXISTING HANDSET TO NEW LOCATION AS SHOWN ON DRAWING E3.0, DETAIL 1. PULL EXISTING TELEPHONE CABLES OUTSIDE OF BUILDING AND PROVIDE SUITABLE PROTECTION DURING CONSTRUCTION. EXISTING TELEPHONE CABLES AND UNDERGROUND CONDUIT SHALL BE RE-USED IN NEW INSTALLATION. REFER TO DRAWING E3.0, DETAIL 1.
- ALL EXISTING POWER AND CONTROL WIRING FOR LIGHTING, ELECTRICAL AND MECHANICAL EQUIPMENT, ETC. THAT IS NO LONGER REQUIRED IS TO BE DISCONNECTED AND ENTIRELY REMOVED FROM THE BUILDING UNLESS OTHERWISE NOTED. REMOVE ALL EXISTING CONDUIT, JUNCTION BOXES, CONNECTORS, ETC. NO LONGER REQUIRED UNLESS OTHERWISE NOTED.
- EXISTING POWER AND TELEPHONE CABLES EXIT FROM GROUND IN SEPARATE RIGID STEEL CONDUITS AND ENTER BUILDING IMMEDIATELY AFTER EXITING GROUND. (APPROXIMATELY 6" ABOVE GRADE).



No.	REVISIONS	DATE	BY	DATE	MARCH 2009	DATE	MARCH 27, 2009
4	HYDRO CHARGES DELETED	15.04.09	BDL				
3	ISSUED FOR BID OPPORTUNITY (REV)	31.03.09	SB				
2	ISSUED FOR BID OPPORTUNITY	27.03.09	SB				
1	ISSUED FOR 99% OWNER REVIEW	24.02.09	SB				

ENGINEER'S SEAL

ORIGINAL CONTRACT DRAWING SIGNED AND SEALED BY S. BLAZEWSKI, P. ENG MARCH 31, 2009

BID OPPORTUNITY # : 901-2008
PLOT DATE : MARCH 27, 2009

THE CITY OF WINNIPEG
WATER AND WASTE DEPARTMENT

REHABILITATION OF BOURNAIS WASTEWATER PUMPING STATION WET WELL, INTERMEDIATE AND MAIN LEVEL FLOOR PLAN ELECTRICAL DEMOLITION

CONSULTANT ACAD DWG. No.: E1.0
SHEET 7 OF 14
CITY DWG. NO. 8752