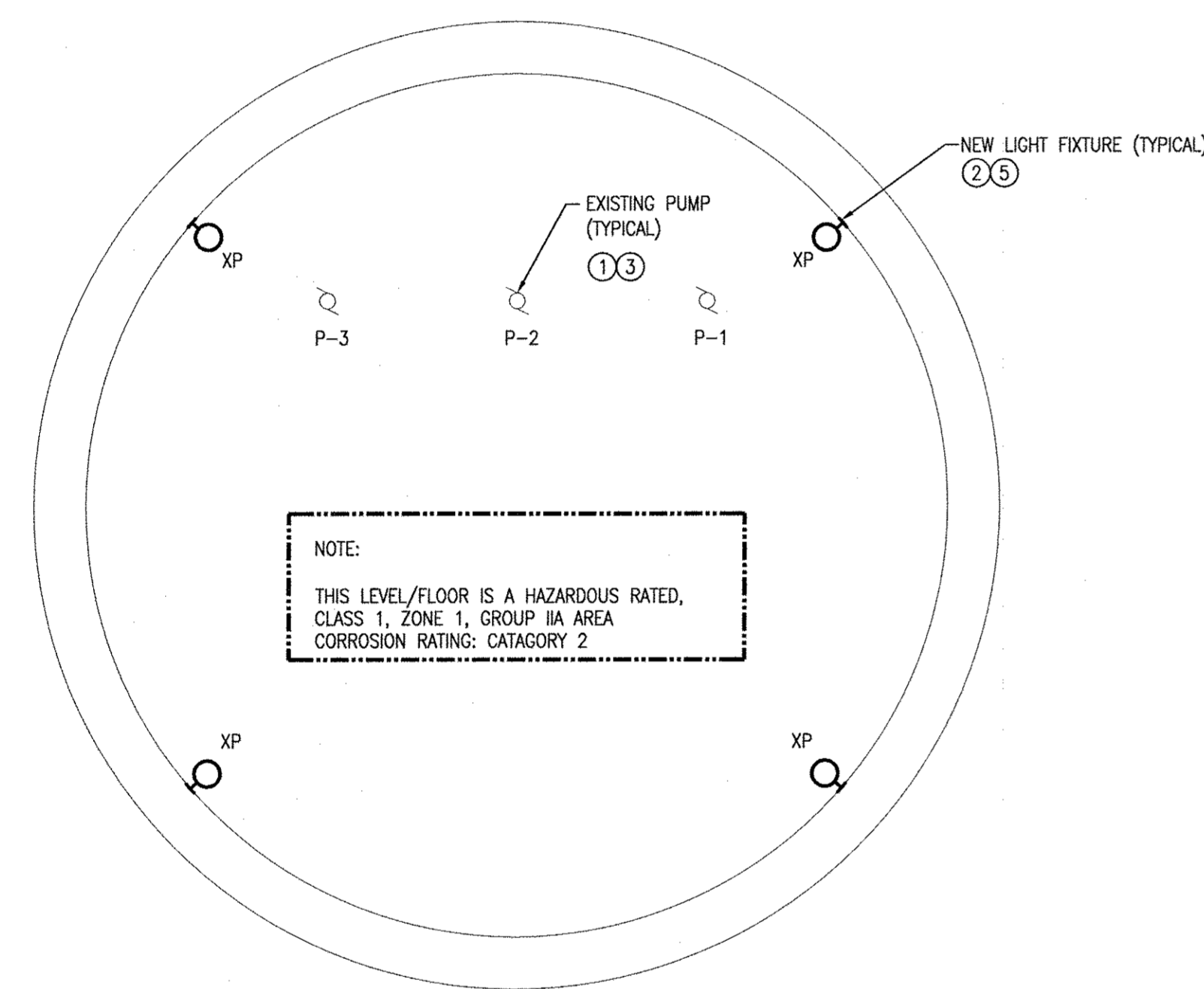


GENERAL NOTES

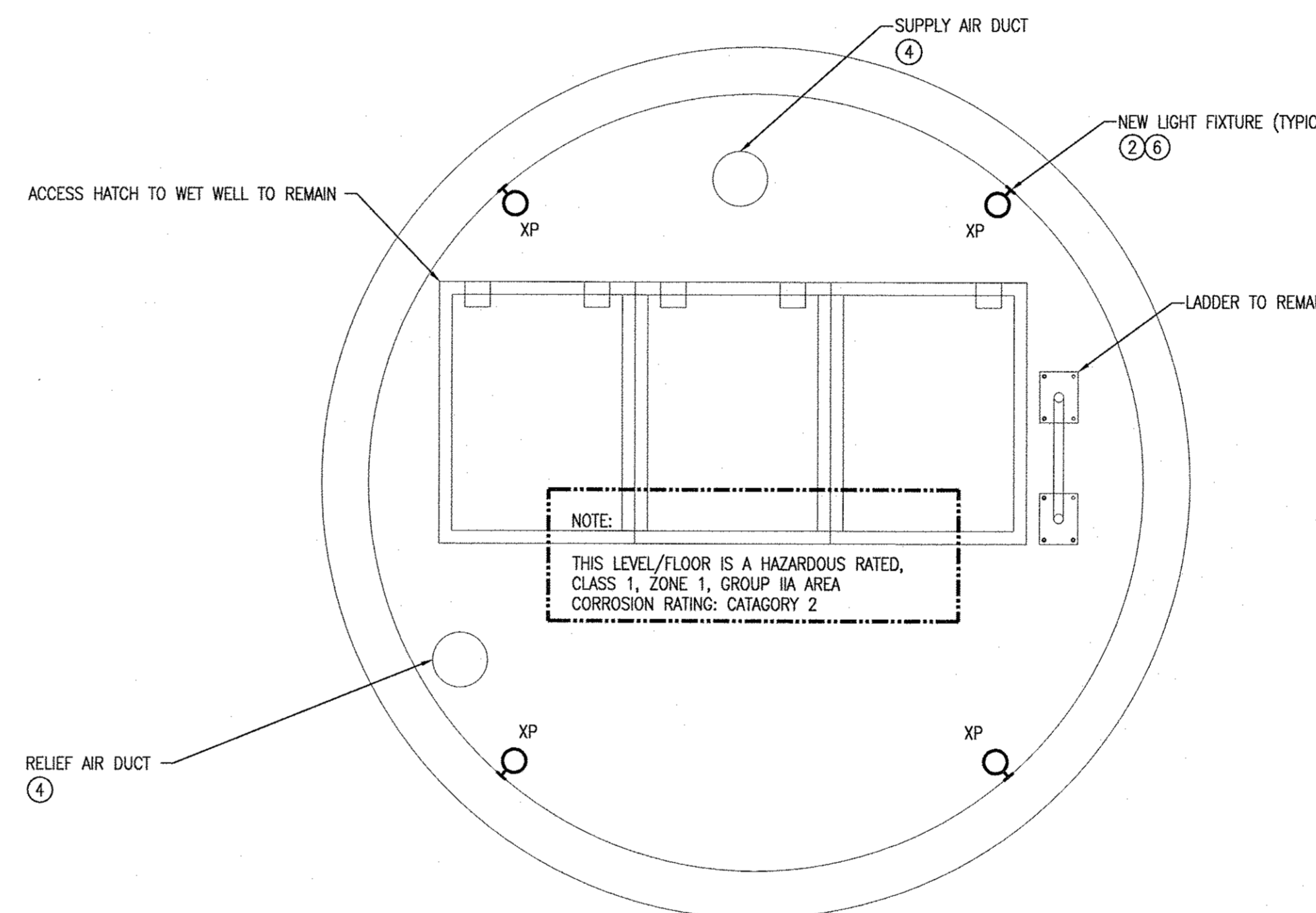
1. PROVIDE TOTALLY NEW WIRING AND ACCESSORIES SUCH AS CONNECTORS, CONDUITS, FITTINGS, JUNCTION BOXES, ELBOWS, ETC. FOR NEW AND EXISTING RELOCATED EQUIPMENT.
2. NEW CABLES, CONNECTORS, CONDUITS, FITTINGS, JUNCTION BOXES, ELBOWS, ETC. THAT ARE USED IN THE WET WELL AND THE INTERMEDIATE LEVEL SHALL BE APPROVED FOR USE IN EXPLOSION HAZARDOUS AREA CLASS 1, ZONE 1, GROUP IIA AND CORROSION CATEGORY 2.
3. NEW WIRING SHALL BE OF THE SAME CONDUCTOR SIZE, SAME CONFIGURATION (NUMBER OF CONDUCTORS PER CABLE/CONDUIT) AND INSULATION LEVEL AS THE ORIGINAL REMOVED WIRING UNLESS OTHERWISE NOTED. THE CONTRACTOR SHALL DETERMINE ON SITE THE SIZE AND THE TYPE OF THE ORIGINAL WIRING THAT IS GOING TO BE REPLACED PRIOR TO REMOVAL.
4. THOROUGHLY EXAMINE EXISTING ELECTRICAL EQUIPMENT AND WIRING. REPORT ANY ELECTRICAL CODE ISSUES AND DAMAGE WITH THE WIRING AND THE EXISTING ELECTRICAL EQUIPMENT TO THE CONTRACT ADMINISTRATOR.
5. RE-WIRE NEW OR RELOCATED EQUIPMENT TO THE SAME CIRCUIT OR ELECTRICAL EQUIPMENT AS IN ORIGINAL INSTALLATION.

DRAWING NOTES #

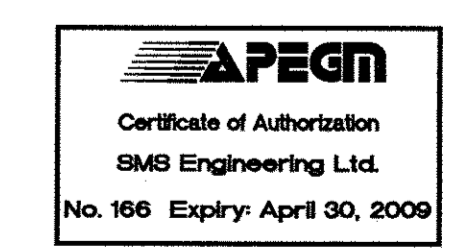
1. EXTEND EXISTING SALVAGED WIRING AND RE-WIRE EXISTING PUMP AS REQUIRED. SEE DRAWING E4.0.
2. REPLACE EXISTING LIGHT FIXTURE, WIRING AND CONDUIT WITH NEW. RE-WIRE NEW FIXTURE TO NEW LIGHT SWITCH ON MAIN FLOOR.
3. EXISTING WIRING IN WET WELL AND ON INTERMEDIATE FLOOR TO REMAIN.
4. REFER TO MECHANICAL DRAWING.
5. PROVIDE NEW 15A-1P BREAKER IN PANEL '2A' FOR WET WELL LIGHTING.
6. PROVIDE NEW 15A-1P BREAKER IN PANEL '2A' FOR INTERMEDIATE FLOOR LIGHTING.



1 WET WELL PLAN - NEW CONSTRUCTION
SCALE: 1:20
E2.0



2 INTERMEDIATE FLOOR PLAN - NEW CONSTRUCTION
SCALE: 1:20
E2.0



THE CITY OF WINNIPEG
WATER AND WASTE DEPARTMENT
Winnipeg

REHABILITATION OF BOURNAIS WASTEWATER PUMPING STATION WET WELL AND INTERMEDIATE LEVEL FLOOR PLAN ELECTRICAL NEW CONSTRUCTION

CONSULTANT ACAD DWG. No.: **E2.0**
SHEET **8** OF **14**
CITY DWG. NO. **8753**

G.B.M. ELEV.			SMS ENGINEERING SMS Engineering Ltd. Consulting Engineers 1710 St. Charles Street Winnipeg MB Canada R3M 0K9 Telephone 204.775.0291 Fax 204.772.2153 sms@smseng.com			ENGINEER'S SEAL		
DESIGNED BY: SB						CHECKED BY: SB		
DRAWN BY: IN			APPROVED BY: BDL			BID OPPORTUNITY #: 901-2008		
2 ISSUED FOR BID OPPORTUNITY (REV) 31.03.09 SB			HOR. SCALE AS NOTED			RELEASED FOR CONSTRUCTION		
2 ISSUED FOR BID OPPORTUNITY 27.03.09 SB			VERT. SCALE AS NOTED			SIGNED BY: K.ZUREK		
1 ISSUED FOR 99% OWNER REVIEW 24.02.09 SB			DATE MARCH 2009			DATE MARCH 27, 2009		
No. REVISIONS			DATE BY			PLOT DATE: MARCH 27, 2009		