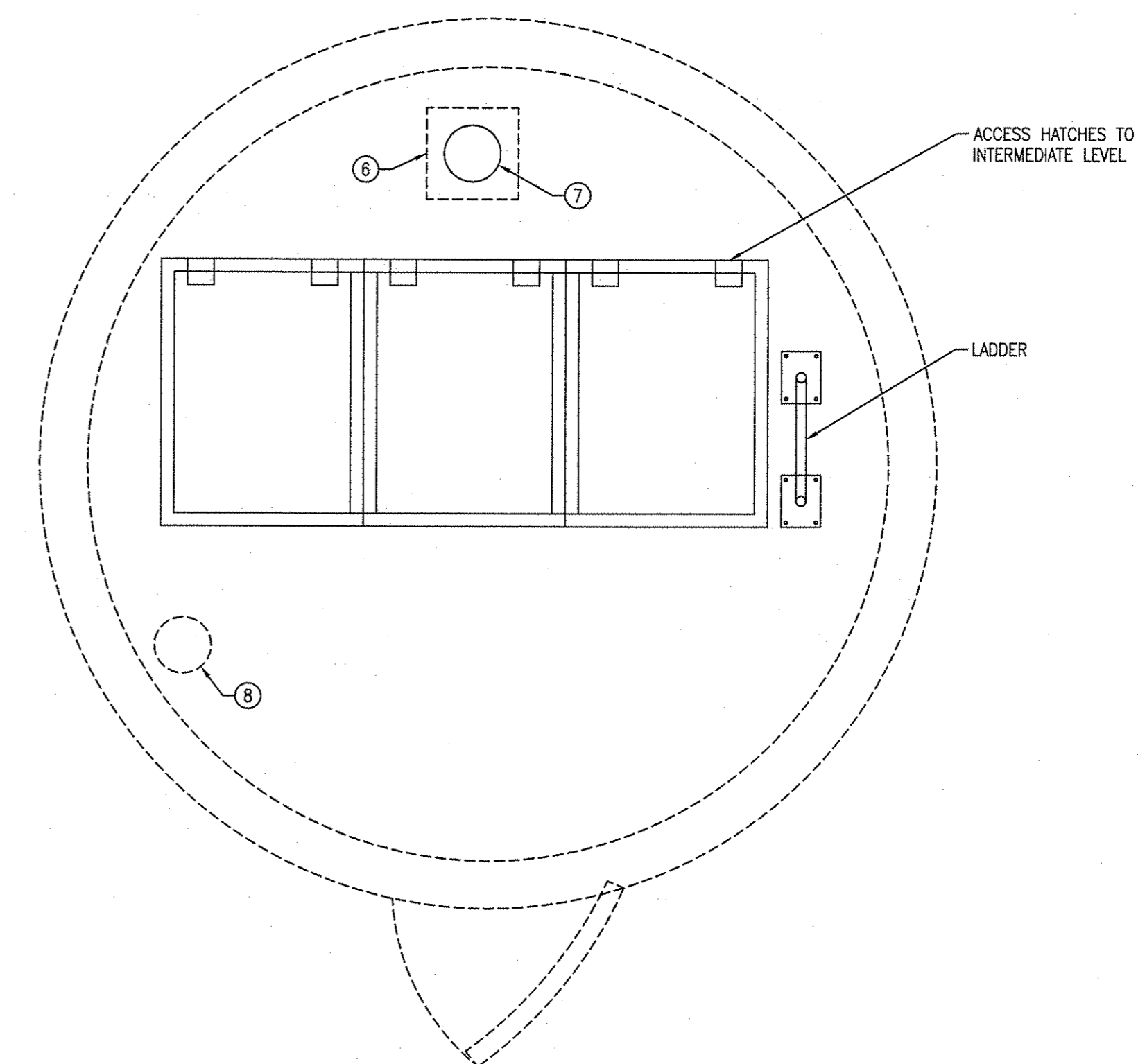
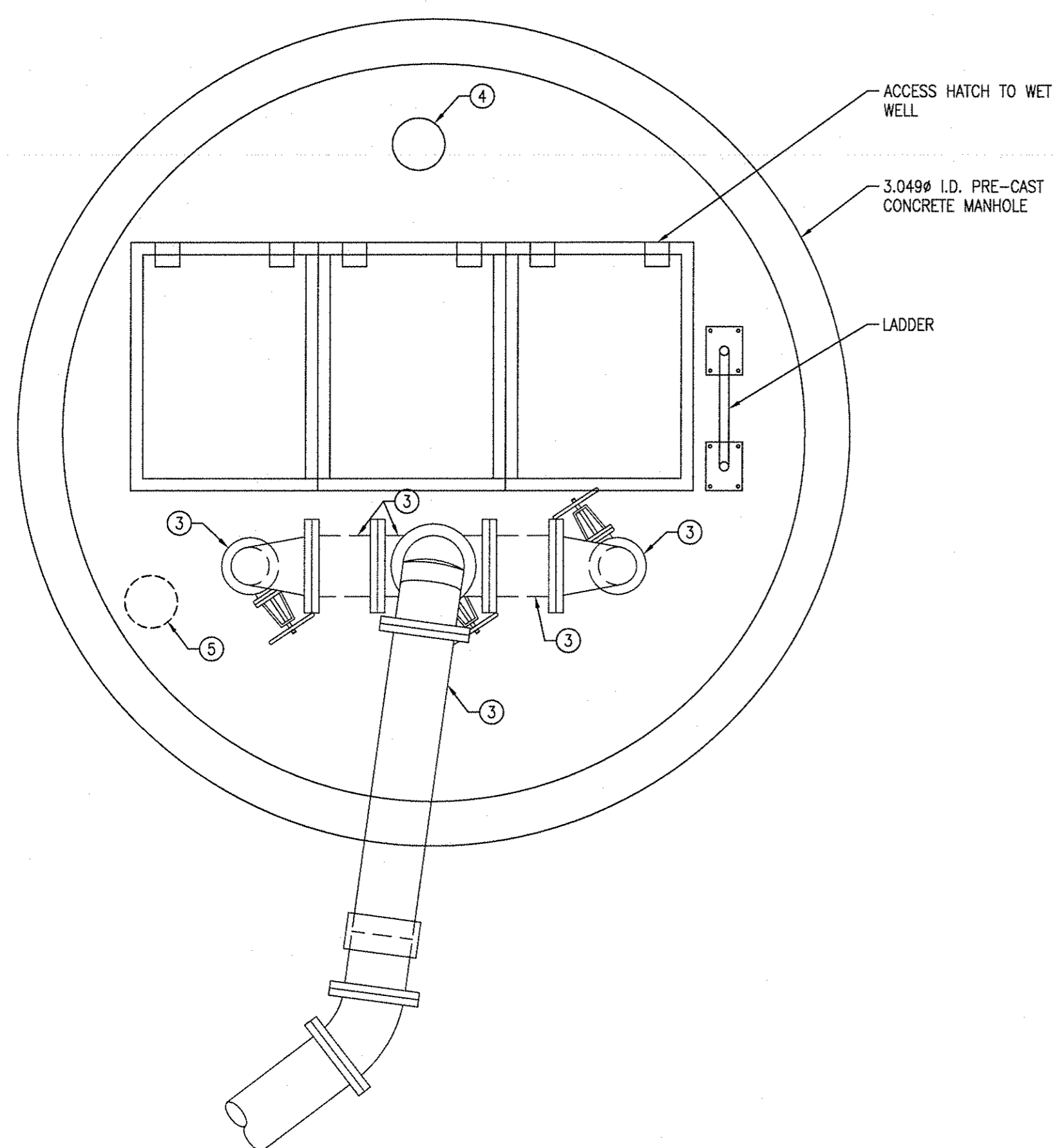


**1 WET WELL PLAN - DEMOLITION**  
M1.0 SCALE: 1:20



**3 MAIN LEVEL FLOOR PLAN - DEMOLITION**  
M1.0 SCALE: 1:20



**2 INTERMEDIATE FLOOR PLAN - DEMOLITION**  
M1.0 SCALE: 1:20

**GENERAL NOTES**

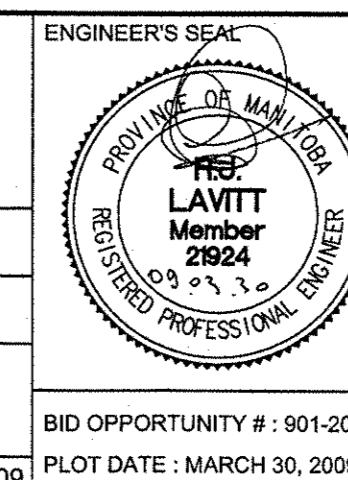
- A. DO NOT SCALE THIS DRAWING. CONTRACTOR SHALL VERIFY ALL DIMENSIONS PRIOR TO INSTALLATION AND REPORT ANY DISCREPANCY TO THE CONTRACT ADMINISTRATOR.
- B. EXISTING MECHANICAL EQUIPMENT AND PIPING SHOWN BASED ON RECORD DRAWINGS AND ARCHITECTURAL DRAWINGS. CONTRACTOR SHALL PERFORM A SITE WALK-THROUGH TO CONFIRM "AS-FOUND" CONDITION.

**DRAWING NOTES**

- 1. EXISTING PUMP TO REMAIN.
- 2. EXISTING PIPE TO REMAIN.
- 3. EXISTING PIPES AND VALVES TO REMAIN.
- 4. EXISTING 200# WET WELL SUPPLY AIR DUCTWORK TO REMAIN.
- 5. REMOVE EXISTING 200# WET WELL RELIEF AIR DUCTWORK. OPENING TO BE SEALED BY CONTRACTOR.
- 6. REMOVE EXISTING VENTILATION FAN, DUCTWORK, INTAKE LOUVER ETC. RETAIN FOR REINSTALLATION IN NEW STRUCTURE. DIVISION 16 TO DISCONNECT AND REMOVE WIRES.
- 7. EXISTING 200# WET WELL SUPPLY AIR DUCTWORK TO REMAIN.
- 8. REMOVE EXISTING 200# WET WELL RELIEF AIR DUCTWORK. OPENING TO BE SEALED BY CONTRACTOR.



G.B.M. ELEV.			
<b>SMS ENGINEERING</b> <small>SMS Engineering Ltd. Consulting Engineers          770 Brandon Street, Winnipeg, MB, Canada R4W 0R3          Telephone: 204.775.0991 Fax: 204.772.2153          sms@smseng.com</small> 07-213-01			
4	ISSUED FOR BID OPPORTUNITY (REV.)	30.03.09	RL
3	ISSUED FOR BID OPPORTUNITY	27.03.09	RL
2	ISSUED FOR OWNER REVIEW	19.02.09	RL
1	ISSUED FOR REVIEW	28.11.08	RL
No. REVISIONS		DATE	BY
		NOV. 2008	DATE
		MARCH 27, 2009	DATE



**THE CITY OF WINNIPEG**  
WATER AND WASTE DEPARTMENT  
Winnipeg

**REHABILITATION OF BOURNAIS WASTEWATER PUMPING STATION**

**MECHANICAL DEMOLITION**

CONSULTANT ACAD DWG. No.: **M1.0**  
SHEET **12** OF **14**  
CITY DWG. NO. **8757**

BID OPPORTUNITY #: 901-2008  
PLOT DATE: MARCH 30, 2009