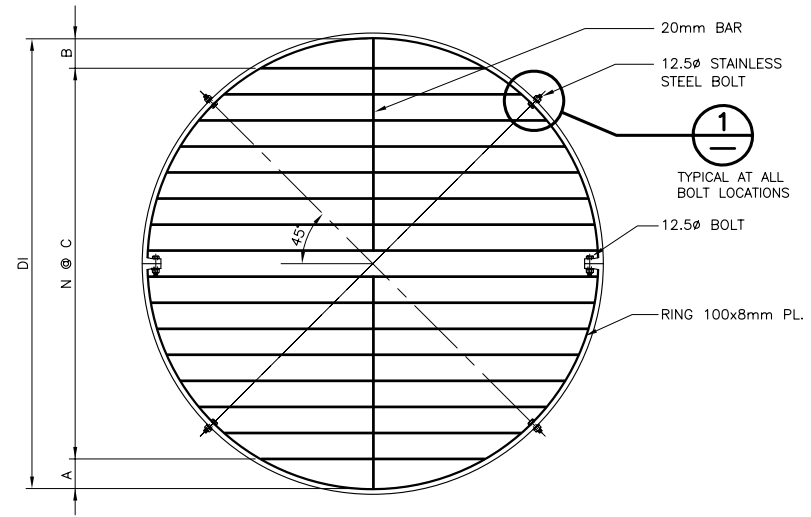
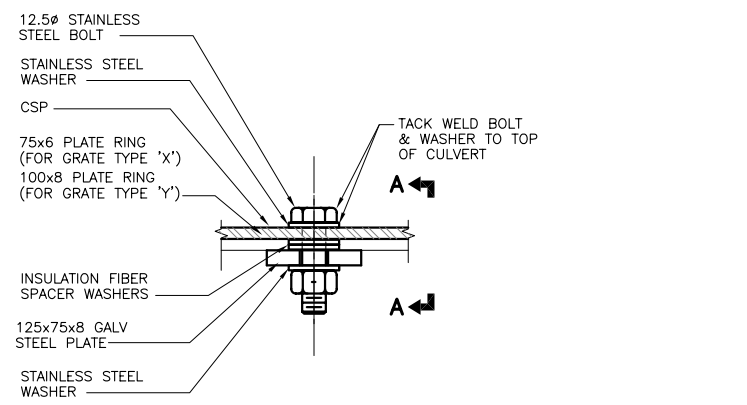


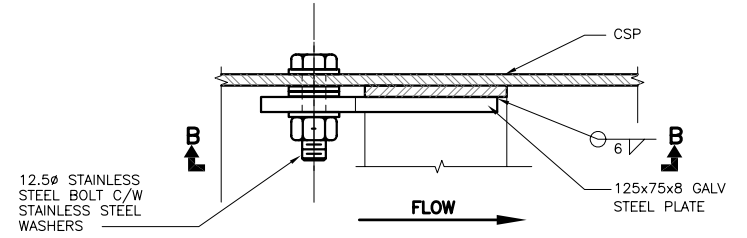
STANDARD PIPE END DETAILS



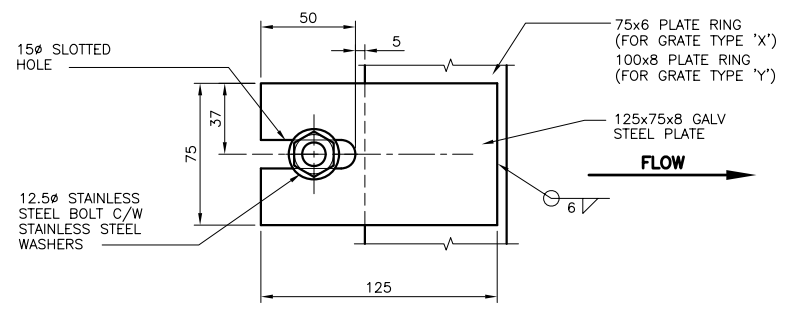
GRATING TYPE 'Y'



DETAIL 1
SCALE: 1:2



SECTION A-A
SCALE: 1:2

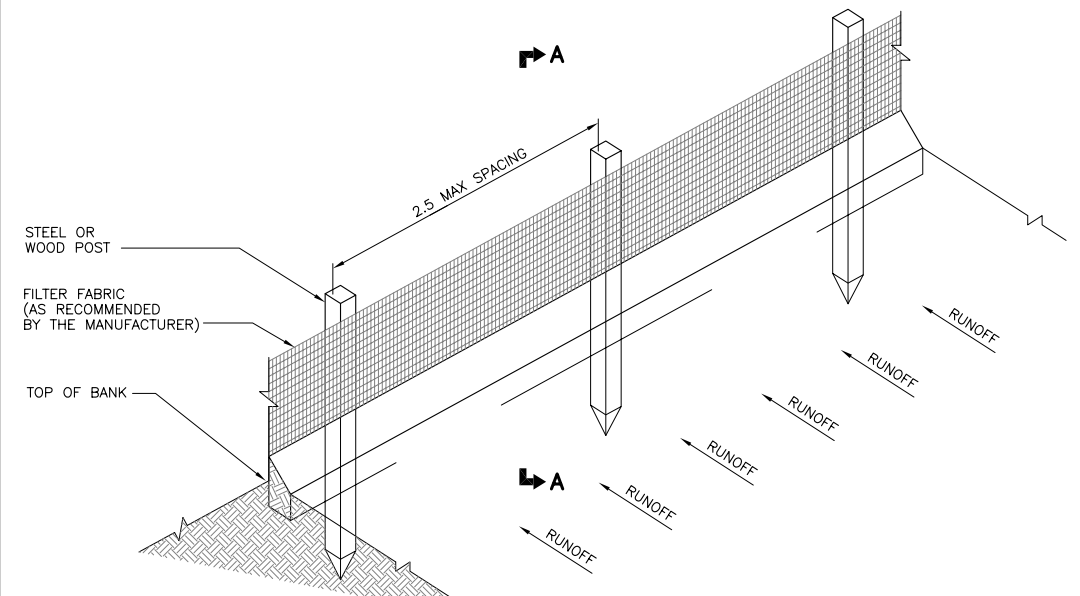


SECTION B-B
SCALE: 1:2

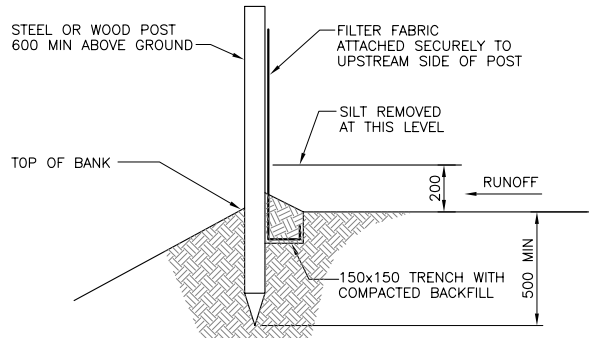
LOCATION	PIPE		END CONDITION	GRATING							
	DIAMETER D	MATERIAL		DIAMETER D1	TYPE	BAR DIA.	A	B	C	N	WEIGHT (lbs)
RUE DESPINS (RR-54)	1400	CSP	1	1384±	Y	20	180	184	170	6	110
RUE DESPINS (RR-55)	1200	CSP	1	1185±	Y	20	145	150	130	7	72
AVENUE DE LA CAHEDRALE(RR-55.1)	1200	CSP	1	1185±	Y	20	145	150	130	7	72

NOTE:
 1. ALL PLATES AND BARS ARE CSA G40.21-300W.
 2. ALL COMPONENTS ARE GALVANIZED.
 3. ALL BOLTS TO BE TYPE 316 STAINLESS STEEL CONFORMING TO ASTM A320 GRADE BBM

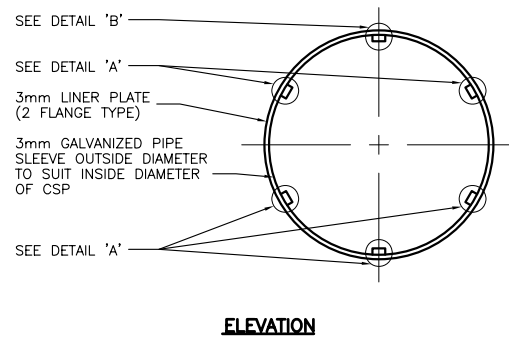
STANDARD DEBRIS GRATE DETAILS



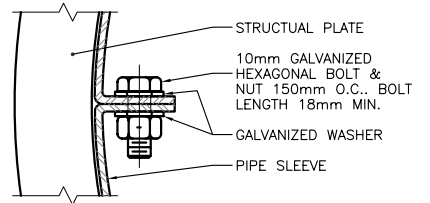
ISOMETRIC DETAIL
SCALE: N.T.S.



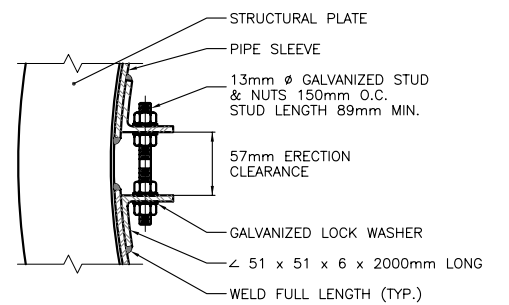
SECTION A-A
SCALE: 1:20
SILT FENCE DETAILS



ELEVATION



DETAIL 'A'



DETAIL 'B'

INTERNAL SLIP JOINT DETAILS

SCALE: N.T.S.

APEN
 Certificate of Authorization
 KGS Group
 No. 245 Date: 16/12/08

LOCATION APPROVED UNDERGROUND STRUCTURES		B.M. ELEV.	
SUPV. U/G STRUCTURES COMMITTEE	DATE		
NOTE: LOCATION OF UNDERGROUND STRUCTURES AS SHOWN ARE BASED ON THE BEST INFORMATION AVAILABLE BUT NO GUARANTEE IS GIVEN THAT ALL EXISTING UTILITIES ARE SHOWN OR THAT THE GIVEN LOCATIONS ARE EXACT. CONFIRMATION OF EXISTENCE AND EXACT LOCATION OF ALL SERVICES MUST BE OBTAINED FROM THE INDIVIDUAL UTILITIES BEFORE PROCEEDING WITH CONSTRUCTION.			
0	ISSUED FOR TENDER	16/12/08	RJH
NO.	REVISIONS	DATE	BY

KGS GROUP CONSULTING ENGINEERS & PROJECT MANAGERS WINNIPEG (204) 896-1209 THUNDER BAY (807) 345-2233		ENGINEER'S SEAL
DESIGNED BY: RJH	CHECKED BY: RJH	ORIGINAL SIGNED BY: R.J. HOUSTON 16/12/08
DRAWN BY: DW	APPROVED BY:	
HOR. SCALE: AS NOTED	RELEASED FOR CONSTRUCTION:	CONSULTANT DRAWING NO. 08-0107-12_03
DATE: 08/12/08	DATE:	

THE CITY OF WINNIPEG
 WATER & WASTE DEPARTMENT

2008 OUTFALL REPAIRS

MISCELLANEOUS DETAILS

SHEET 03 OF 09
 CAD FILE DRAWING NUMBER RR_55.1_OUTFALL DETAILS
 CITY DRAWING NUMBER LD-5240

FILE NO. P:\PROJECTS\2008\08-0107-12\DWGS\MUN\RR_55.1_OUTFALL DETAILS DETAILS PLOT.DWG
 PLOT. 1:1 A1