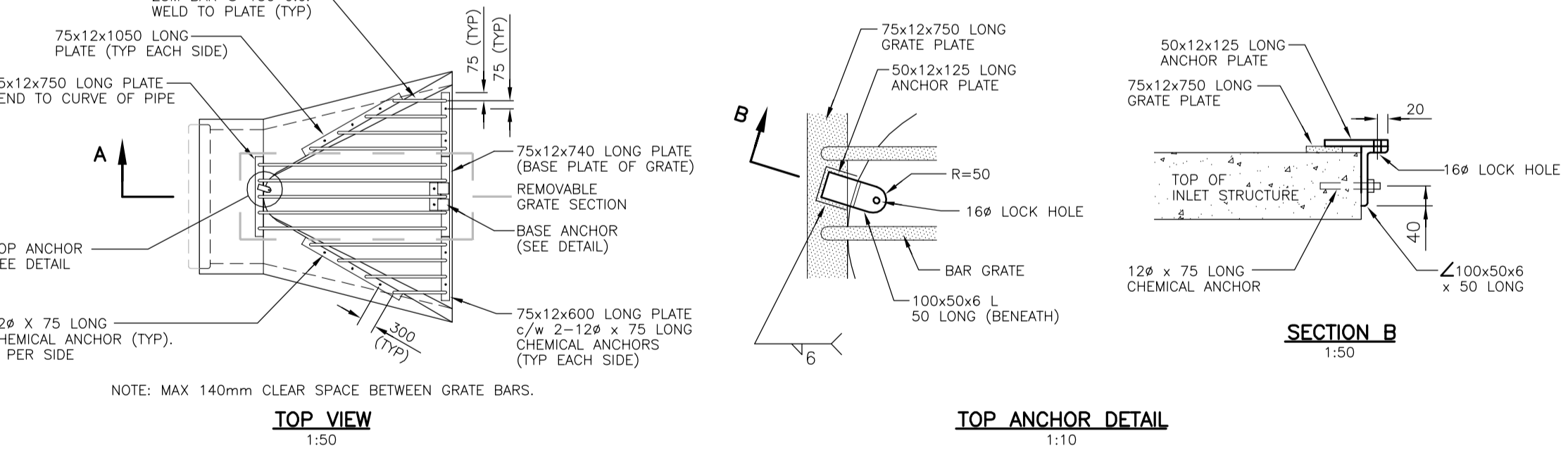
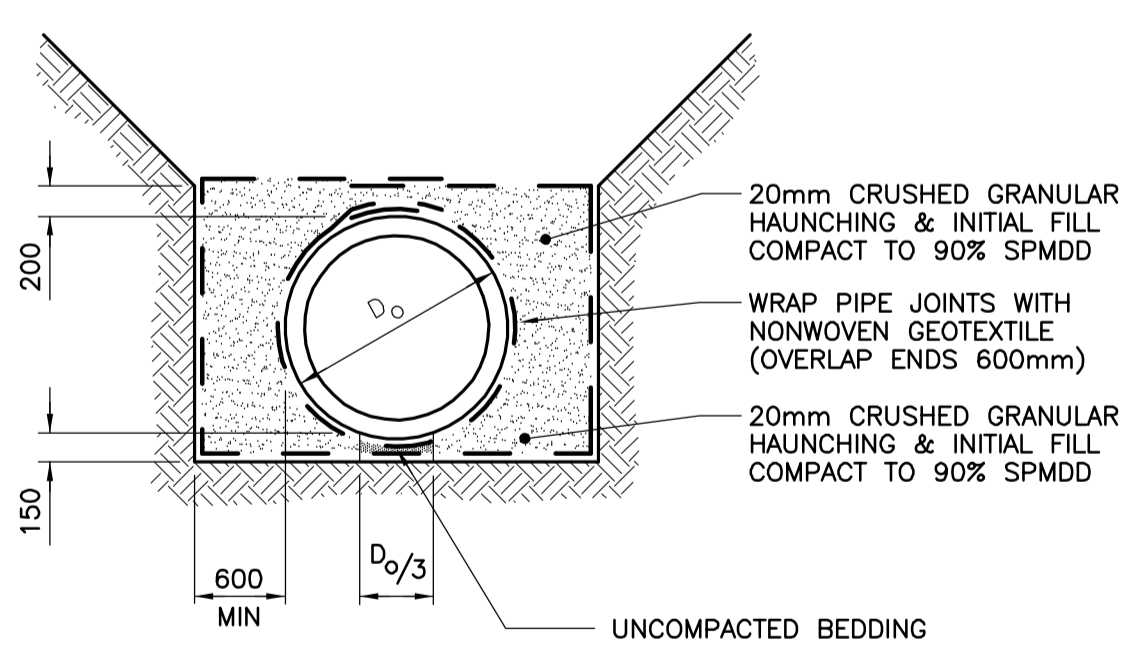
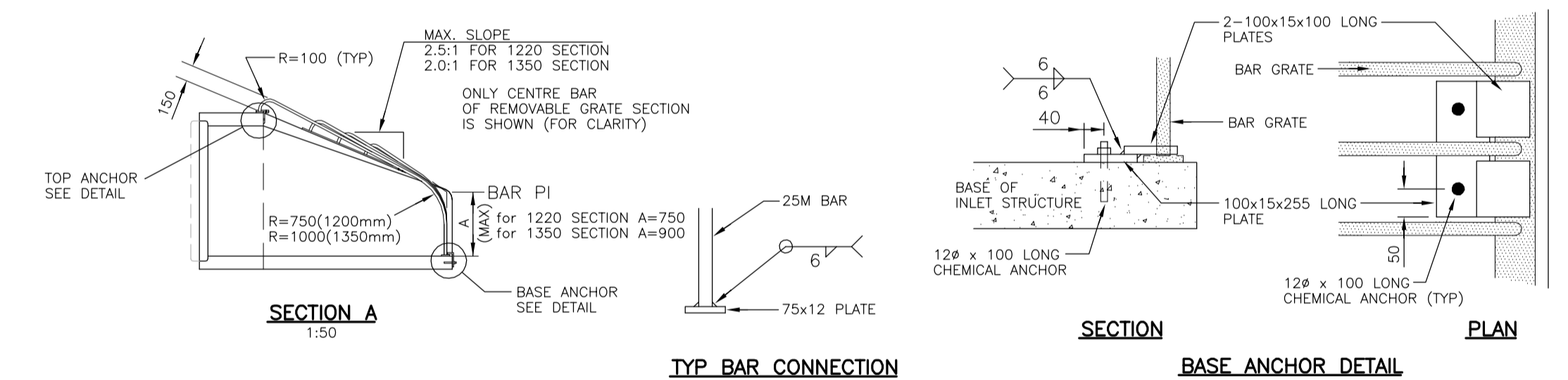
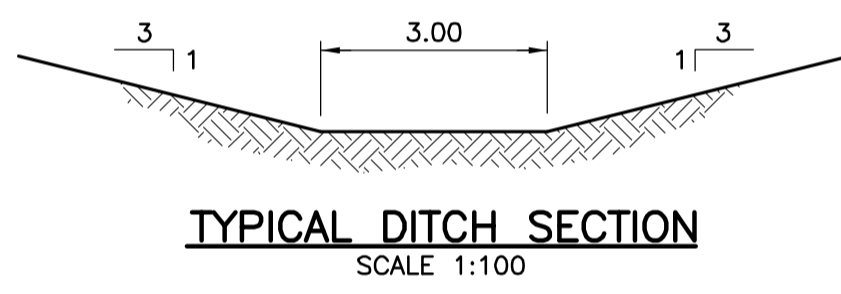
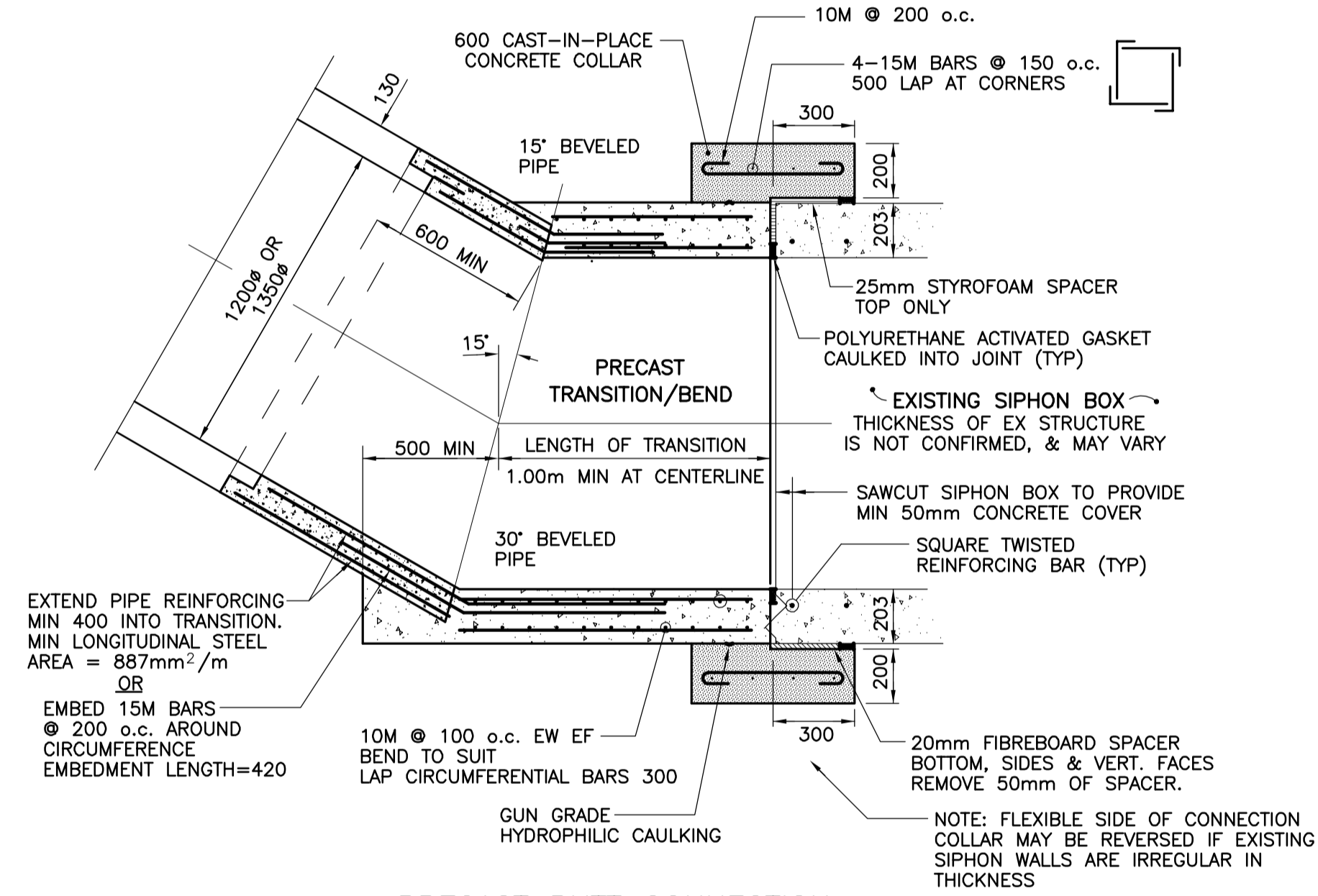
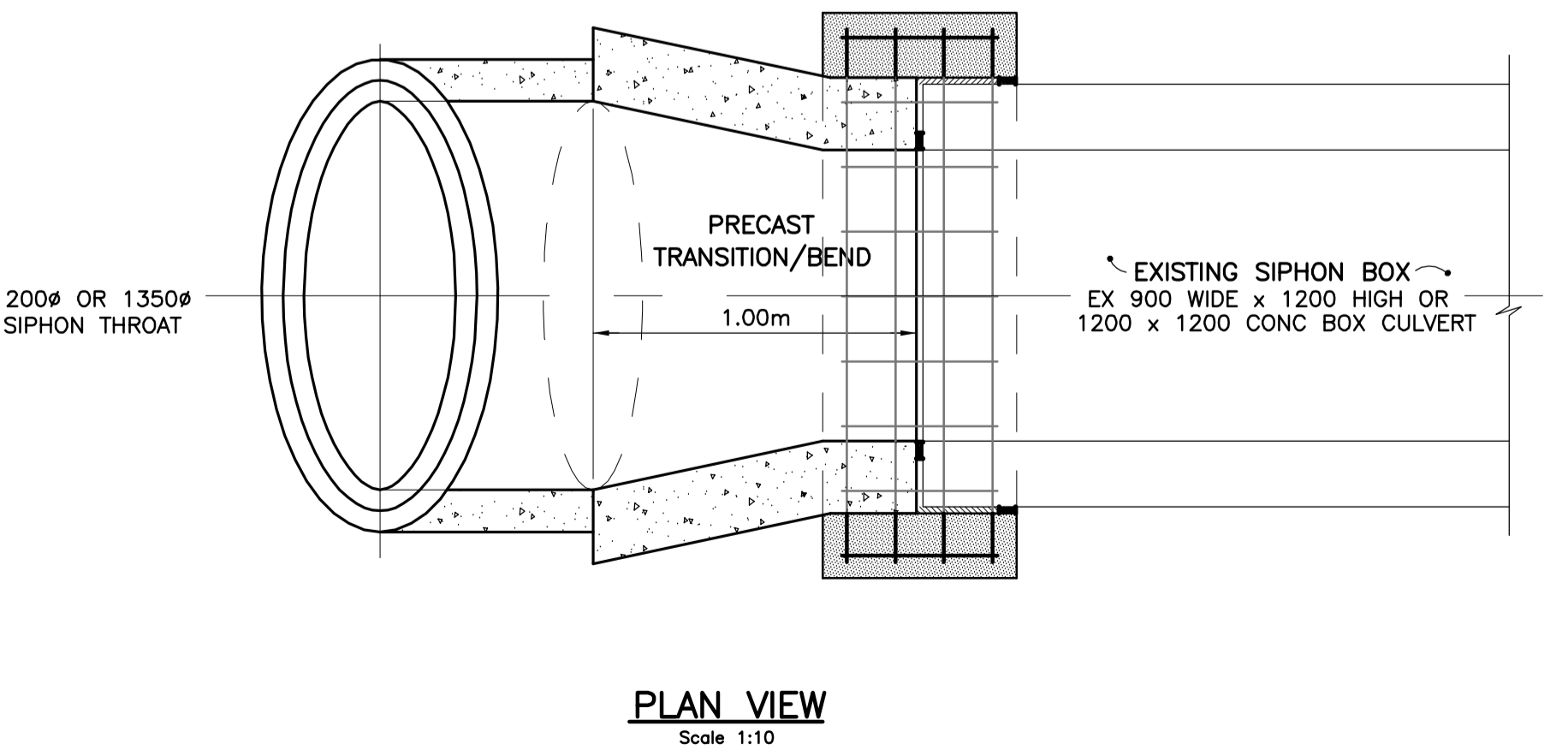


SIPHON SIZES		
SITE	EXISTING	PROPOSED
1	1220 x 1220	1350Ø
2	1220 x 1220	1350Ø
3	1220 x 915	1200Ø

- NOTES:**
- EXCAVATION/BACKFILLING IN PROXIMITY OF AQUEDUCT TO PROCEED SIMULTANEOUSLY ON BOTH SIDES OF AQUEDUCT TO MAINTAIN BALANCED LOADING CONDITIONS. MAXIMUM DIFFERENCE IN GRADE BETWEEN SIDES TO BE 0.6m.
 - POSITION SAWCUT TO PROVIDE MIN 50mm CONCRETE COVER ON EXISTING REINFORCING BARS.
 - WRAP EXTERIOR OF ALL PIPE JOINTS WITH 600 WIDE GEOTEXTILE. OVERLAP ENDS 600mm.
 - MANUFACTURED PRE-CAST CONCRETE FLARED END SECTIONS, 30° BENDS & SQUARE TO ROUND 30° TRANSITION BENDS (SUPPLIED BY OTHERS) ARE AVAILABLE FOR PICK-UP AT THE CITY OF WINNIPEG, DAWSON ROAD YARD.



SIPHON INLET SAFETY GRATE FOR 1200Ø OR 1350Ø FLARED END SECTION



METRIC
WHOLE NUMBERS INDICATE MILLIMETRES
DECIMALIZED NUMBERS INDICATE METRES

BID OPPORTUNITY No. 926-2008

<p>AECOM</p> <p>DESIGNED BY: MGM/MAG</p> <p>DRAWN BY: MAG</p> <p>HOR. SCALE: AS NOTED</p> <p>VERTICAL: AS NOTED</p>	<p>© 2008 UMA ENGINEERING LTD. ALL RIGHTS RESERVED. THIS DOCUMENT IS PROTECTED BY COPYRIGHT LAW AND MAY NOT BE REPRODUCED OR MODIFIED IN ANY MANNER OR FOR ANY PURPOSE EXCEPT WITH THE WRITTEN PERMISSION OF UMA ENGINEERING LTD. DOING BUSINESS AS AECOM (AECOM) OR A PARTY TO WHOM ITS COPYRIGHT HAS BEEN ASSIGNED. AECOM ACCEPTS NO RESPONSIBILITY, AND DENIES ANY LIABILITY WHATSOEVER, TO ANY PARTY THAT USES, REPRODUCES, MODIFIES, OR RELIES ON THIS DOCUMENT WITHOUT AECOM'S EXPRESS WRITTEN CONSENT.</p> <p>CHECKED Original Signed By: FMI</p> <p>APPROVED Original Signed By: Bryan Weber</p> <p>RELEASED FOR Original Signed By: Tim Shanks</p> <p>DATE: 19 12 2008</p>	<p>ENGINEER'S SEAL</p> <p>ORIGINAL SEALED BY: Andy Nagy 19/12/2008</p> <p>CONSULTANT DRAWING NO. 06 D265-241-00</p>	<p> THE CITY OF WINNIPEG</p> <p>Winnipeg WATER AND WASTE DEPARTMENT</p> <p>SHOAL LAKE AQUEDUCT DRAINAGE SIPHON REPAIRS MILES 50.31, 53.75 & 55.23</p> <p>MISCELLANEOUS DETAILS (1)</p>	<p>SHEET 6 OF 7</p>
				<p>UMA Engineering Ltd. (MB)</p> <p>No. 256 Date: Dec 19, 2008</p>