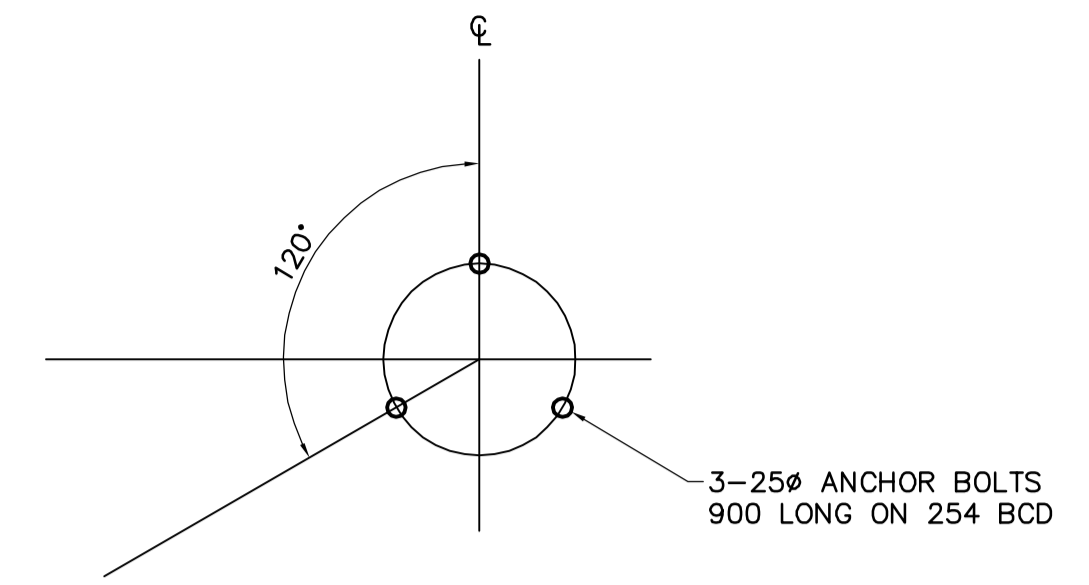
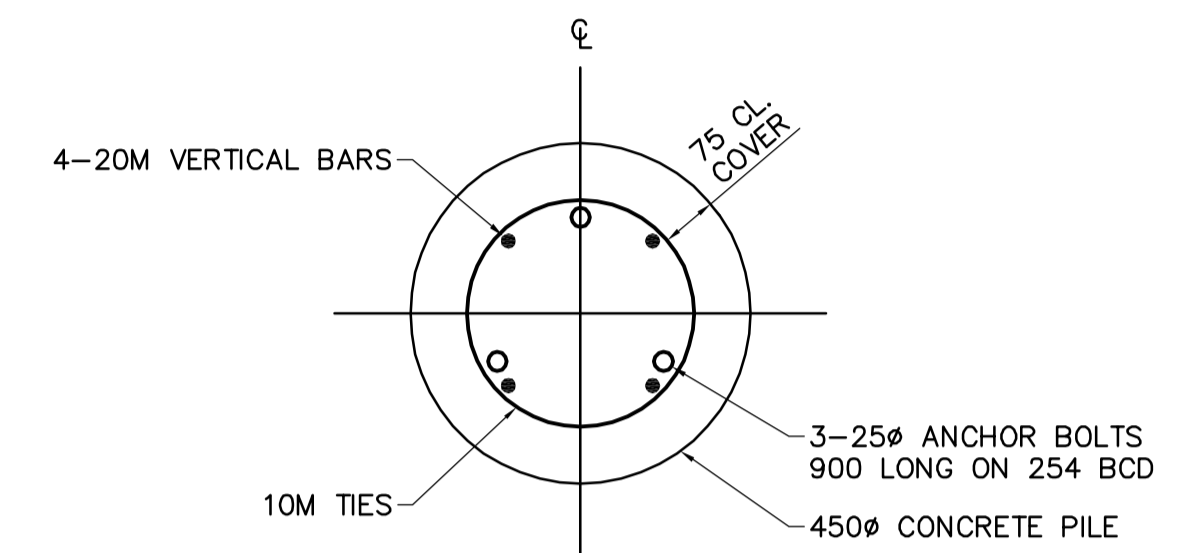


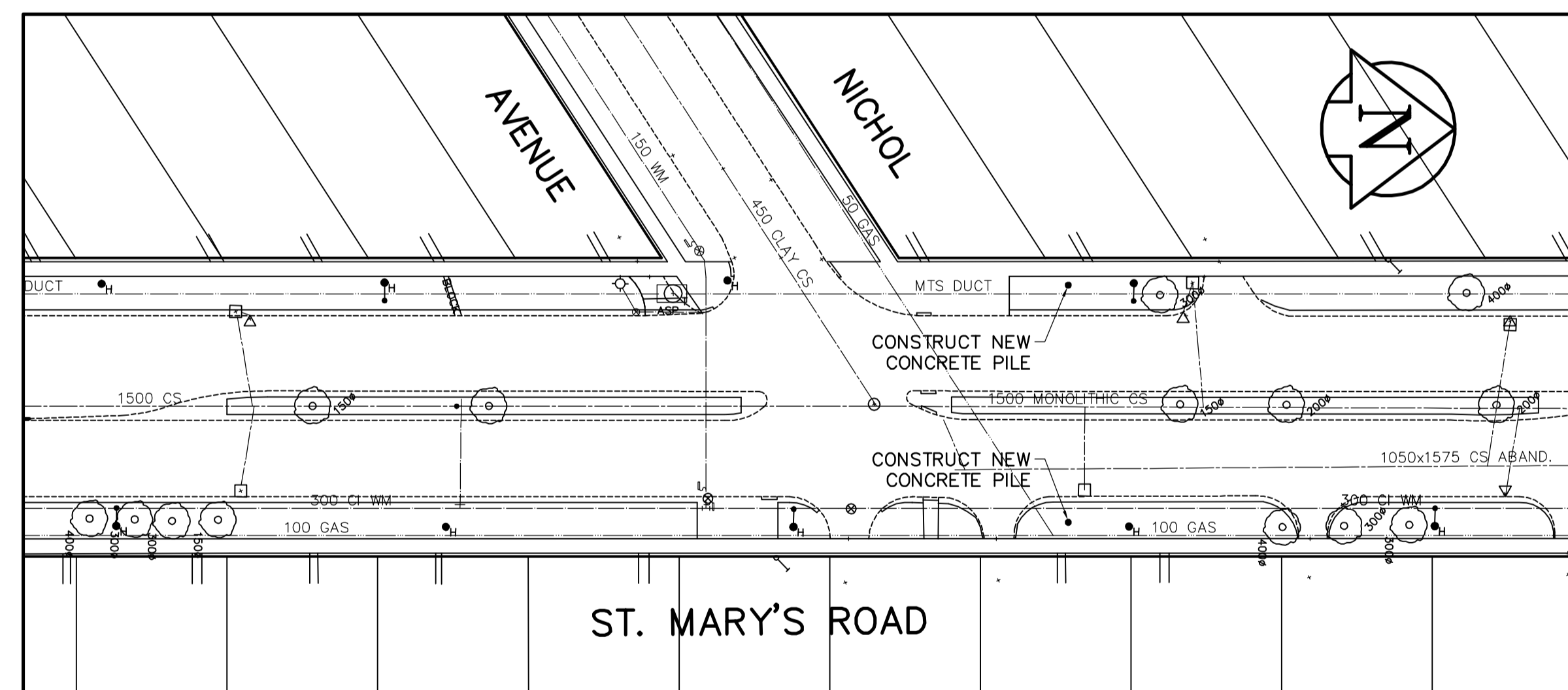
TYPICAL MEDIAN PLANTER CURB
SCALE H=1:10 V=1:10



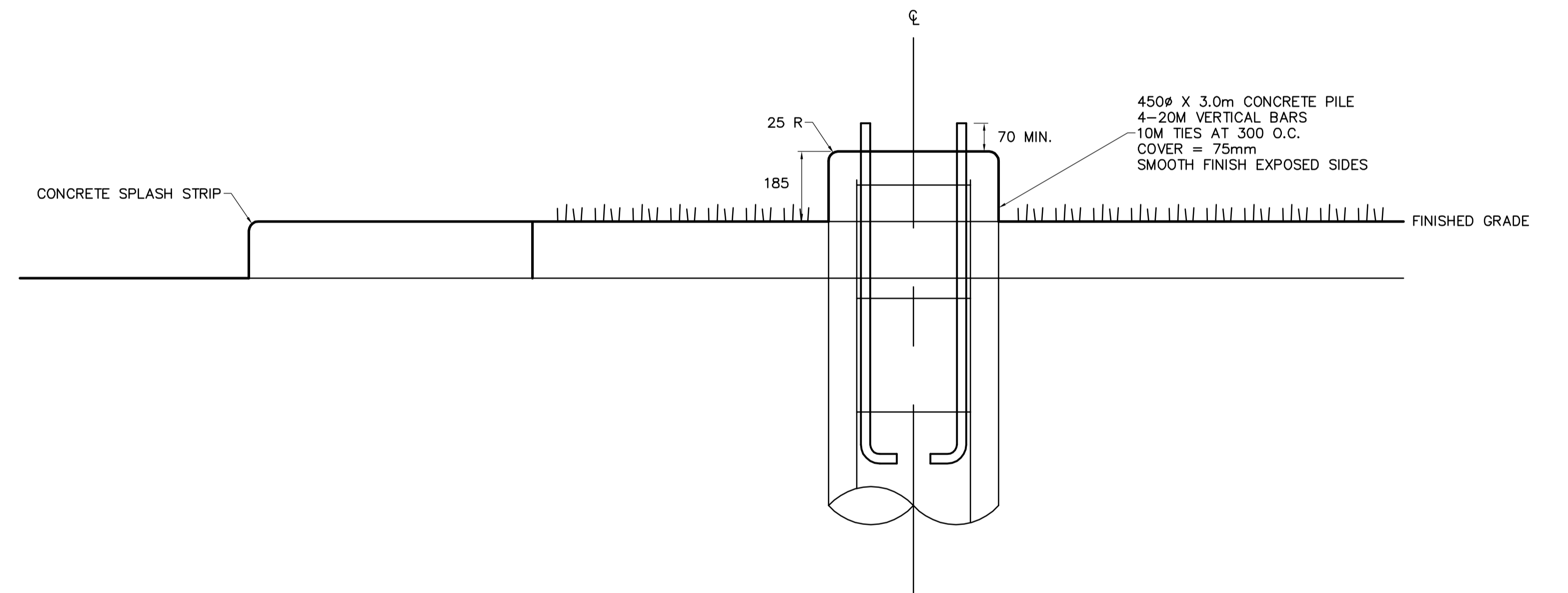
ANCHOR BOLTS LAYOUT



PLAN



CONCRETE PILE LOCATIONS AT ST. MARY'S ROAD AND NICHOL AVENUE
SCALE 1:500



TYPICAL CAST-IN-PLACE CONCRETE PILE
SCALE H=1:10 V=1:10

APEGM
Certificate of Authorization
Earth Tech Canada Inc.
No. 730 Expiry: April 30, 2008

METRIC
WHOLE NUMBERS INDICATE MILLIMETRES
DECIMALIZED NUMBERS INDICATE METRES

| 150 mm W.M. | WATERMAIN | 150 mm W.M. | HYDRO | HYDRO | PROFILE | PROFILE |
|-------------|---------------------|--------------|-------------------|-------------------|----------|--------------------|
| ◇ | HYDRANT | + | M.T.S. | M.T.S. | □ | WEST GUTTER |
| ⊙ | VALVE | ⊙ | CONCRETE | CONCRETE | ○ | EAST GUTTER |
| ⊙ | LAND DRAINAGE SEWER | 300mm L.D.S. | ASPHALT | ASPHALT | ▣ | WEST MEDIAN GUTTER |
| ⊙ | WASTEWATER SEWER | 250mm W.W.S. | PROPERTY LINE | PROPERTY LINE | ● | EAST MEDIAN GUTTER |
| ○ | MANHOLE | ● | SURVEY BAR | SURVEY BAR | | |
| □ | CATCH BASIN | 32.750 | ELEVATION | ELEVATION | | |
| ▽ | CURB INLET | 300# | TREE | TREE | | |
| + | JUNCTIONS | | SIDEWALK RAMP | SIDEWALK RAMP | | |
| ⊙ | TEST HOLE (07-R-03) | | CONCRETE SIDEWALK | CONCRETE SIDEWALK | | |
| ⊙ | GAS | | FENCE | FENCE | | |
| EXISTING | LEGEND - PLAN | PROPOSED | EXISTING | LEGEND - PLAN | PROPOSED | EXISTING |
| | | | | | | LEGEND - PROFILE |
| | | | | | | PROPOSED |

LOCATION APPROVED UNDERGROUND STRUCTURES

SUPV. U/G STRUCTURES COMMITTEE DATE

NOTE:
LOCATION OF UNDERGROUND STRUCTURES AS SHOWN ARE BASED ON THE BEST INFORMATION AVAILABLE, BUT NO GUARANTEE IS GIVEN THAT ALL EXISTING UTILITIES ARE SHOWN OR THAT THE GIVEN LOCATIONS ARE EXACT. CONFIRMATION OF EXISTENCE AND EXACT LOCATION OF ALL SERVICES MUST BE OBTAINED FROM THE INDIVIDUAL UTILITIES BEFORE PROCEEDING WITH CONSTRUCTION.

| | | | |
|--------------|--|-----------|---------------|
| B.M. 54-003 | TBLT IN E. CONC FOUNDATION OF ST. VITAL CIVIC OFFICE 604 ST MARY'S | | |
| ELEV.232.245 | W. SIDE OF FRONT ENTRANCE | | |
| NO. | REVISIONS | DATE | BY |
| 0 | ISSUED FOR TENDER | MAR 6/08 | KWR |
| A | ISSUED FOR REVIEW | FEB 25/08 | BC |
| DATE | 11/02/2008 | DATE | MARCH 6, 2008 |

EarthTech
A Tyco International Ltd. Company

DESIGNED BY RC CHECKED BY KWR/BC
DRAWN BY RC/RAM APPROVED BY ORIGINAL SIGNED

HOR. SCALE: 1:250
VERTICAL: 1:10

RELEASED FOR CONSTRUCTION BY: ORIGINAL SIGNED

CONSULTANT DRAWING NO. CT12

ENGINEER'S SEAL

PROVINCE OF MANITOBA
ORIGINAL SIGNED
K.W.
RAE
MAR 6/08
REGISTERED PROFESSIONAL ENGINEER

THE CITY OF WINNIPEG
PUBLIC WORKS DEPARTMENT
TRANSPORTATION ENGINEERING DIVISION

ST. MARY'S ROAD
ST. ANNE'S ROAD TO FERMOR AVENUE
CONCRETE REPAIRS AND ASPHALT RESURFACING

CITY DRAWING NUMBER P-3292-12
SHEET 12 OF 12

DETAILS