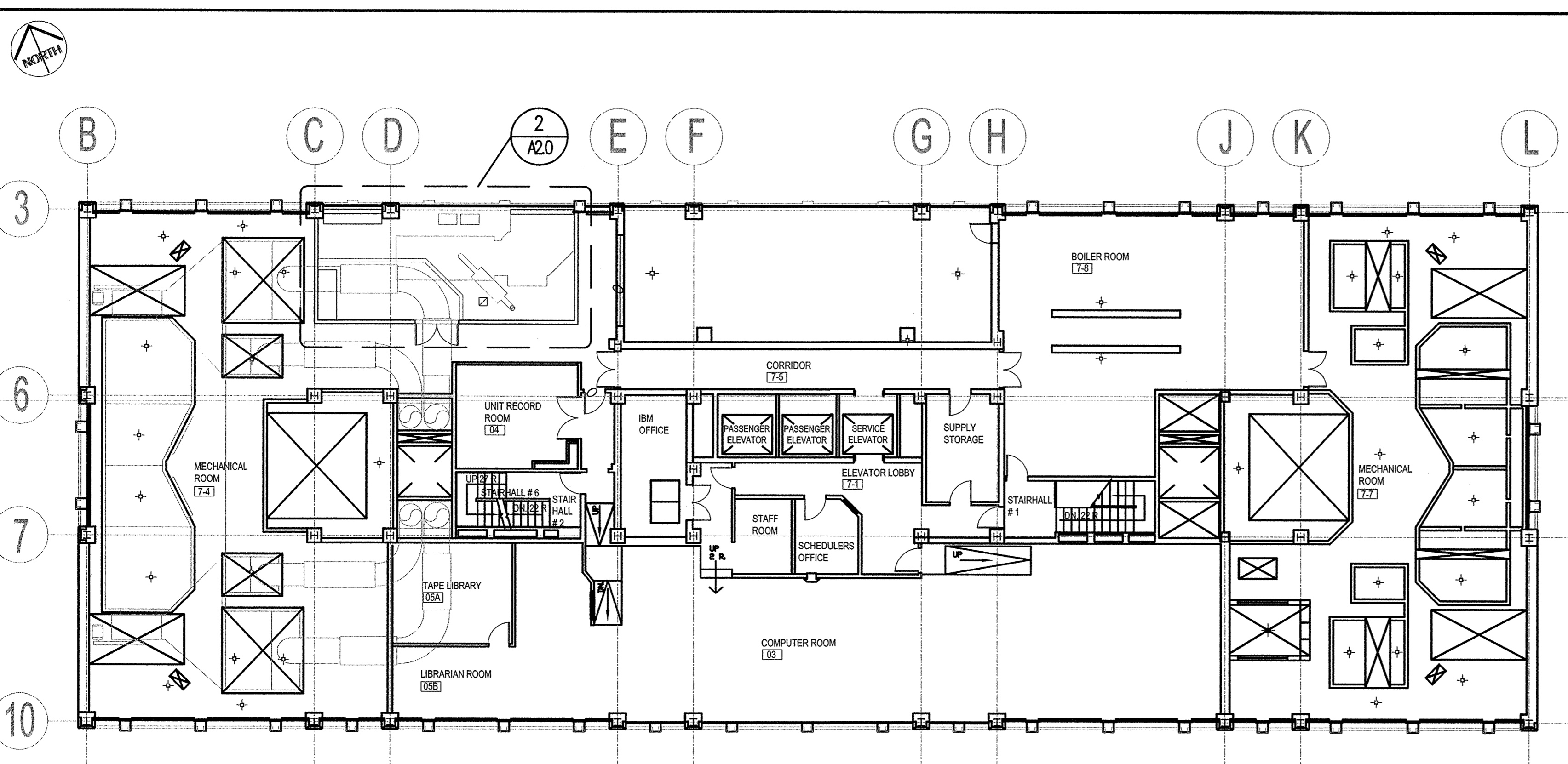
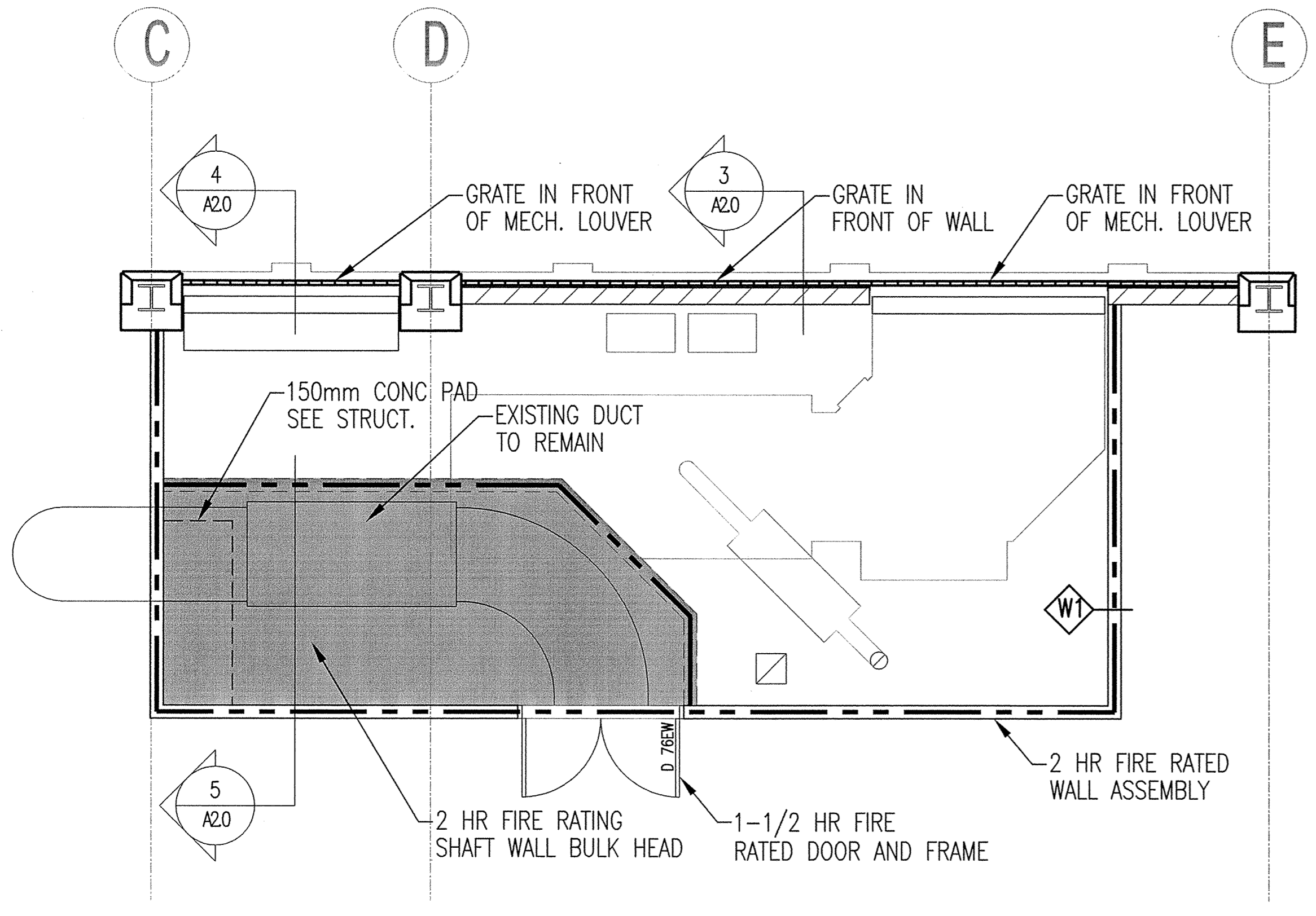


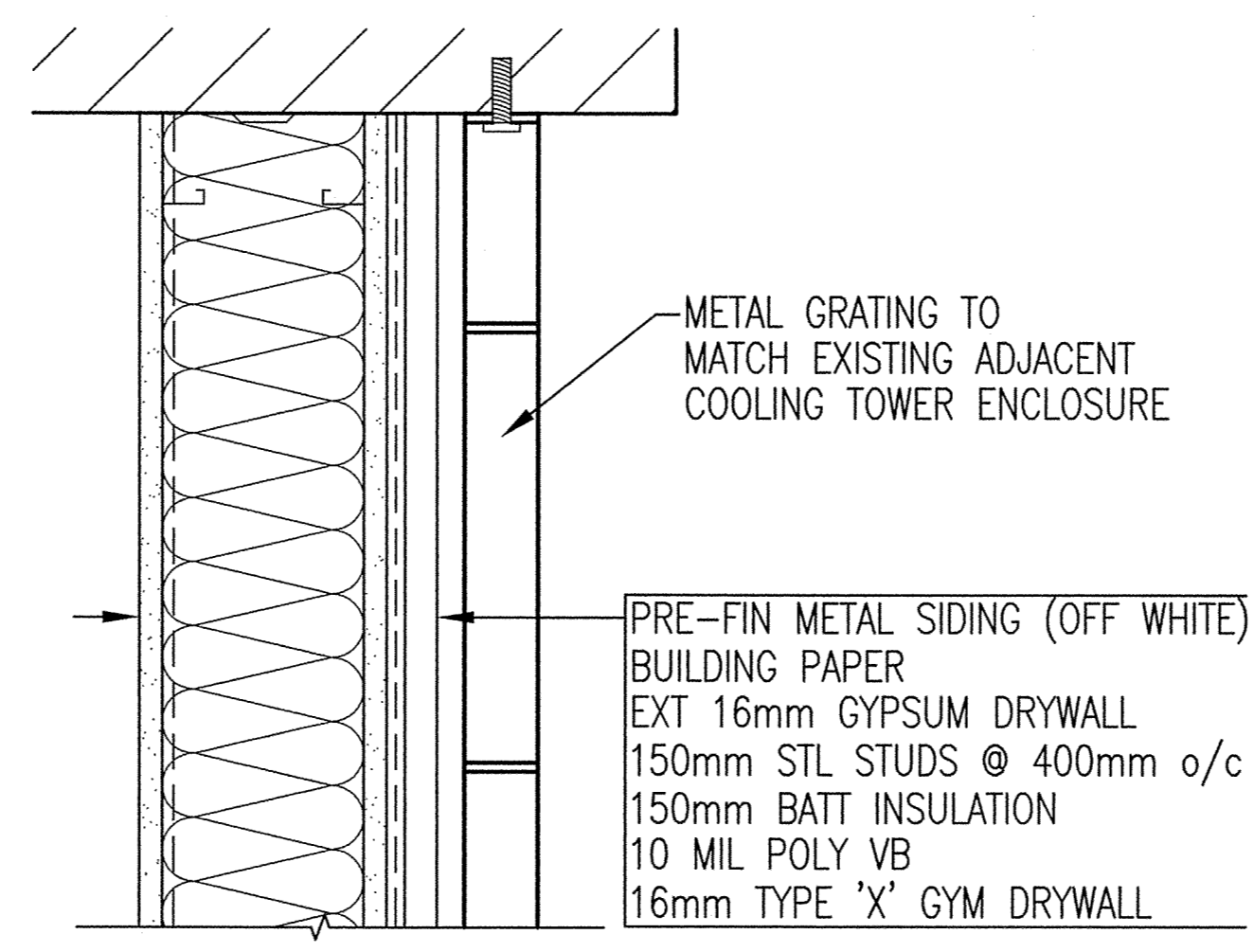
FILE NAME: A2-7FLOOR.dwg
 DATE: 2008.05.11
 DESCRIPTION: SEVENTH (PENTHOUSE) & INTERMEDIATE FLOOR PLAN
 PROJECT No: 07-232-01
 ADDRESS: 510 MAIN ST.



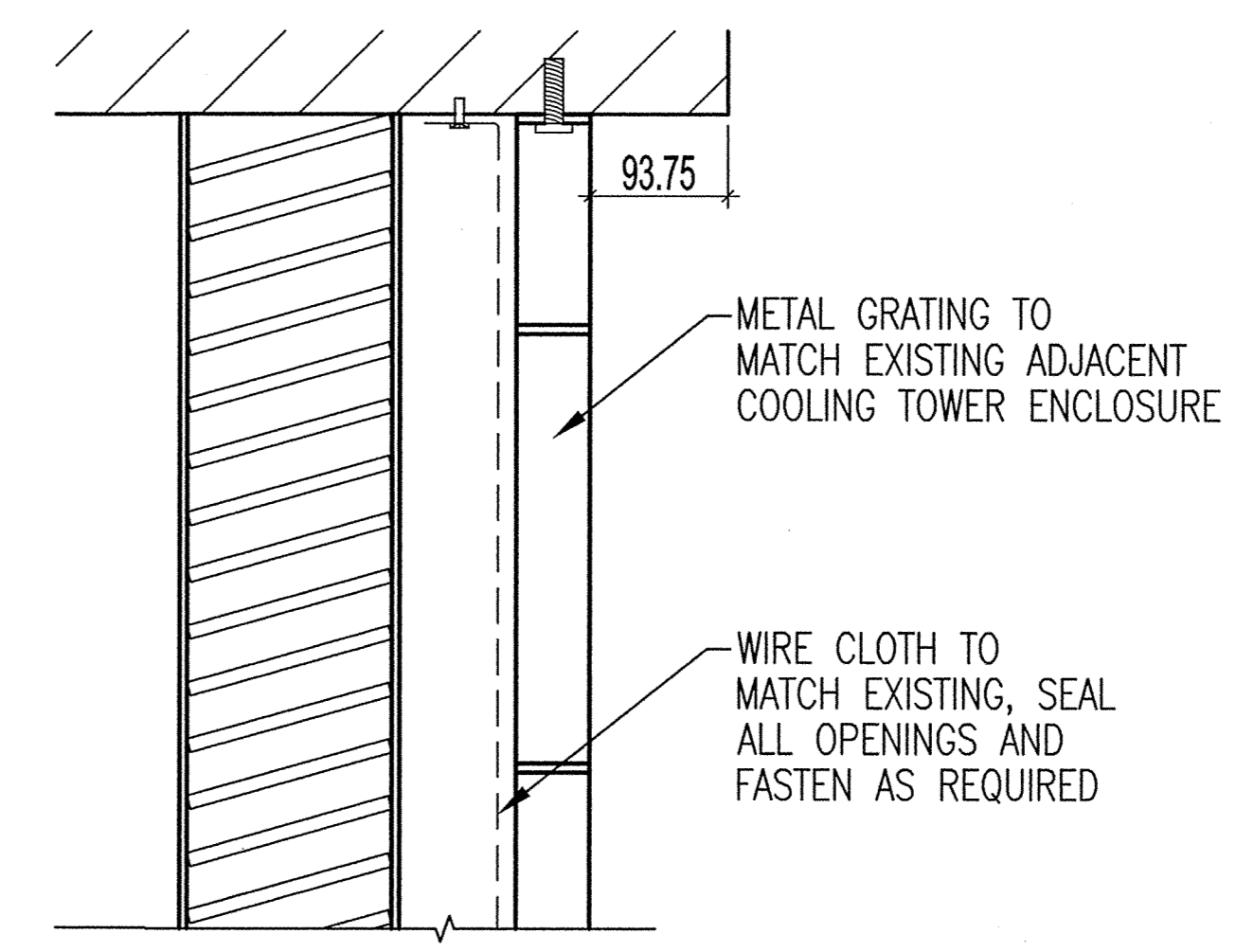
1 SEVENTH (PENTHOUSE) FLOOR PLAN
 A2.0 SCALE: 1:150



2 SEVENTH PARTIAL FLOOR PLAN
 A2.0 SCALE: 1:50

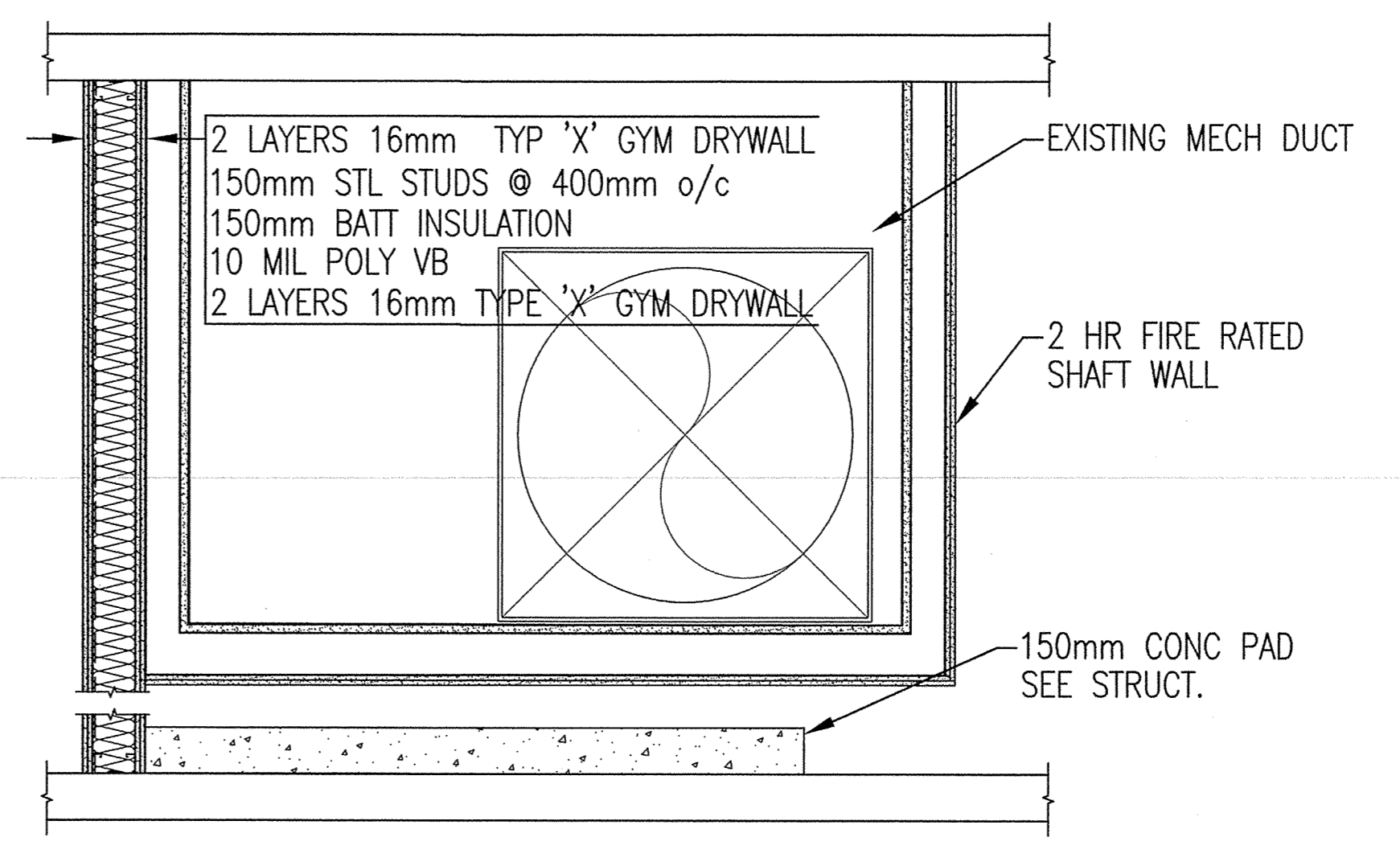


3 WALL SECTION
 A2.0 SCALE: 1:5



4 WALL SECTION
 A2.0 SCALE: 1:5

5 BULKHEAD WALL SECTION
 A2.0 SCALE: 1:20



NOTES -
 WALL ASSEMBLIES
 W1 2 HR WALL ASSEMBLY
 2 LAYERS 16mm TYPE 'X' GYP
 150mm STEEL STUD @ 450 o/c
 2 LAYERS 16mm TYPE 'X' GYP
 W2 2 HR WALL ASSEMBLY
 SAME AS W1 - MOUNTED ON
 A 150mm CONCRETE CURB
 DOOR SCHEDULE - SEE A3.0
 D STOR (1-1/2 HR FR
 DOOR, FRAME AND HARDWARE)
 D 76EW (1-1/2 HR FR
 DOOR, FRAME AND HARDWARE)

numberTEN architectural group
 204 942-0981 250 360-2106
 architecture • interior design • graphic design

1	ISSUED FOR BID OPPORTUNITY	09.06.26	
NO.	REVISION/DESCRIPTION	BY	DATE
SEALS			
DRAWN BY	DM	CHECKED BY	CS
DATE	2008.05.11	USER APPROVAL	APPROVED 80

CITY OF WINNIPEG
 PLANNING, PROPERTY &
 DEVELOPMENT DEPARTMENT
 CIVIC ACCOMMODATIONS DIVISION
 300 - 65 GARRY ST. R3C 4K4
 PROJECT
 CITY OF WINNIPEG 510 MAIN ST.
 EMERGENCY DISTRIBUTION UPGRADE
 PHASE 1

SHEET TITLE
 SEVENTH (PENTHOUSE) & INTERMEDIATE
 FLOOR PLAN

SCALE AS SHOWN	PROJECT NO. 07-232-01	SHEET NO. A2.0
-------------------	--------------------------	-------------------

DRAWING SHEET SIZE: A1 (841mm x 594mm) PLOT 1:1