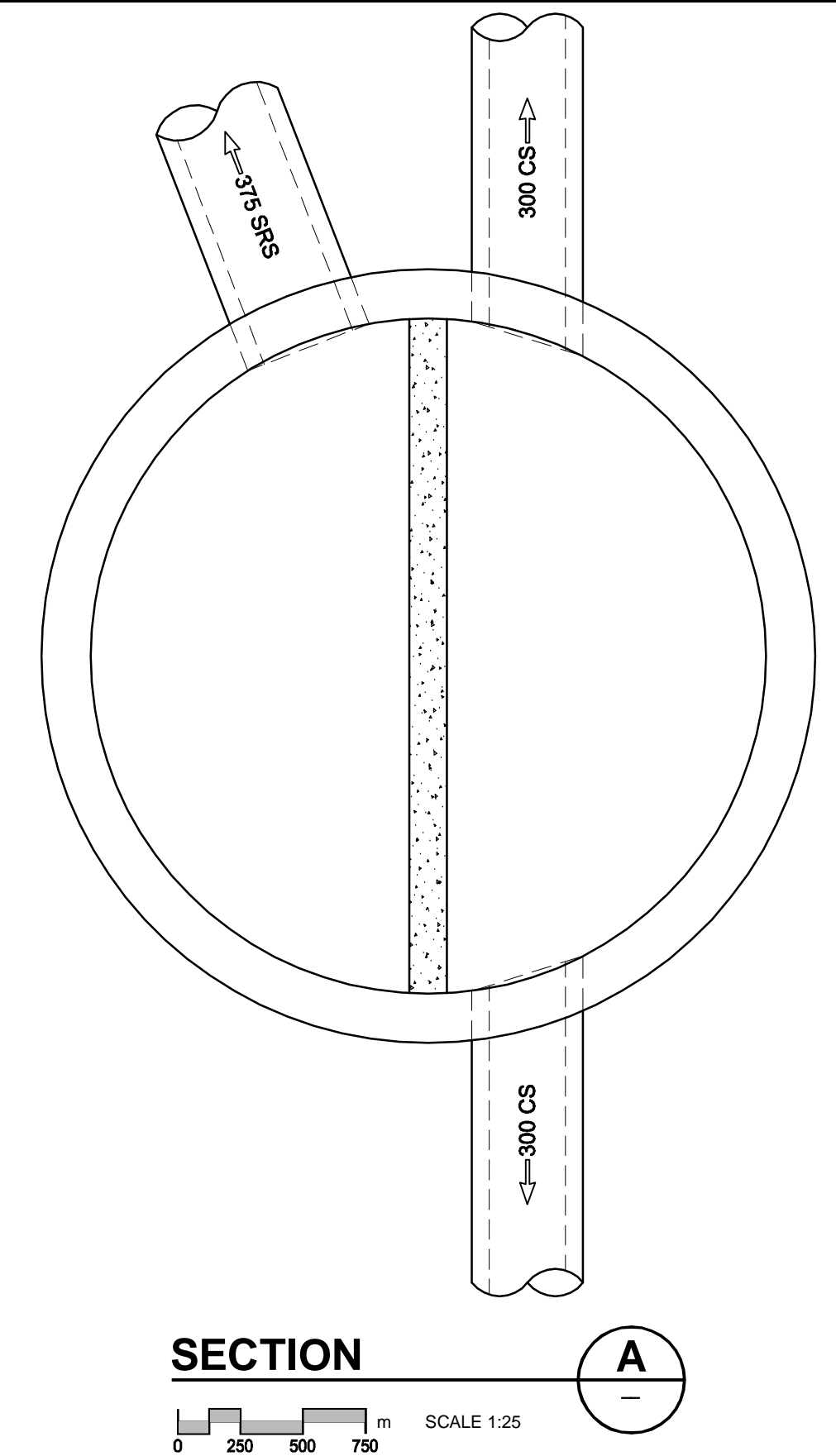
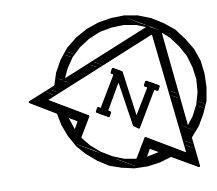
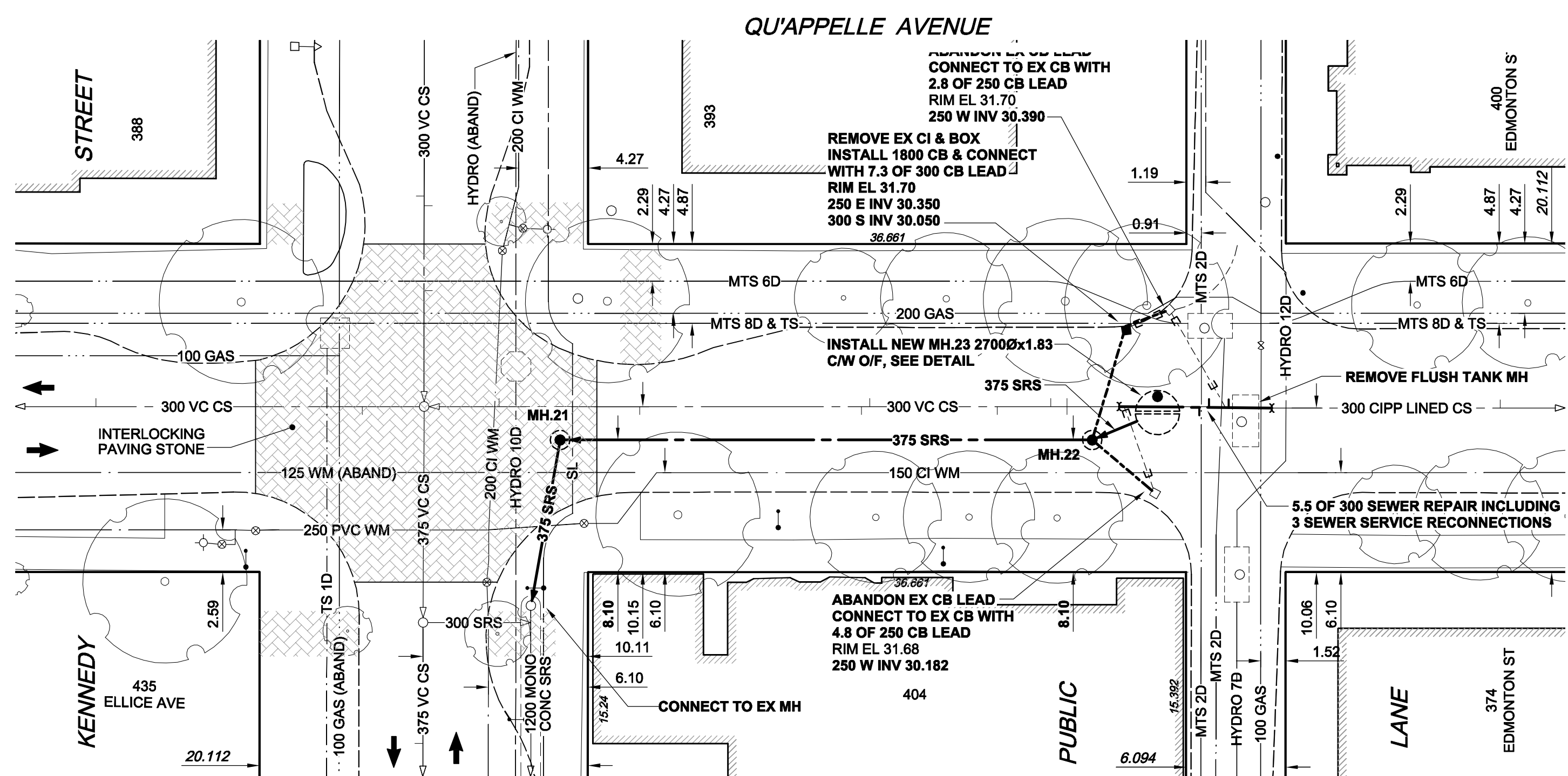
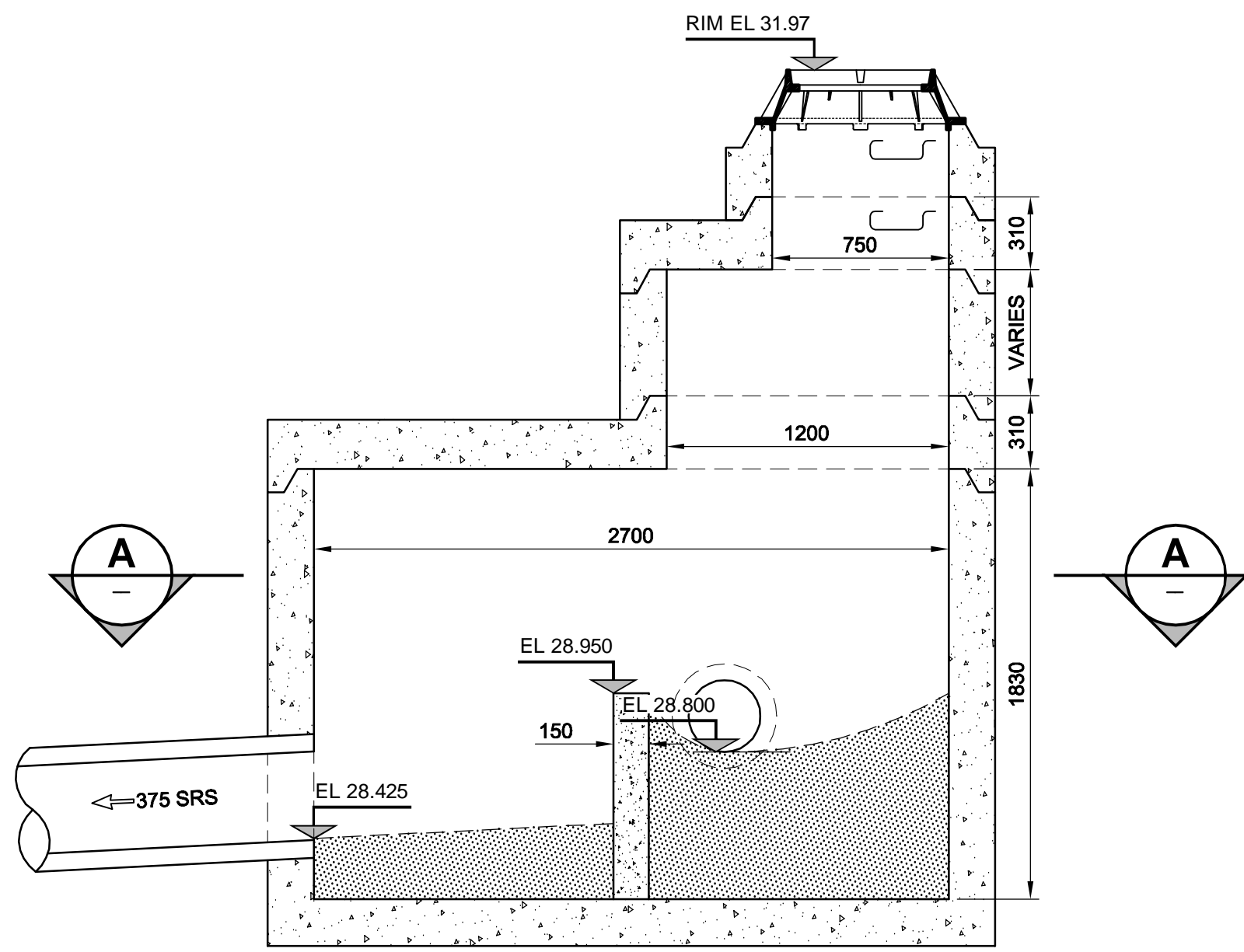


CHAINAGE ALONG S PL



SECTION A

SCALE 1:25



MANHOLE 23 OVERFLOW DETAIL

SCALE 1:25

TYPICAL MANHOLE REQUIREMENTS AS PER SD-010

- CONSTRUCTION NOTES:**
1. THE LOCATION OF ALL SERVICES IS TO BE CONFIRMED IN THE FIELD.
 2. INSTALL NEW SEWERS AND CATCHBASIN LEADS BY TRENCHLESS METHODS WHEREVER POSSIBLE.
 3. RENEW/REHABILITATE CATCHBASINS & RENEW CATCHBASIN LEADS WHERE NOTED.

AECOM
 Certificate of Authorization
 AECOM Canada Ltd.
 No. 4671 Date: March 10, 2009

BID OPPORTUNITY NO. 12-2009

EXISTING	LEGEND - PLAN	NEW	EXISTING	LEGEND - PLAN	NEW	EXISTING	LEGEND - PROFILE	NEW
150 mm WM	WATERMAIN	150 mm WM	CURB STOP	150 mm WM	WATERMAIN	150 mm WM	WATERMAIN	150 mm WM
HYDRANT	HYDRANT	REDUCER	REDUCER	HYDRANT	HYDRANT	LAND DRAINAGE SEWER	HYDRANT	LAND DRAINAGE SEWER
VALVE	VALVE	COUPLING	COUPLING	VALVE	VALVE	WASTE WATER SEWER	VALVE	WASTE WATER SEWER
300 mm LDS	LAND DRAINAGE SEWER	ANODE	ANODE	300 mm LDS	LAND DRAINAGE SEWER	PAVEMENT CROWN	300 mm LDS	PAVEMENT CROWN
250 mm WWS	WASTE WATER SEWER	HYDRO	HYDRO	250 mm WWS	WASTE WATER SEWER	N/W PROPERTY LINE	250 mm WWS	N/W PROPERTY LINE
MANHOLE	MANHOLE	MTS	MTS	MANHOLE	MANHOLE	S/E PROPERTY LINE	MANHOLE	S/E PROPERTY LINE
CATCH BASIN	CATCH BASIN	GAS	GAS	CATCH BASIN	CATCH BASIN	N/W GUTTER	CATCH BASIN	N/W GUTTER
CURB INLET	CURB INLET	TESTHOLE	TESTHOLE	CURB INLET	CURB INLET	S/E GUTTER	CURB INLET	S/E GUTTER
CULVERT	CULVERT	LAMP STANDARD	LAMP STANDARD	CULVERT	CULVERT		CULVERT	
PIPE ABANDONMENTS	PIPE ABANDONMENTS	TREE	TREE	PIPE ABANDONMENTS	PIPE ABANDONMENTS		PIPE ABANDONMENTS	
SURVEY BAR	SURVEY BAR			SURVEY BAR	SURVEY BAR		SURVEY BAR	
EXISTING	LEGEND - PLAN	NEW	EXISTING	LEGEND - PLAN	NEW	EXISTING	LEGEND - PROFILE	NEW

LOCATION APPROVED UNDERGROUND STRUCTURES

SUPR. U/G STRUCTURES DATE COMMITTEE

NOTE: LOCATION OF UNDERGROUND STRUCTURES AS SHOWN ARE BASED ON THE BEST INFORMATION AVAILABLE. BUT NO GUARANTEE IS GIVEN THAT ALL EXISTING UTILITIES ARE SHOWN OR THAT THE GIVEN LOCATIONS ARE EXACT. CONFIRMATION OF EXISTENCE AND EXACT LOCATION OF ALL SERVICES MUST BE OBTAINED FROM THE INDIVIDUAL UTILITIES BEFORE PROCEEDING WITH CONSTRUCTION.

NO.	REVISIONS	DATE	BY
0	ISSUED FOR CONSTRUCTION	03/10/09	KMB

DESIGNED BY	CHECKED BY	APPROVED BY	DATE
GEB / DME	FMI	AN	March 10, 2009

PROFESSIONAL'S SEAL

Revision 0
 Issued for Construction
 WAS SEALED BY
 A. NAGY
 AND DATED
 March 10, 2009

CONSULTANT DRAWING NO. 09
 D265-177-08

THE CITY OF WINNIPEG
 WATER AND WASTE DEPARTMENT

ALEXANDER/BANNATYNE
 COMBINED SEWER RELIEF
 CONTRACT 8
 QU'APPELLE AVENUE
 KENNEDY STREET
 TO 20m W OF EDMONTON STREET

SHEET 9 OF 18
 CITY DRAWING NUMBER
LD-3403