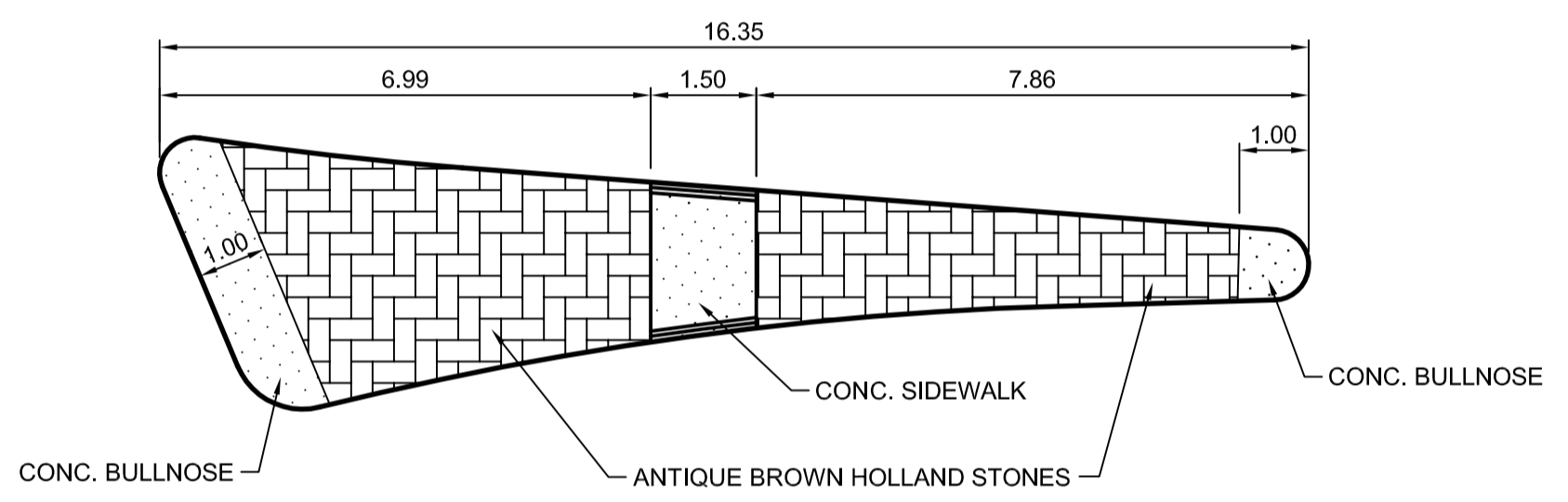
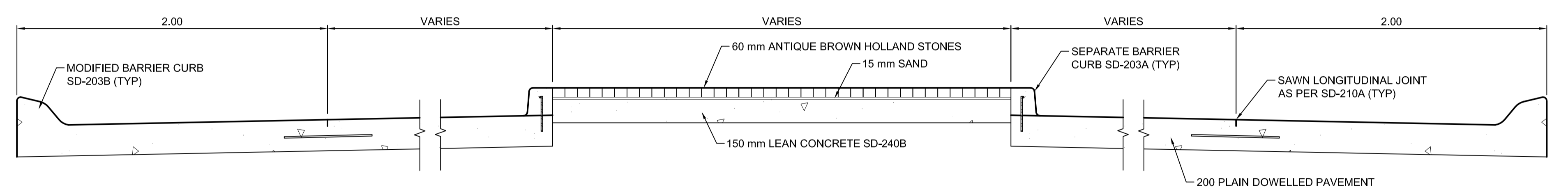


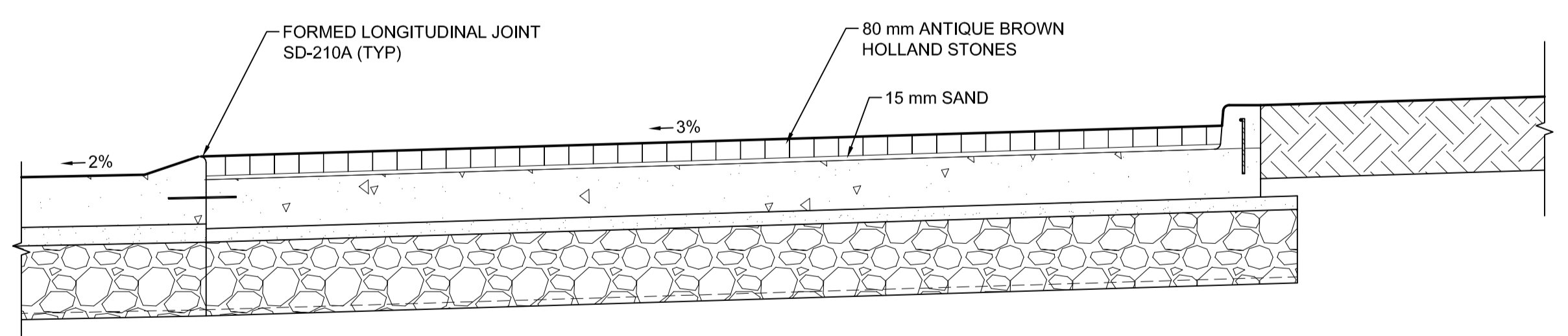
A SECTION
SCALE: H:1:100 V:1:50



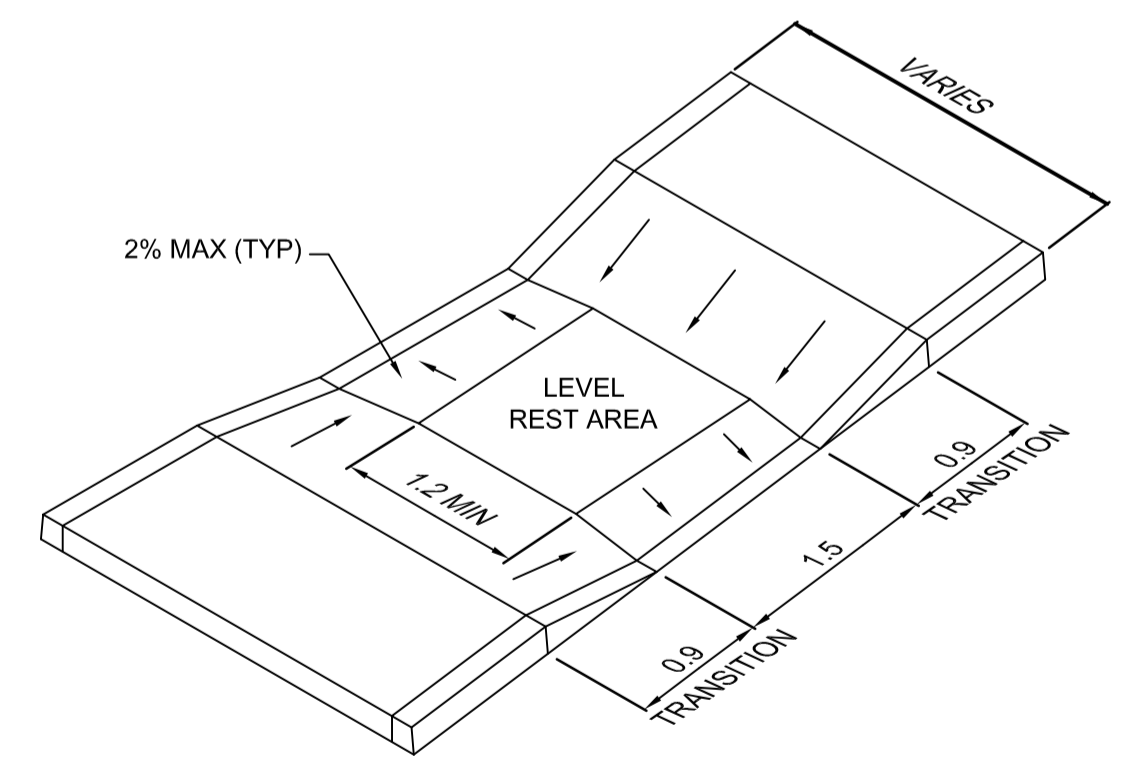
1 TYPICAL CONCRETE SPLITTER ISLAND
SCALE: H:1:100



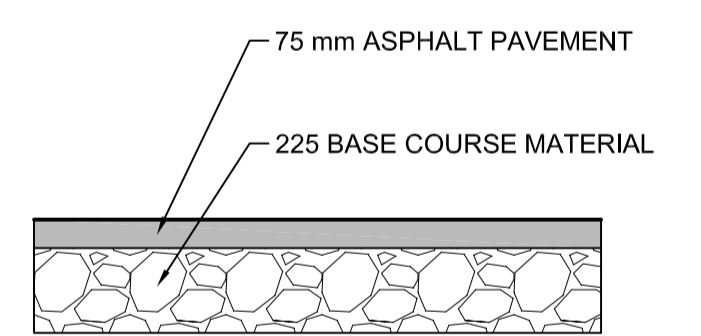
B SECTION
SCALE 1:20



2 DETAIL
SCALE 1:20



3 TYPICAL SIDEWALK RAMP AT SPLITTER ISLAND
SCALE 1:50



4 TEMPORARY PAVEMENT
SCALE 1:20

G:\CAD\081175\Contract\Current\Roadway\081175-LAKEWOOD.dwg

150 WM	WATERMAIN	150 WM	HYDRO	HYDRO	HYDRO	150 mm W.M.	WATERMAIN	150 mm W.M.
⊕	HYDRANT	⊕	MTS	MTS	+	+	HYDRANT	+
⊗	VALVE	⊗			+	+	VALVE	+
300 LDS	LAND DRAINAGE SEWER	300 LDS			300 mm L.D.S.	300 mm L.D.S.	LAND DRAINAGE SEWER	300 mm L.D.S.
250 WWS	WASTE WATER SEWER	250 WWS			250 mm W.W.S.	250 mm W.W.S.	WASTE WATER SEWER	250 mm W.W.S.
○	MANHOLE	●			---	---	MANHOLE	---
□	CATCH BASIN	■			---	---	CATCH BASIN	---
▽	CURB INLET	▽			---	---	CURB INLET	---
+	JUNCTIONS	+			---	---	JUNCTIONS	---
---	CULVERT	---			---	---	CULVERT	---
100 GAS	GAS	100 GAS			---	---	GAS	---
EXISTING	LEGEND-PLAN	PROPOSED	EXISTING	LEGEND-PLAN	PROPOSED	EXISTING	LEGEND-PROFILE	PROPOSED

UNDERGROUND STRUCTURES		B.M. ELEV.			
SUPV. U/G STRUCTURES COMMITTEE	DATE				
NOTE: LOCATION OF UNDERGROUND STRUCTURES AS SHOWN ARE BASED ON THE BEST INFORMATION AVAILABLE, BUT NO GUARANTEE IS GIVEN THAT ALL EXISTING UTILITIES ARE SHOWN OR THAT THE GIVEN LOCATIONS ARE EXACT. CONFIRMATION OF EXISTENCE AND EXACT LOCATION OF ALL SERVICES MUST BE OBTAINED FROM THE INDIVIDUAL UTILITIES BEFORE PROCEEDING WITH CONSTRUCTION.					
3	ISSUED FOR TENDER	04-29-09	TJH		
2	ISSUED FOR REVIEW	03-20-09	TJH		
1	ISSUED FOR 50% REVIEW	03-05-09	TJH		
NO.	REVISIONS	DATE	BY		

DESIGNED BY	TJP
DRAWN BY	TJH
CHECKED BY	DBW
APPROVED BY	DPK
HOR. SCALE	AS NOTED
VERTICAL	
RELEASED FOR CONSTRUCTION	DATE

ENGINEER'S SEAL
PROVINCE OF MANITOBA
REGISTERED PROFESSIONAL ENGINEER
T.J. PETERS
Member 22309
04/29/09

THE CITY OF WINNIPEG
PUBLIC WORKS DEPARTMENT

BISHOP GRANDIN BLVD - EASTBOUND
LAKEWOOD TO LAGIMODIERE

CITY DRAWING NUMBER: P-3300-27
SHEET 27 OF 27
CONSULTANT DRAWING NUMBER: -

ROUNDABOUT CONSTRUCTION - SECTIONS AND DETAILS

CONSULTANT PROJECT NUMBER: 08-1175

APEGM
Certificate of Authorization
Dillon Consulting Limited (MB)
No. 1789 Date: _____

