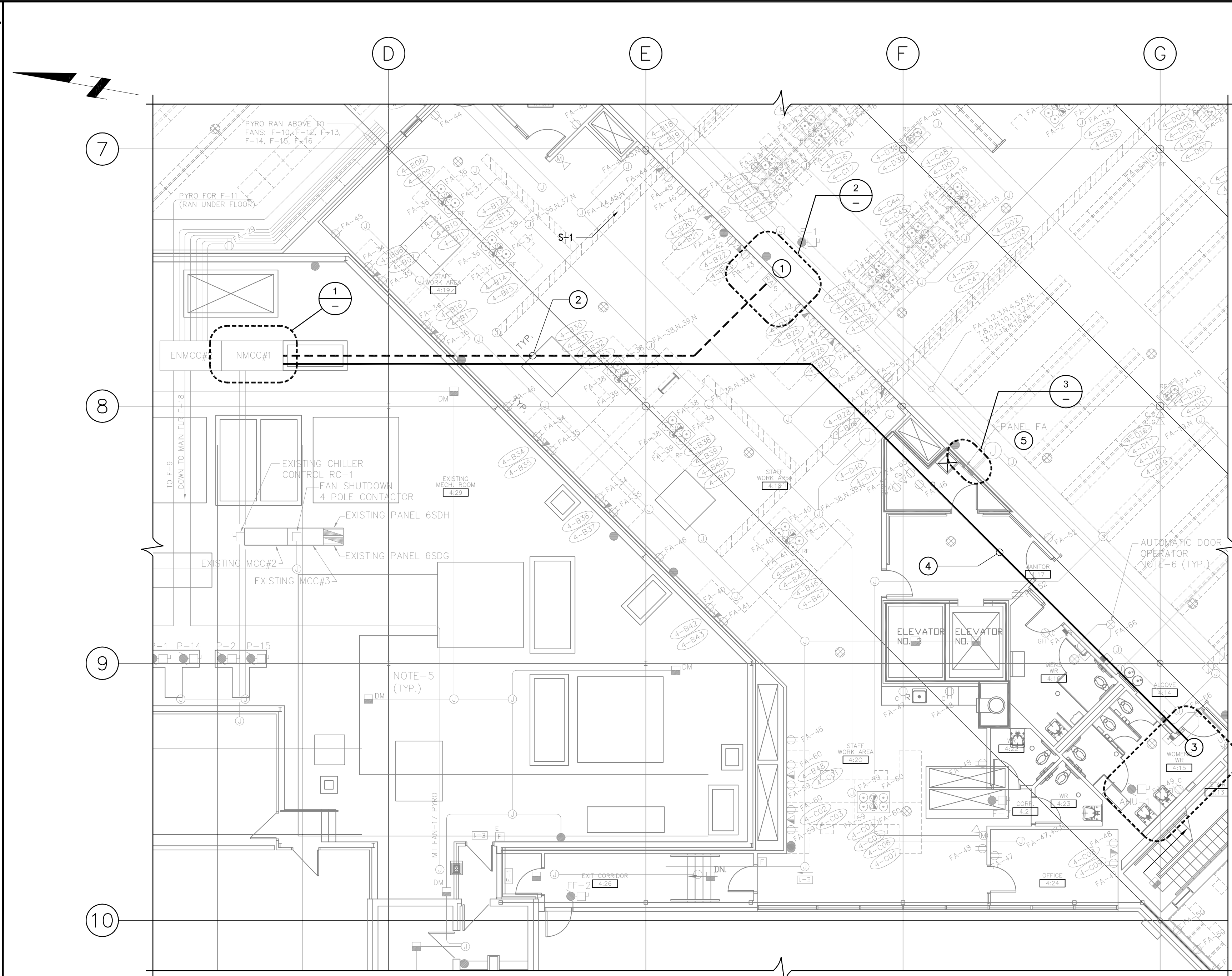


CE01.dwg(1) FILE NAME: DATE: 2009.04.14 DESCRIPTION: FOURTH FLOOR ELECTRICAL PLAN PROJECT No.: 105808 ADDRESS: 251 DONALD STREET



FOURTH FLOOR ELECTRICAL PLAN
SCALE: 1/8"=1'-0"

PANEL FA (EXISTING)



CCT#73,74,75
NEW 60A-3P BREAKER

3/C #4 TECK CABLE

- NOTES :
- 1 REMOVE VFD, DISCONNECT SWITCH, HARMONIC FILTER AND MOTOR DRIVE CABLE. SAVE AND REUSE.
 - 2 REMOVE EXISTING CABLE FROM BREAKER NMCC1, F1 DISCONNECT.
 - 3 REINSTALL DISCONNECT SWITCH, VFD AND HARMONIC FILTER IN THIS LOCATION ON LEVEL 5 (ONE FLOOR UP).
 - 4 INSTALL CABLE FROM NMCC1, F1 TO NEW LOCATION. INSTALL CABLE IN CEILING SPACE WHEN OUTSIDE OF MECHANICAL ROOM.
 - 5 INSTALL 3 POLE, 60AMP BREAKER IN PANEL FA. RUN CABLE TO ROOF TOP UNIT AHU-2 DAMPER SECTION. REFER TO MECHANICAL DRAWINGS FOR LOCATION.
- GENERAL NOTES :
1. -

PANEL SCHEDULE
FA-1

DESCRIPTION	LOAD	BKR	CCT	A	B	C	CCT	BKR	LOAD	DESCRIPTION
UNIT HEATER		3P	1	*			2	15A		RECEPTACLE
UNIT HEATER		15A	3	*			4	15A		AHU LIGHTS
UNIT HEATER			5	*			6			SPACE
SPACE			7	*			8			SPACE
SPACE			9	*			10			SPACE
SPACE			11	*			12			SPACE

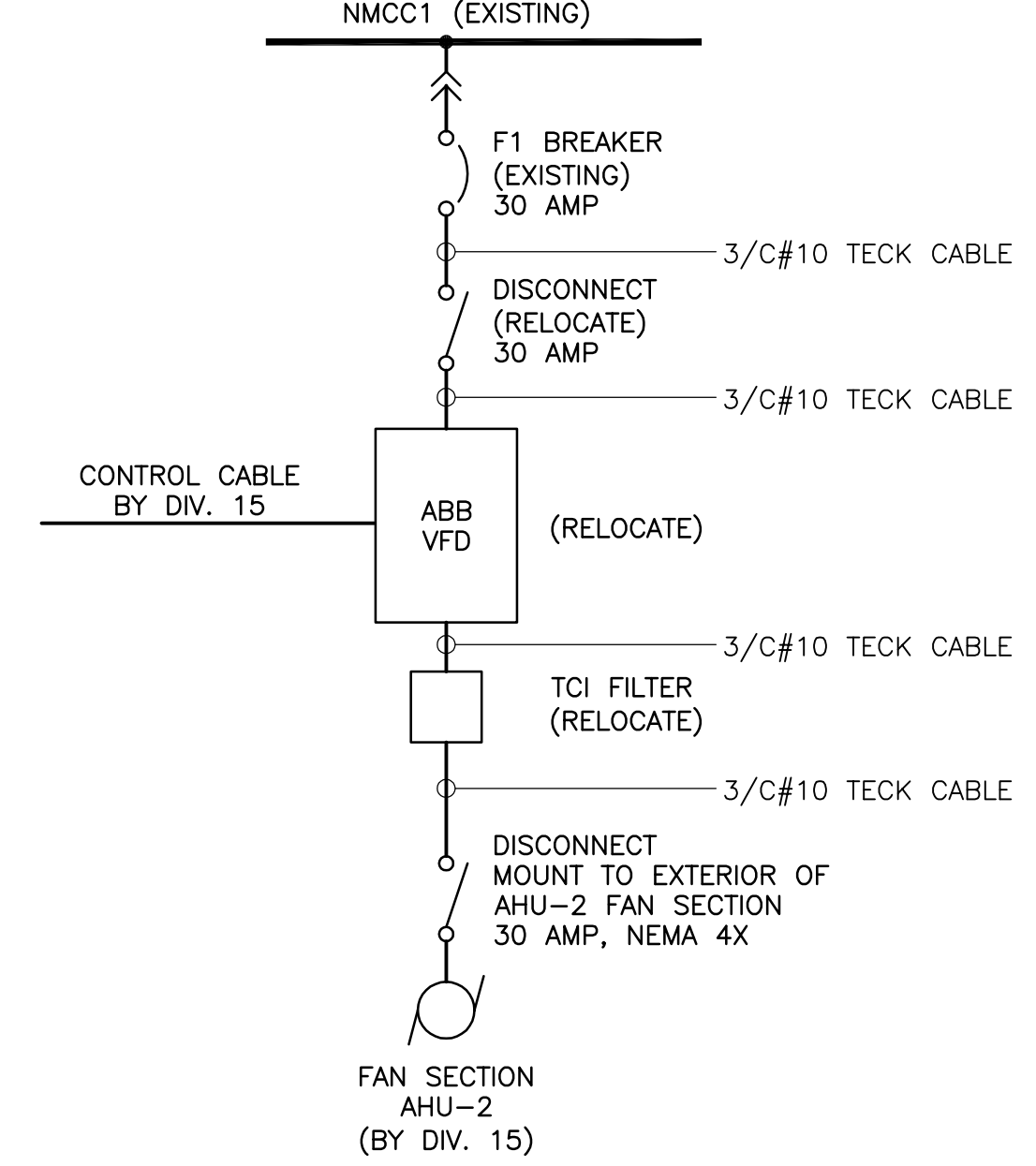
Unit Heater: 3/C#12 TECK CABLE

Weatherproof GFI Receptacle: 2/C#14 TECK CABLE

Panel Schedule Details:

- Voltage: 120V/208V 3P 4-WIRE
- Mains: 60 AMPS COPPER BUS
- Location: LEVEL 5 MECHANICAL ROOM SW WALL
- Mounting: SURFACE
- Feeder: 3/C #4 TECK CABLE
- Main Breaker: NONE
- Power Source: EXISTING FA PANEL
- Manufacturer: SQUARE D

NEW FA-1 PANEL SCHEDULE
NTS



SINGLE LINE DIAGRAM - AHU-2
NTS

00	ISSUED FOR TENDER	DC	2009.04.15
NO.	REVISION/DESCRIPTION	BY	DATE

SEALS

AECOM

DRAWN BY	DS	CHECKED BY	APPROVED
DATE	2009.04.14	USER	APPROVAL

CITY OF WINNIPEG
PLANNING, PROPERTY AND
DEVELOPMENT DEPARTMENT
CIVIC ACCOMMODATIONS DIVISION
300 - 65 GARRY ST. R3C 4K4

PROJECT
MILLENNIUM LIBRARY
NOISE ABATEMENT
PHASE 1 - BID OPP. NO. 182-2009
251 DONALD STREET, WINNIPEG, MANITOBA

SHEET TITLE
ELECTRICAL
FOURTH FLOOR
HVAC AND DEMOLITION PLANS

SCALE	PROJECT NO.	SHEET NO.
AS SHOWN	2007-003	E01

DRAWING SHEET SIZE: A1 (841mm x 594mm) PLOT 1:1



1 EXISTING NMCC1
NTS



2 EXISTING VFD DRIVE
NTS



3 EXISTING FA PANEL
NTS



4 NEW MOUNTING LOCATION FOR VFD DRIVE EQUIP. & PANELBOARD
NTS