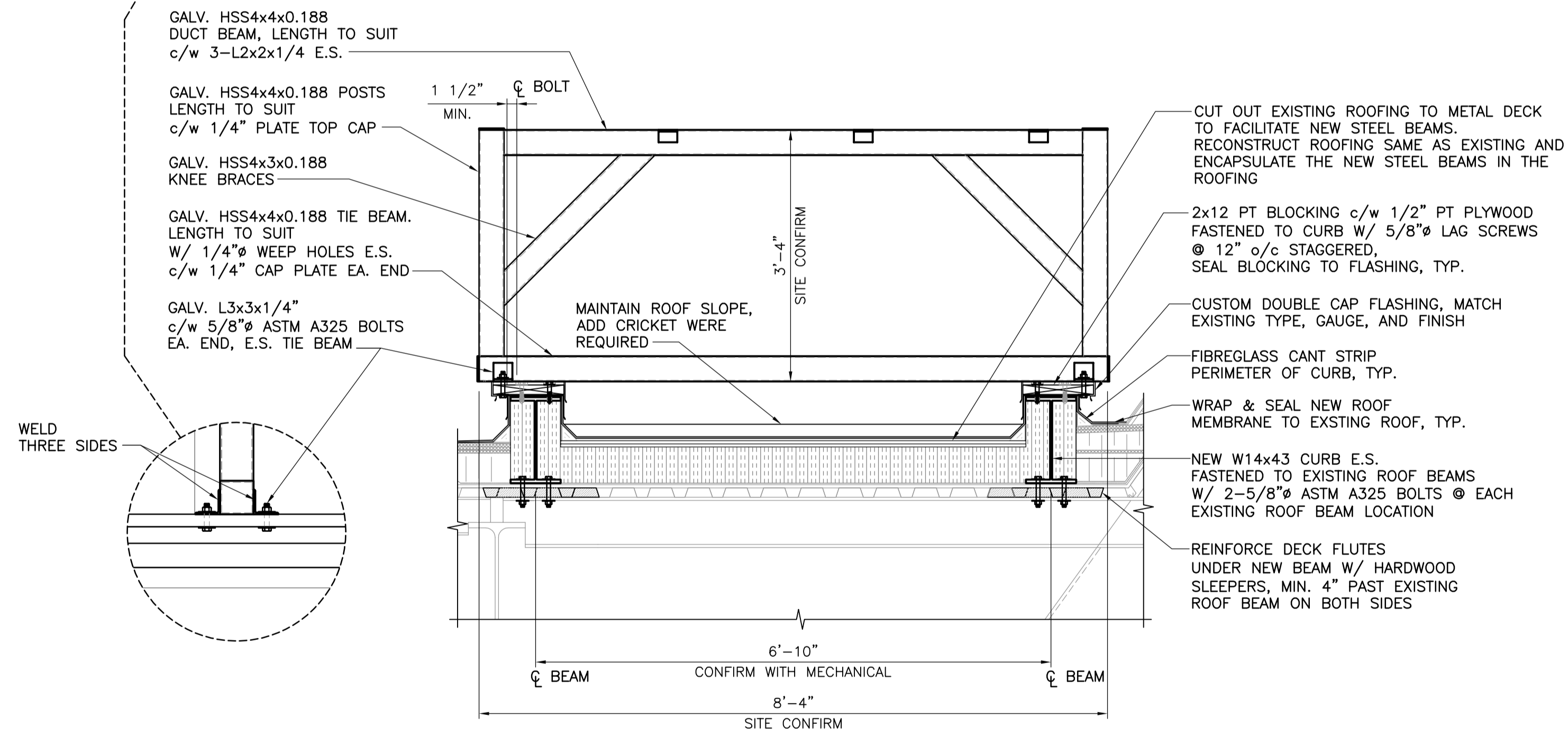


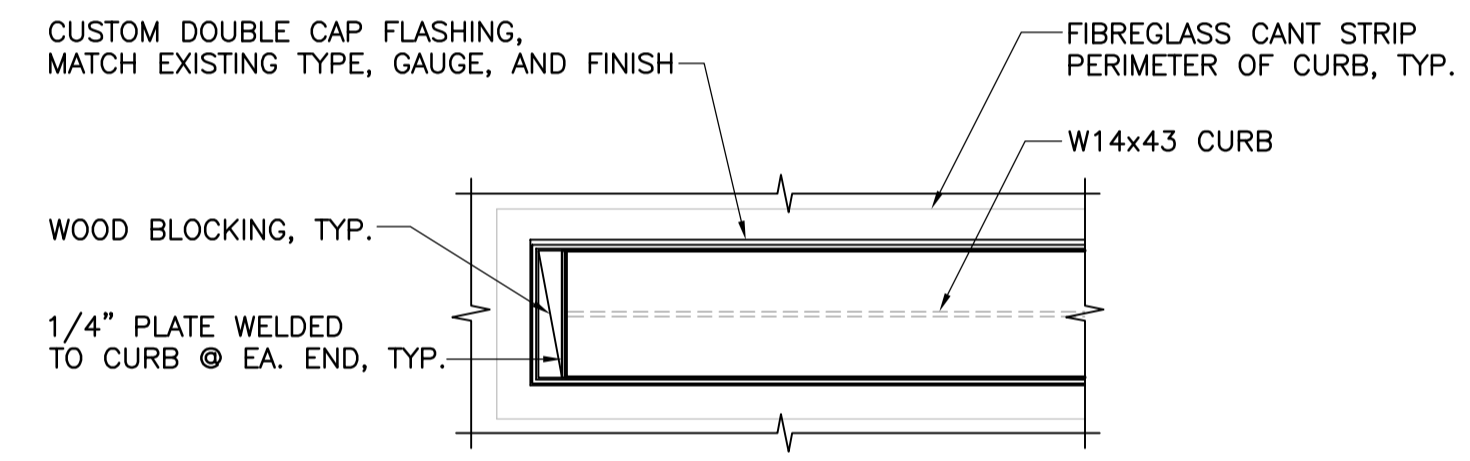
8 ELEVATION
S01 SCALE: 1/4"=1'-0"



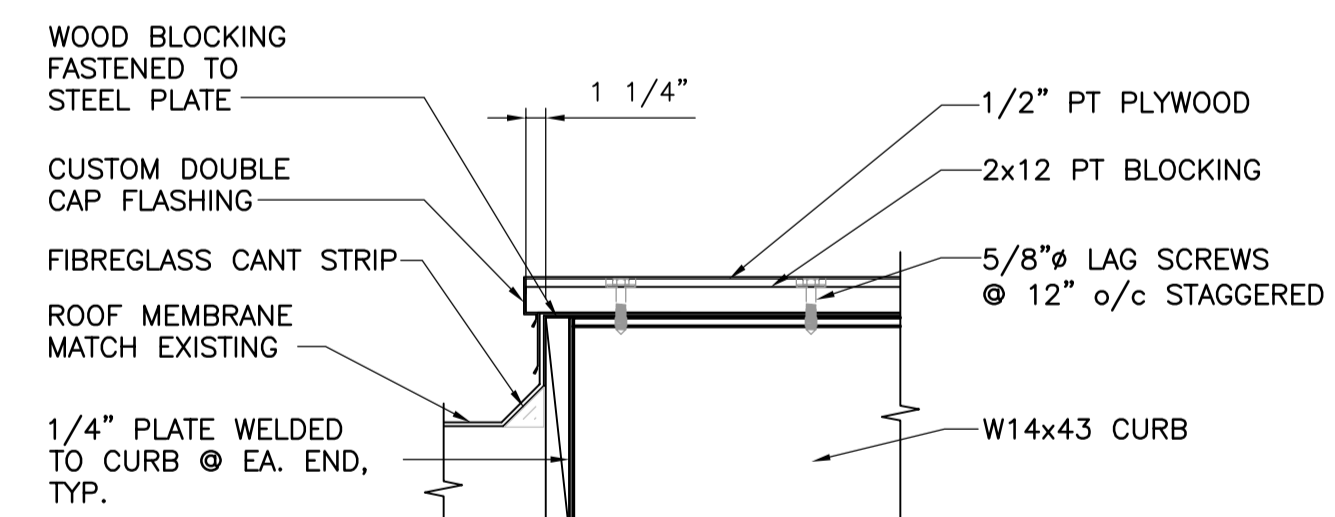
9 DETAIL
S03 SCALE: 3/4"=1'-0"

DUCT NOT SHOWN FOR CLARITY

NOTE:
ALL GALVANIZED STEEL SECTIONS TO BE SHOP WELDED PRIOR TO GALVANIZING



10 TYP. CURB END PLAN DETAIL
S03 SCALE: 1"=1'-0"



EXISTING ROOF CONSTRUCTION NOT SHOWN FOR CLARITY
11 TYP. CURB END DETAIL
S03 SCALE: 1"=1'-0"

NO.	ISSUED FOR TENDER	REVISION/DESCRIPTION	KK	2009.04.15
00				

AECOM

DRAWN BY	CHECKED BY	APPROVED	DATE
KK	MK	MK	2009.04.15

CITY OF WINNIPEG
PLANNING, PROPERTY AND
DEVELOPMENT DEPARTMENT
CIVIC ACCOMMODATIONS DIVISION
300 - 65 GARRY ST. R3C 4K4

PROJECT
MILLENNIUM LIBRARY
NOISE ABATEMENT
PHASE 1 - BID OPP. NO. 182-2009
251 DONALD STREET, WINNIPEG, MANITOBA

SHEET TITLE
DUCT SUPPORT
WALL ELEVATION & DETAILS

SCALE	PROJECT NO.	SHEET NO.
AS SHOWN	2007-003	S03