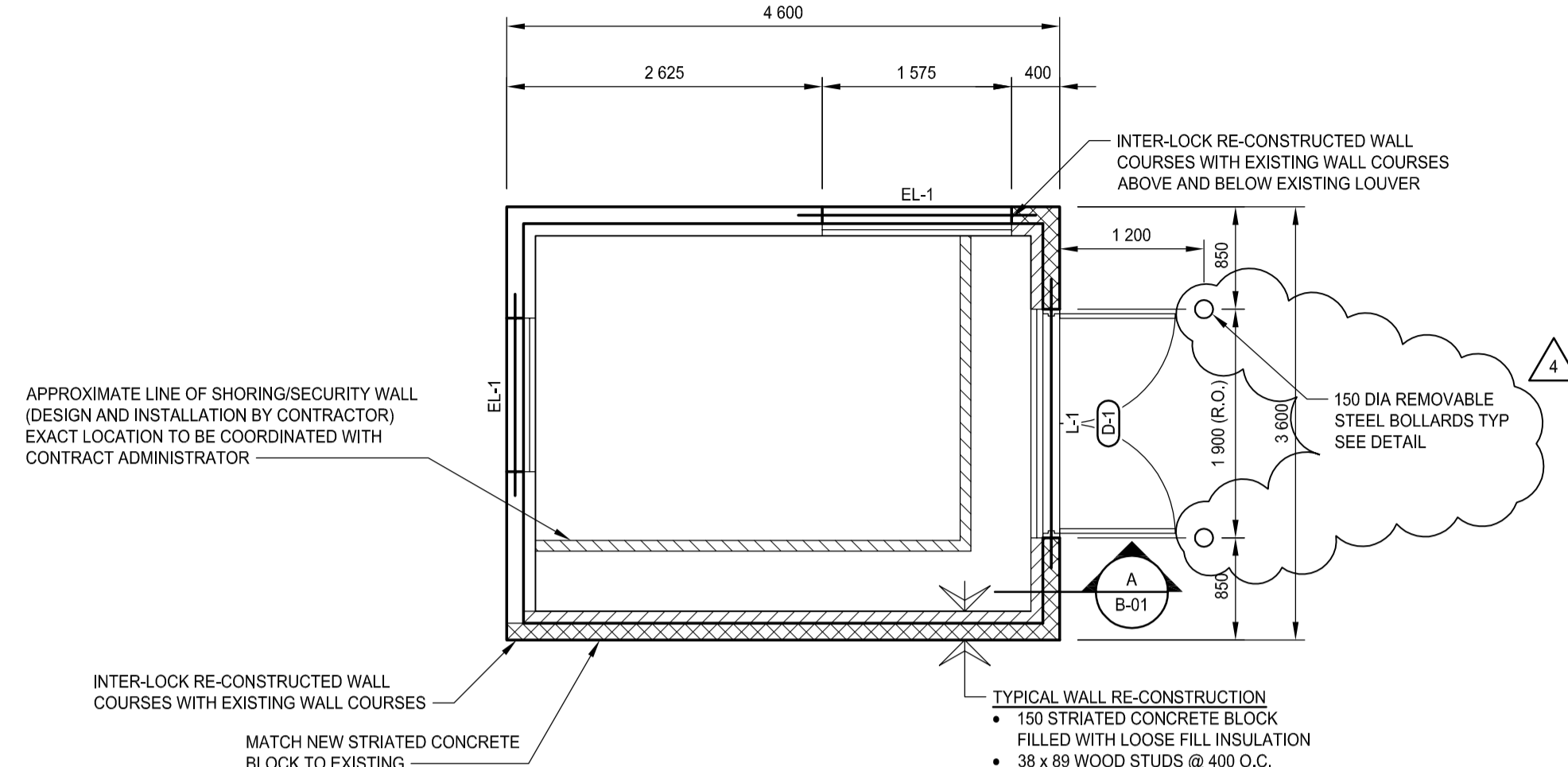
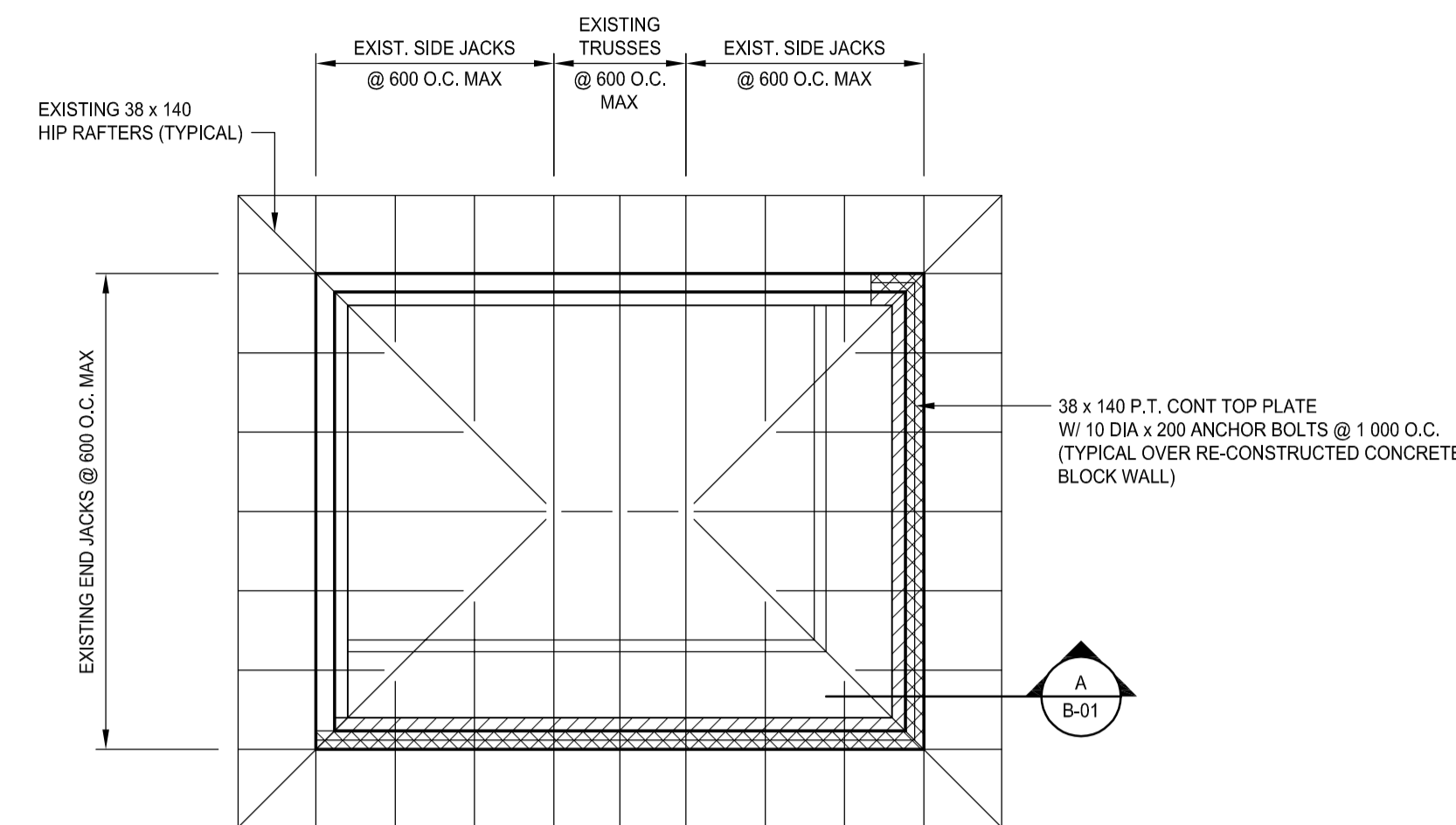


DEMOLITION PLAN
1:50



FLOOR PLAN
1:50



ROOF FRAMING PLAN
1:50

LINTEL SCHEDULE:

- L-1 NEW LINTEL (SEE 'CONSTRUCTION NOTES')
- EL-1 EXISTING 150 CONCRETE U-BLOCK LINTEL

DOOR SCHEDULE:

- D-1 PRESSED STEEL FRAME & 2 - HOLLOW METAL DOORS IN 1 900 x 2 200 OPENING

CONSTRUCTION NOTES

GENERAL

- DO NOT SCALE DRAWINGS.
- VERIFY ALL DIMENSIONS SHOWN PRIOR TO COMMENCING CONSTRUCTION. REPORT ANY DISCREPANCIES TO THE CONTRACT ADMINISTRATOR.
- STRUCTURAL DRAWINGS SHOWING THE COMPLETED STRUCTURE THEY DO NOT INDICATE COMPONENTS WHICH MAY BE NECESSARY FOR SAFETY DURING CONSTRUCTION.
- REFER TO SPECIFICATION E20 ASBESTOS REMEDIATION, IN BID OPPORTUNITY NO. 183-2009 FOR SAFE ASBESTOS REMOVAL PROCEDURES.

MASONRY

- MASONRY WORK TO CONFORM TO CSA-A371 'MASONRY CONSTRUCTION FOR BUILDINGS'.
- CONCRETE BLOCKS TO CONFORM TO CSA-A165-85 'CSA STANDARDS ON CONCRETE MASONRY UNITS'.
- STANDARD HOLLOW MASONRY UNITS TO BE: H/15/A/M.
- MORTAR TO CONFORM TO CSA-A179, TYPES BASED ON PROPORTION SPECIFICATIONS.
- EXTERIOR BEARING WALLS: TYPE S
- USE DURAWALL EVERY SECOND COURSE.
- TOP COURSE OF BLOCK WALLS TO BE 'U' BLOCK WITH 2-10M REINFORCING STEEL CONTINUOUS AND 20 MPa CONCRETE FILL.
- ALL MASONRY WALLS TO BE PROPERLY BRACED UNTIL STRUCTURE IS CLOSED IN.
- U-BLOCK LINTELS OVER OPENING IN BLOCK WALL TO BE AS FOLLOWS UNLESS NOTED OTHERWISE:
 - UP TO 4'-0" (1 200 mm)
 - 8" (200 mm) DEEP U-BLOCK
 - 20 MPa CONCRETE FILL
 - 2 - 10M BOTTOM
 - BEAR MINIMUM 8" (200 mm) EACH END
 - FILL 3 CORES THREE COURSES DEEP EACH END
 - UP TO 8'-0" (2 400 mm)
 - 16" (400 mm) DEEP U-BLOCK
 - 20 MPa CONCRETE FILL
 - 2 - 10M BOTTOM
 - BEAR MINIMUM 8" (200 mm) EACH END
 - FILL 3 CORES THREE COURSES DEEP EACH END

ROUGH CARPENTRY

- WALL STUDS AND PLATES TO BE SPF NO. 2 OR BETTER.

BATT INSULATION

- MATERIAL: FIBERGLASS, FRICTION FIT, UNFACED
- VAPOUR BARRIER: 6 MIL (.15 mm) POLYETHYLENE. TAPE SEAL ALL JOINTS AND JUNCTIONS.
- INSTALL INSULATION TO MAINTAIN CONTINUITY OF THERMAL BARRIER, FIT TIGHT TO PENETRATION, DO NOT COMPRESS.
- INSTALL VAPOUR BARRIER ON WARM SIDE OF INSULATION COMPLETELY SEAL BY TAPING JOINTS AND PATCHING TEARS AND PENETRATIONS.

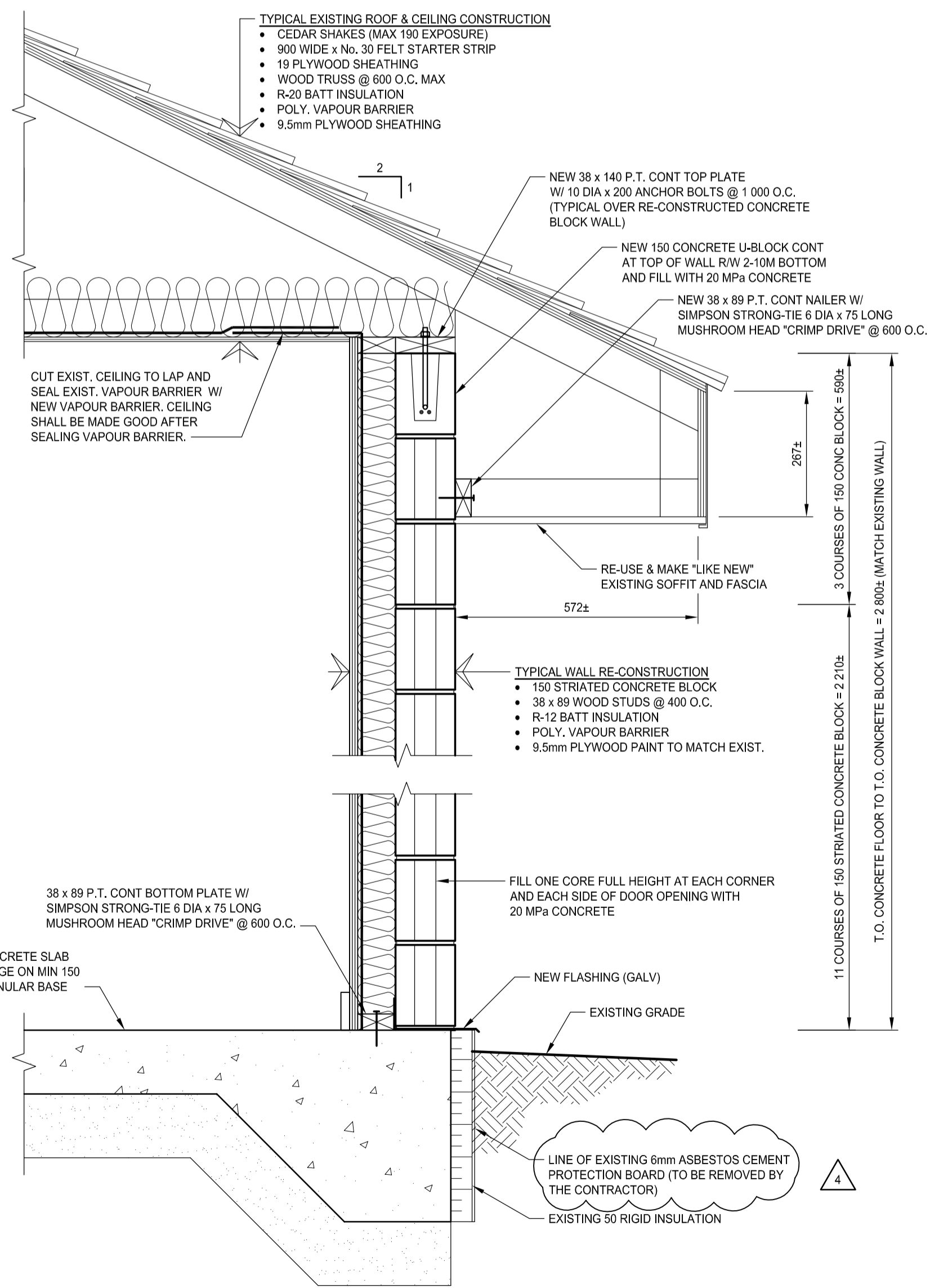
DOORS

- EXTERIOR DOORS: 1 1/4" (45 mm) STEEL DOOR (18 GAUGE) WITH POLYURETHANE INSULATION FILL
- EXTERIOR FRAME: 16 GAUGE PRESSED STEEL FRAME, BATT INSULATION FILL, FIX TO WALL WITH MINIMUM OF 4 ANCHORS PER JAMB.
- REFER TO SPECIFICATIONS FOR DOOR HARDWARE.

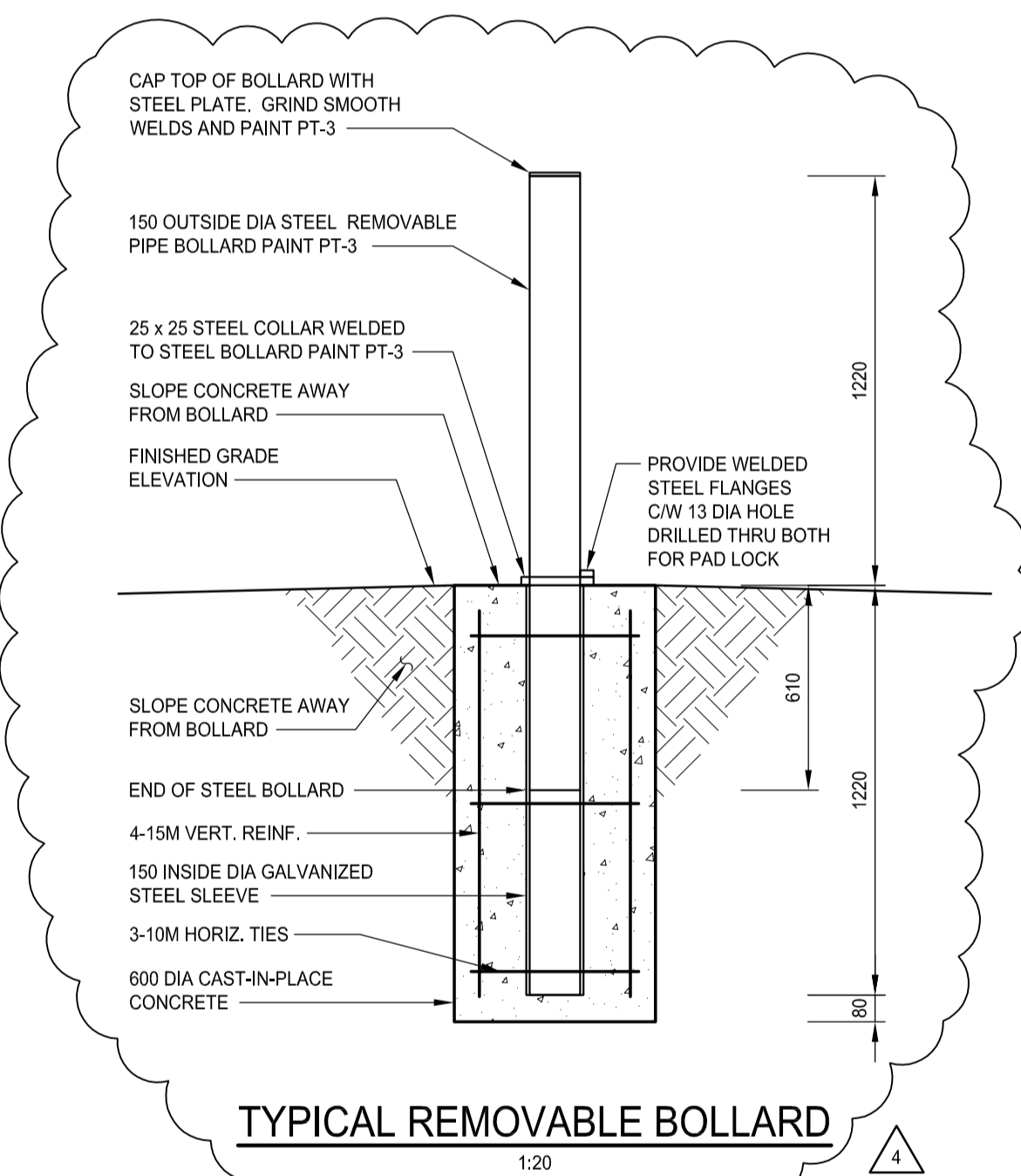
PAINTING

- REFER TO SPECIFICATIONS FOR PAINT FINISHES AND FORMULA.

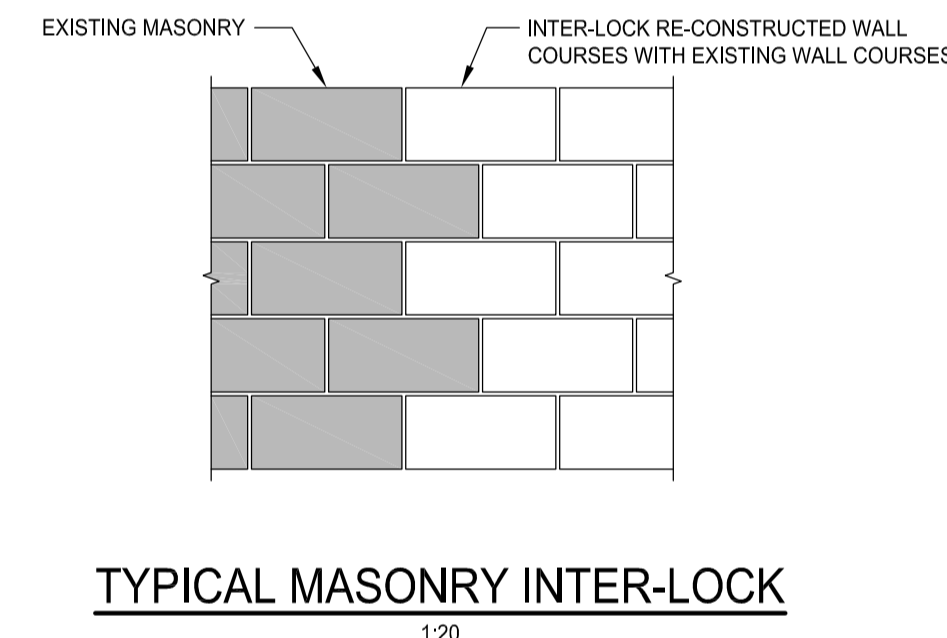
MARK	COLOR	LOCATION
PT-2	GP CL3173M EXCALIBUR	INT. PLYWOOD WALLS AND CEILING
PT-3	GP ENVIROGARD GLOSS SAFETY YELLOW	STEEL PIPE BOLLARDS



TYPICAL WALL SECTION
1:10



TYPICAL REMOVABLE BOLLARD
1:20

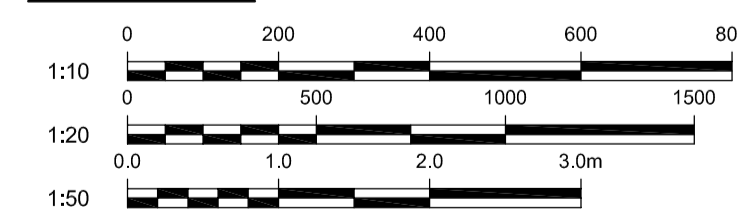


TYPICAL MASONRY INTER-LOCK
1:20

COMMON ABBREVIATIONS

ANC.	- ANCHOR	LG	- LONG
APPROX	- APPROXIMATE	m	- METRES
B.O.	- BOTTOM OF	MAX	- MAXIMUM
BOT	- BOTTOM	MIN	- MINIMUM
C.I.P.	- CAST IN PLACE	mm	- MILLIMETRES
CL	- CENTRE LINE	N/A	- NOT APPLICABLE
CSA	- CANADIAN STANDARDS ASSOCIATION	N.I.C.	- NOT IN CONTRACT
CONC	- CONCRETE	No.	- NUMBER
CONT	- CONTINUOUS	NOM	- NOMINAL
COV	- COVER	N.T.S.	- NOT TO SCALE
C/W	- COMPLETE WITH	O.C.	- ON CENTER
DIA	- DIAMETER	O.D.	- OUTSIDE DIAMETER
EA	- EACH	PL	- PLATE
E.F.	- EACH FACE	P.T.	- PRESSURE TREATED
E.S.	- EACH SIDE	REINF	- REINFORCING
E.W.	- EACH WAY	R.O.	- ROUGH OPENING
ANC.	- EXISTING	R/W	- REINFORCE WITH
FIN	- FINISHED	T.O.	- TOP OF
F.O.	- FACE OF	TYP	- TYPICAL
GALV	- GALVANIZED	U.N.O.	- UNLESS NOTED OTHERWISE
HORIZ	- HORIZONTAL	U/S	- UNDERSIDE
		VERT	- VERTICAL
		W/	- WITH

SCALE LEGEND:



No.	REVISIONS	DATE	BY	DATE
4	GENERAL REVISIONS / ADD. BOLLARDS	09.05.05	GK	
3	ISSUED FOR BID OPPORTUNITY	09.04.17	GK	
2	100% SUBMISSION (FOR C.O.W. REVIEW)	09.03.06	GK	
1	99% SUBMISSION (FOR C.O.W. REVIEW)	09.02.19	GK	

G.B.M. ELEV.				
DESIGNED BY	GK	CHECKED BY	JPL	
DRAWN BY	CDP/CJL	APPROVED BY	JPL	
HOR. SCALE	AS NOTED	RELEASED FOR CONSTRUCTION		
VERT. SCALE	AS NOTED	SIGNED BY:	K. ZUREK	
		DATE	APR. 17, 2009	

ENGINEER'S SEAL	
ORIGINAL SIGNED AND SEALED BY:	G. M. KING, P. ENG
DATED:	2009-04-17
CONSULTANT ACAD DWG. No.:	42084-B-01

THE CITY OF WINNIPEG
WATER AND WASTE DEPARTMENT

REHABILITATION TO THE STANDBY GENERATOR BUILDING AT MANITOBA AND KING EDWARD

STRUCTURAL DEMOLITION & NEW CONSTRUCTION

6090

SHEET 1 OF 3

NOTE: These design documents are prepared solely for the use by the party with whom the design professional has entered into a contract and there are no representations of any kind made by the design professional to any party with whom the design professional has not entered into a contract.

METRIC
WHOLE NUMBERS INDICATE MILLIMETRES
DECIMALIZED NUMBERS INDICATE METRES