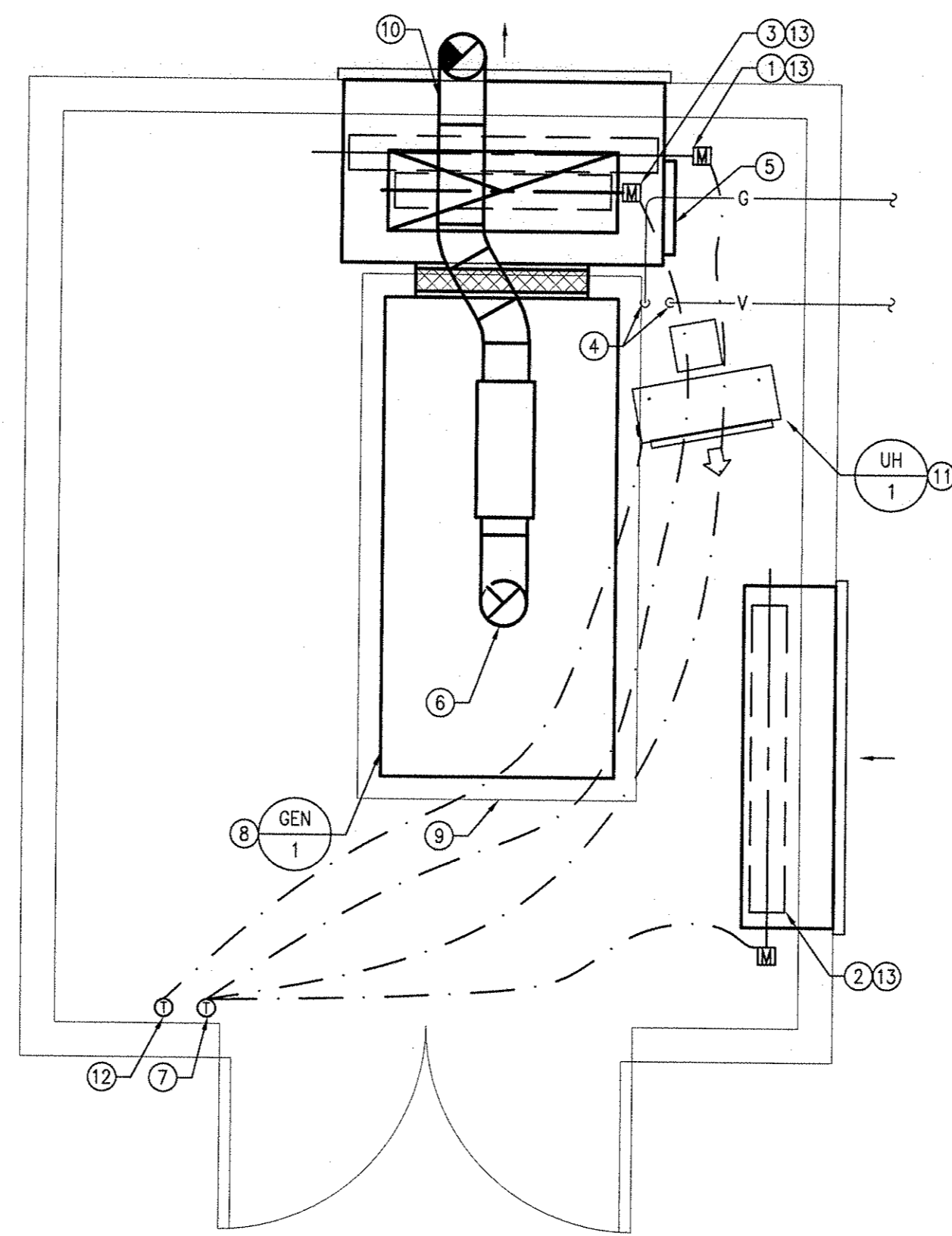
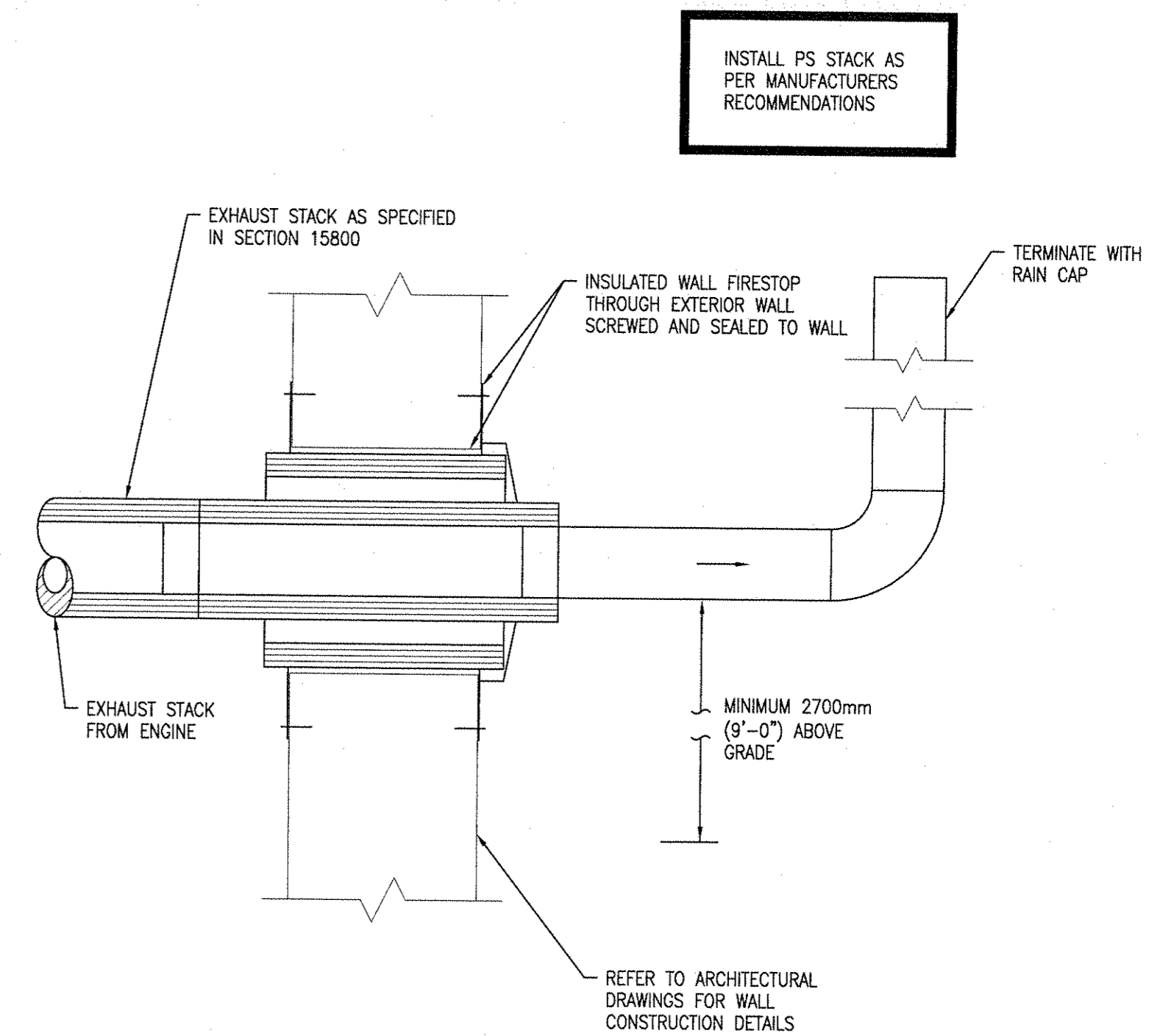


1 MECHANICAL DEMOLITION
SCALE: 1:25
M-1



2 MECHANICAL NEW CONSTRUCTION
SCALE: 1:25
M-1



3 ENGINE EXHAUST THROUGH WALL
SCALE: N.T.S.
M-1

GENERAL NOTES

- A. DO NOT SCALE OF THIS DRAWING. CONTRACTOR SHALL VERIFY ALL DIMENSIONS PRIOR TO INSTALLATION AND REPORT ANY DISCREPANCY TO THE CONTRACT ADMINISTRATOR.
- B. EXISTING MECHANICAL EQUIPMENT AND PIPING SHOWN BASED ON RECENT SITE SURVEY. CONTRACTOR SHALL PERFORM A SITE WALK-THROUGH TO CONFIRM "AS-FOUND" CONDITIONS.
- C. REMOVED MATERIALS SHALL BE DISPOSED OF BY THE CONTRACTOR UNLESS CLAIMED AS SALVAGE BY THE CONTRACT ADMINISTRATOR.

DRAWING NOTES

- 1. EXISTING RADIATOR EXHAUST AIR LOUVRE TO REMAIN.
- 2. EXISTING INTAKE AIR LOUVRE TO REMAIN.
- 3. EXISTING ELECTRIC UNIT HEATER TO BE REMOVED BY DIV. 16.
- 4. REMOVE EXISTING GENERATOR EXHAUST CHIMNEY AND SILENCER.
- 5. EXISTING GAS PIPE TO REMAIN. CHECK INTEGRITY OF ALL FITTINGS AND PIPING.
- 6. EXISTING VENT PIPE TO REMAIN. CHECK INTEGRITY OF ALL FITTINGS AND PIPING.
- 7. EXISTING GENERATOR TO BE REMOVED BY CONTRACTOR. EXISTING PIPING AND DUCTWORK TO BE DISCONNECTED BY DIV. 15.
- 8. DAMPER CONTROL DEVICE, WIRING AND CONDUIT TO BE REMOVED BY DIV. 15.
- 9. EXISTING THERMOSTAT TO BE REMOVED BY DIV. 16.
- 10. UNIT HEATER THERMOSTAT AND WIRING TO BE REMOVED BY DIV. 16.

DRAWING NOTES

- 1. NEW 1400H X 1400W MOTORIZED TAMCO 9000 INSULATED DAMPER C/W BELIMO ACTUATOR. CONTRACTOR TO VERIFY THE EXACT DIMENSION ON SITE.
- 2. NEW 1500H X 1500W MOTORIZED TAMCO 9000 INSULATED DAMPER C/W BELIMO ACTUATOR. CONTRACTOR TO VERIFY THE EXACT DIMENSION ON SITE.
- 3. NEW 1000X350 MOTORIZED GALVANIZED STEEL OPPOSED BLADE DAMPER C/W BELIMO ACTUATOR.
- 4. ADJUST VERTICAL GAS PIPE AND VENT PIPE LOCATION TO ACCOMMODATE THE GAS INLET LOCATION OF NEW GENERATOR. BALANCE VALVE AND REGULATOR TO MEET GAS FLOWRATE AND PRESSURE REQUIREMENTS OF NEW GENERATOR.
- 5. DAMPER ACCESS DOOR.
- 6. NEW PS CHIMNEY AND SILENCER SUSPENDED FROM STRUCTURE. FINAL SELECTION AND SIZING TO BE THE RESPONSIBILITY OF GENERATOR SUPPLIER.
- 7. NEW THERMOSTAT, PROVIDED AND WIRED BY DIV. 15.
- 8. NEW GENERATOR BY DIV. 16.
- 9. NEW CONCRETE HOUSEKEEPING PAD FOR NEW GENERATOR (BY CONTRACTOR).
- 10. REFER TO DETAIL 3/M-1.
- 11. NEW ELECTRIC UNIT HEATER BY DIV. 16, SAME CAPACITY AS EXISTING.
- 12. UNIT HEATER THERMOSTAT BY DIV. 16.
- 13. WIRE TO EXISTING 120V CIRCUIT BY DIV. 15 AND PROVIDE CONTROL TRANSFORMER AS REQUIRED.

Apr 16, 2009 - 3:20pm
 C:\PROJECTS\2009\6091\6091.dwg
 SMS Engineering Ltd.

G.B.M. ELEV.					
SMS ENGINEERING					
<small>SMS Engineering Ltd. Consulting Engineers 770 Broadway Street Winnipeg, MB Canada R3M 0K4 Telephone: 204.775.0091 Fax: 204.772.2103 sms@smseng.com</small>					
DESIGNED BY	TOS	CHECKED BY	RL		
DRAWN BY	JPL	APPROVED BY	RL		
3 ISSUED FOR BID OPPORTUNITY	16.04.09	RL	HOR. SCALE	AS NOTED	RELEASED FOR CONSTRUCTION
2 ISSUED FOR REVIEW	08.03.09	RL	VERT. SCALE	AS NOTED	SIGNED BY
1 ISSUED FOR REVIEW	18.02.09	RL			K. ZUREK
No. REVISIONS	DATE	BY	DATE	FEB. 2009	DATE APRIL 16, 2009

ENGINEER'S SEAL

CONSULTANT ACAD DWG. No.: M-1

THE CITY OF WINNIPEG
WATER AND WASTE DEPARTMENT

REHABILITATION TO THE
STANDBY GENERATOR BUILDING
AT MANITOBA AND KING EDWARD

**MECHANICAL DEMOLITION
& NEW CONSTRUCTION**

CITY DWG. NO.
6091

SHEET 2 OF 3

APEGM
Certificate of Authorization
SMS Engineering Ltd.
No. 166 Expiry: April 30, 2009