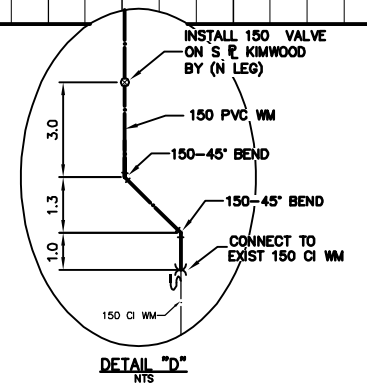
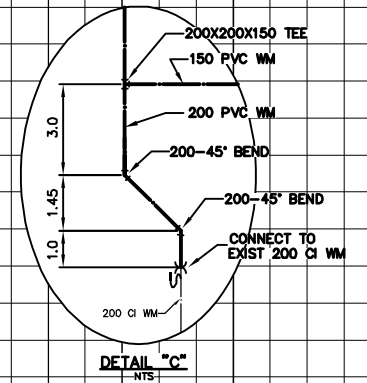


0+72.84 EXIST 200X200X150 TEE
 0+73.84 EXIST 200X200X150 TEE
 0+74.84 EXIST BEND
 0+75

0+86.25 INSTALL 150-22.5° BEND
 0+88.36 ABANDON EXIST VALVE
 0+88.75 INSTALL 150 VALVE
 0+90.834 E R. MERRIWOOD AVE
 0+91.76 REMOVE EXIST HYDRANT
 0+92.15 INSTALL HYDRANT (SD-007)
 0+93.75 INSTALL 150X150X150 TEE

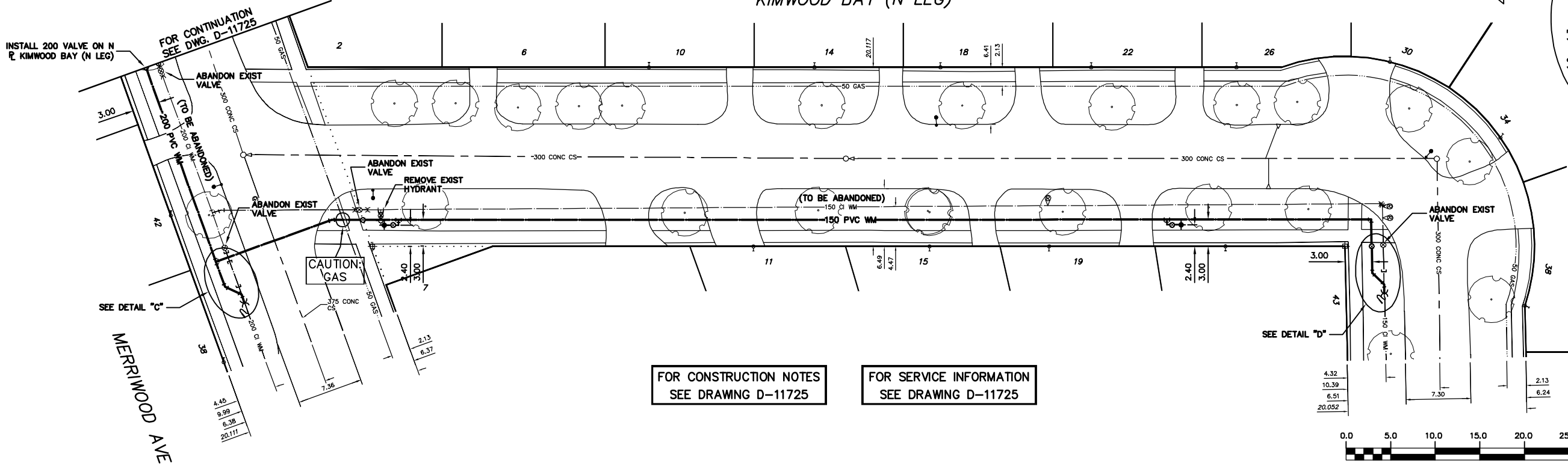
1+80.00 INSTALL 150X150X150 TEE
 1+81.80 INSTALL HYDRANT (SD-007)

2+00 W R. KIMWOOD BY (E LEG)
 2+03.00 INSTALL 150-90° BEND
 2+04.17 EXIST BEND



NOTE: CHAINAGES SHOWN ARE ALONG S R. OF KIMWOOD BY (N LEG)

KIMWOOD BAY (N LEG)



FOR CONSTRUCTION NOTES
SEE DRAWING D-11725

FOR SERVICE INFORMATION
SEE DRAWING D-11725

METRIC
WHOLE NUMBERS INDICATE MILLIMETRES
DECIMALIZED NUMBERS INDICATE METRES

NOTE: ALL VALVES TO BE INSTALLED COUNTERCLOCKWISE TO CLOSE

WARNING

IF POWER EQUIPMENT OR EXPLOSIVES ARE TO BE USED FOR EXCAVATION ON THIS PROJECT THE CONTRACTOR MUST:

- 1) NOTIFY THE GAS COMPANY OF THE PROPOSED LOCATION OF EXCAVATION.
- 2) TAKE PRECAUTION TO AVOID DAMAGE TO GAS COMPANY INSTALLATIONS.

SEE PROVINCIAL REGULATION 210/72 FOR DETAILS

200 WM	WATERMAIN	200 WM	SL, HYDRO	150 WM	WATERMAIN	150 WM
⊕	HYDRANT	⊕	MTS	+	HYDRANT	+
⊙	VALVE	⊙	TRAFFIC SIGNALS	X	VALVE	X
525 LDS	LAND DRAINAGE SEWER	525 LDS	GAS	50 GAS	300 LDS	LAND DRAINAGE SEWER
375 WWS	WASTEWATER SEWER	375 WWS	SURVEY BAR	250 WWS	250 WWS	WASTEWATER SEWER
○	MANHOLE	●	FENCE	X	⊕	PROFILE
□	CATCH BASIN	■	POLE - HYDRO, MTS	=====	⊕	GROUND ABOVE PIPE
▽	CURB INLET	▽	CURB STOP	⊕	⊕	DITCH (NORTH & WEST)
∇	REDUCER	∇	GUY ANCHOR	⊕	⊕	DITCH (SOUTH & EAST)
X	COUPLER	X	LIGHT STANDARD	⊕	⊕	GUTTER (NORTH & WEST)
⊕	ANODE	⊕	TREE	⊕	⊕	GUTTER (SOUTH & EAST)
EXISTING	LEGEND-PLAN	PROPOSED	EXISTING	LEGEND-PLAN	PROPOSED	EXISTING
				LEGEND-PROFILE		PROPOSED

LOCATION APPROVED UNDERGROUND STRUCTURES

SUPV. U/G STRUCTURES COMMITTEE DATE

NOTE:
 LOCATION OF UNDERGROUND STRUCTURES AS SHOWN ARE BASED ON THE BEST INFORMATION AVAILABLE BUT NO GUARANTEE IS GIVEN THAT ALL EXISTING UTILITIES ARE SHOWN OR THAT THE GIVEN LOCATIONS ARE EXACT. CONFIRMATION OF EXISTENCE AND EXACT LOCATION OF ALL SERVICES MUST BE OBTAINED FROM THE INDIVIDUAL UTILITIES BEFORE PROCEEDING WITH CONSTRUCTION.

CITY OF WINNIPEG
 WATER AND WASTE
 ENGINEERING DIVISION

DESIGNED BY DB CHECKED BY NC
 DRAWN BY C.J.H. APPROVED BY K.Z.

HOR. SCALE 1:250
 VERTICAL 1:50

DATE 2009 03 12

ENGINEER'S SEAL

ORIGINAL SIGNED BY K.R. ZUREK 09/03/12

BID OPPORTUNITY 196-2009
 FILENAME: D-11724.dwg
 PLOT DATE: 2009 03 13

THE CITY OF WINNIPEG
 WATER AND WASTE DEPARTMENT

2009 WATERMAIN RENEWALS
 CONTRACT 4
KIMWOOD BAY (N LEG)
 MERRIWOOD AVENUE TO
 KIMWOOD BAY (E LEG)

SHEET 7 OF 10
 CITY DRAWING NUMBER
D-11724