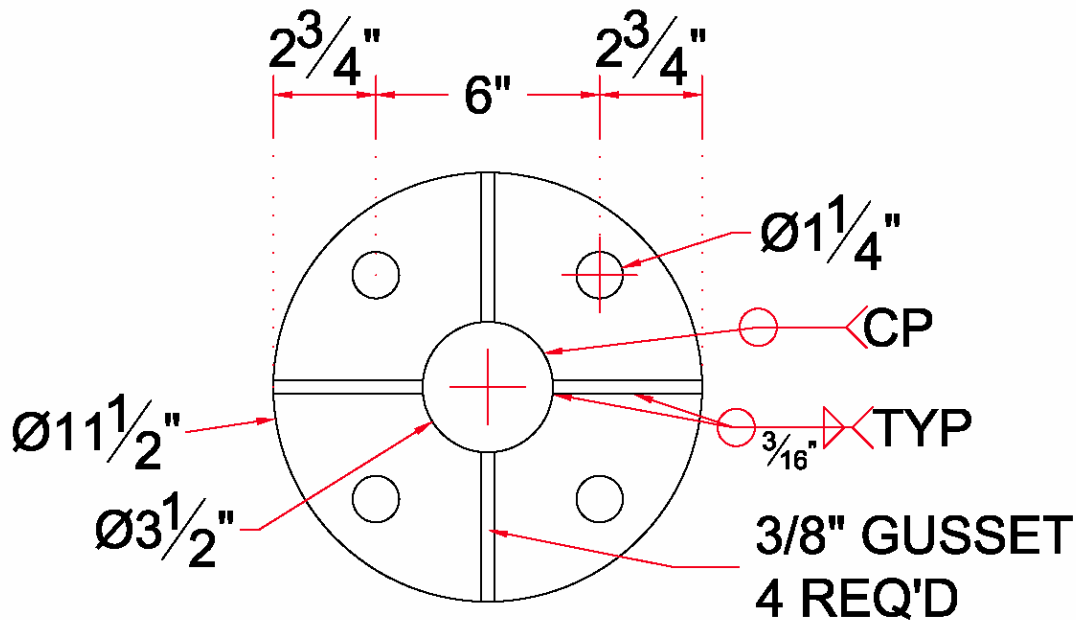


# S/F NON-ILLUMINATED DIRECTIONAL HIGHWAY DISPLAY



## BASEPLATE DETAIL

3" Ø HOT DIPPED GALVANIZED STD PIPE  
11 1/2" Ø x 3/4" BASEPLATE C/W  
FOUR (4) 1 1/4" Ø HOLES @ 6" O/C  
FOUR (4) 3/4" Ø x 3'-0" ANCHOR BOLTS  
FOUR (4) 8" x 3/8" x 4" GUSSET PLATES