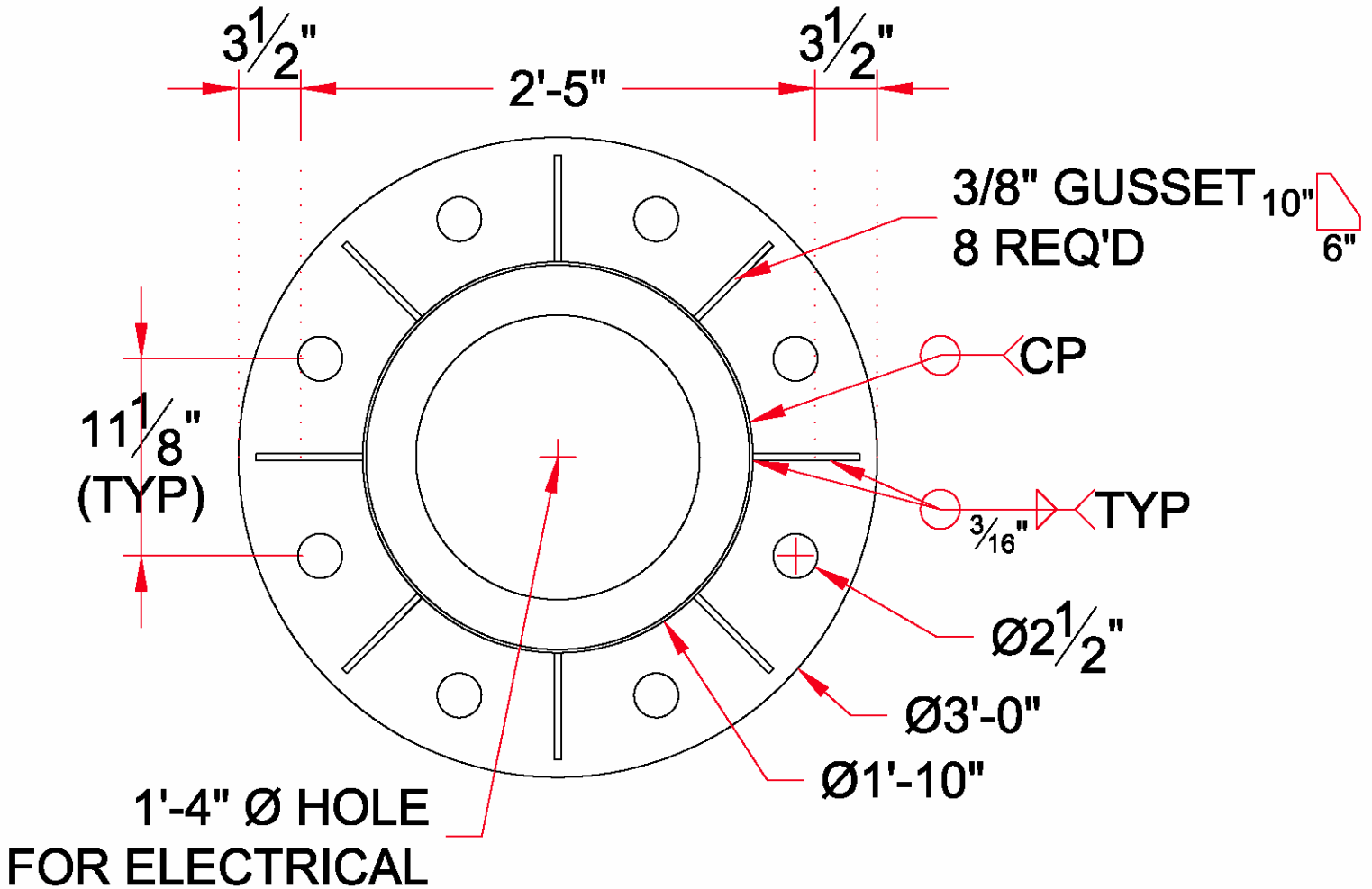


S/F FLAG STYLE INFORMATION HIGHWAY DISPLAY



BASEPLATE DETAIL

22" STD PIPE

3'-0" Ø x 2" BASEPLATE C/W

EIGHT (8) 2 1/2" Ø HOLES @ 29" BOLT CIRCLE

EIGHT (8) 2" Ø x 5'-0" ANCHOR BOLTS

EIGHT (8) 8" x 3/8" x 6" GUSSET PLATES

Tender No.

202-2009

City Drawing No.

W09-0008 E2



Fluorescent, Neon and HID lamps contain Mercury. Dispose of these lamps according to Local, Provincial, State or Federal Laws.



REVISION HISTORY

1	
2	
3	