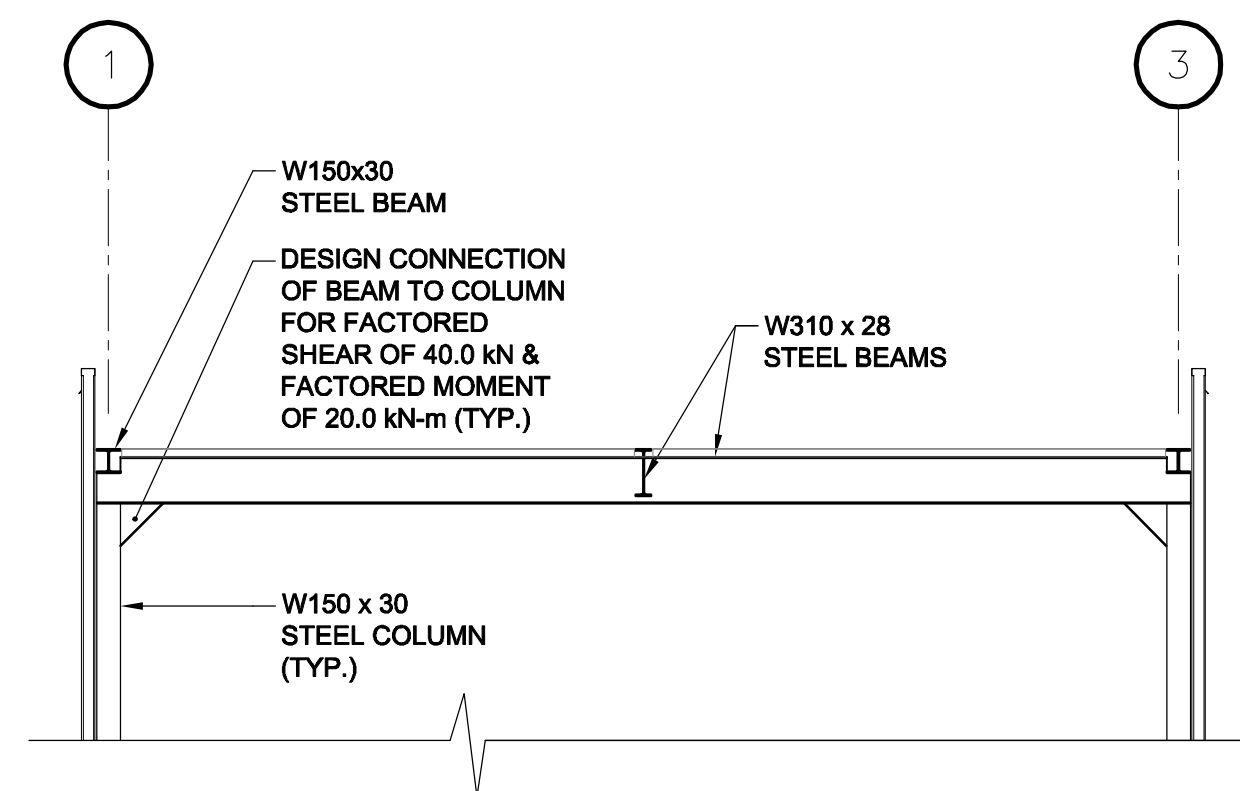


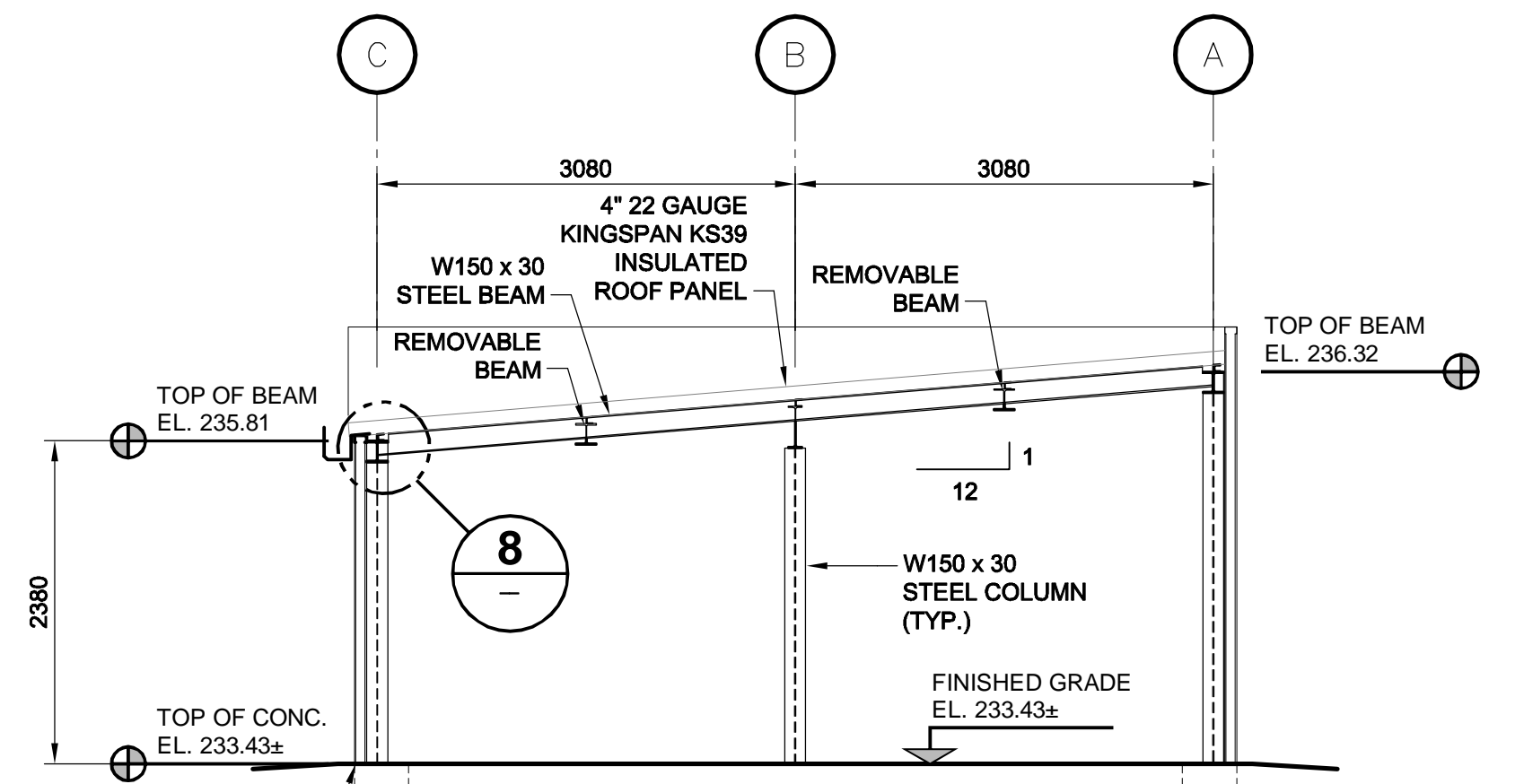
PLAN

SCALE 1:50  
STEEL FRAMING PLAN



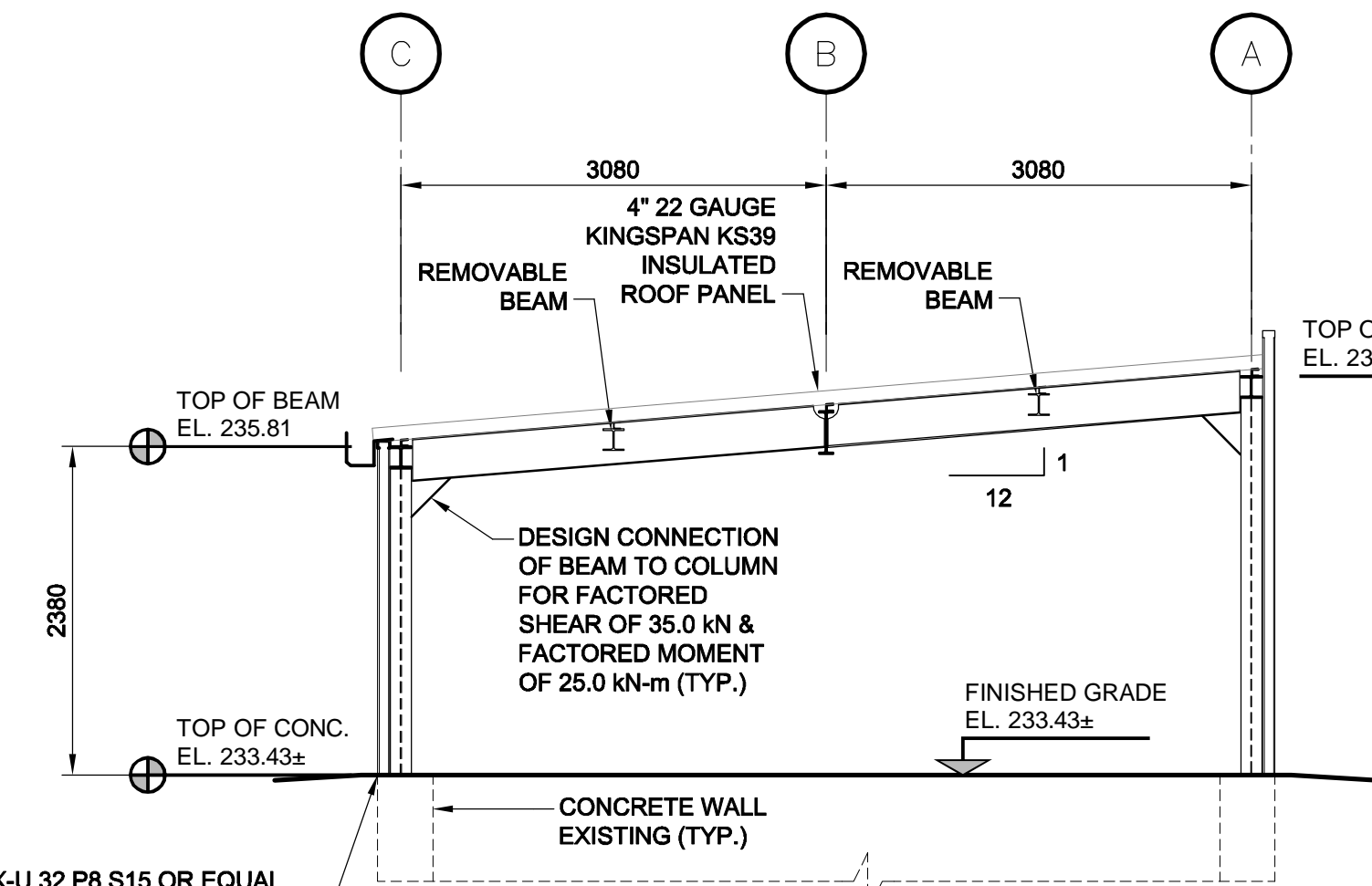
SECTION 2

SCALE 1:50



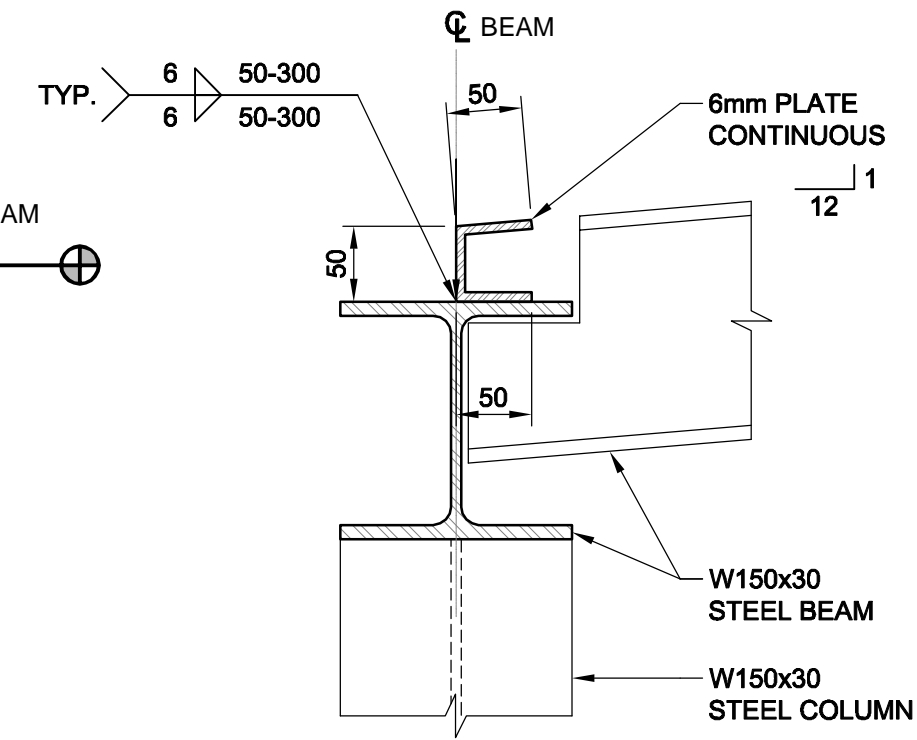
ELEVATION 3

SCALE 1:50



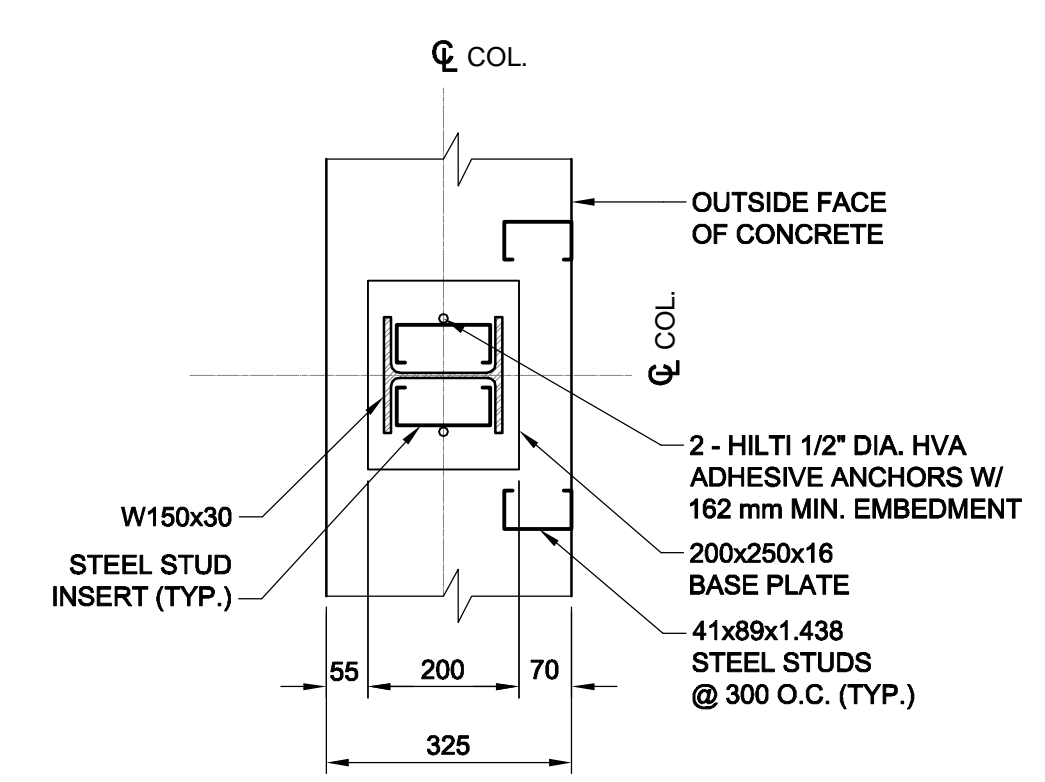
SECTION 4

SCALE 1:50



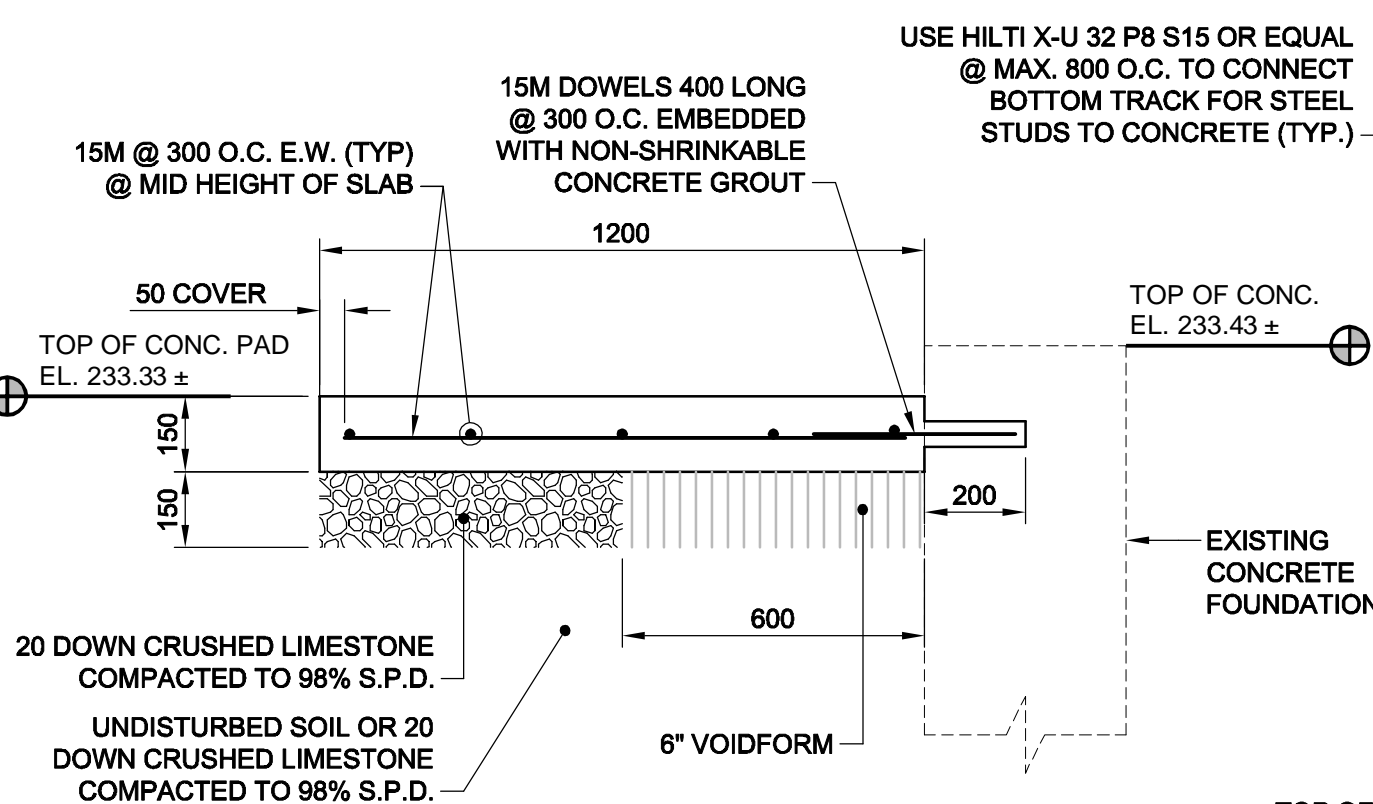
DETAIL 8

SCALE 1:5



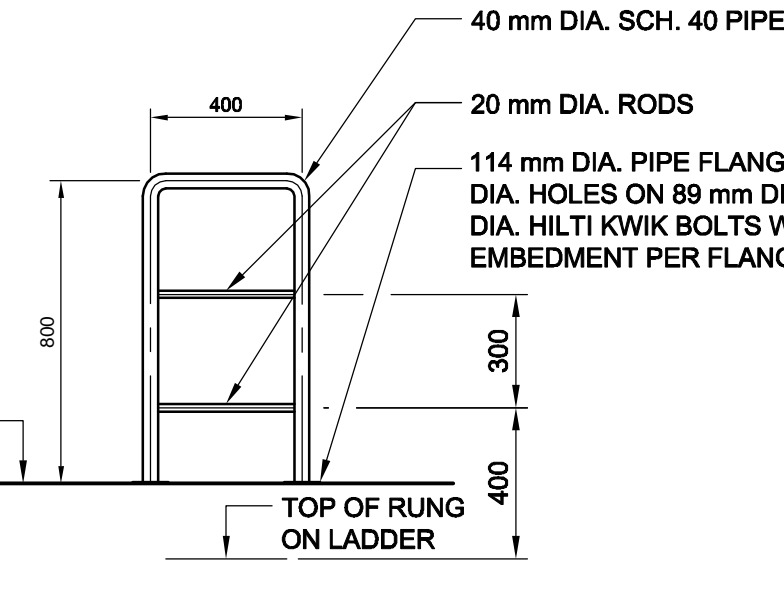
DETAIL 7

SCALE 1:10



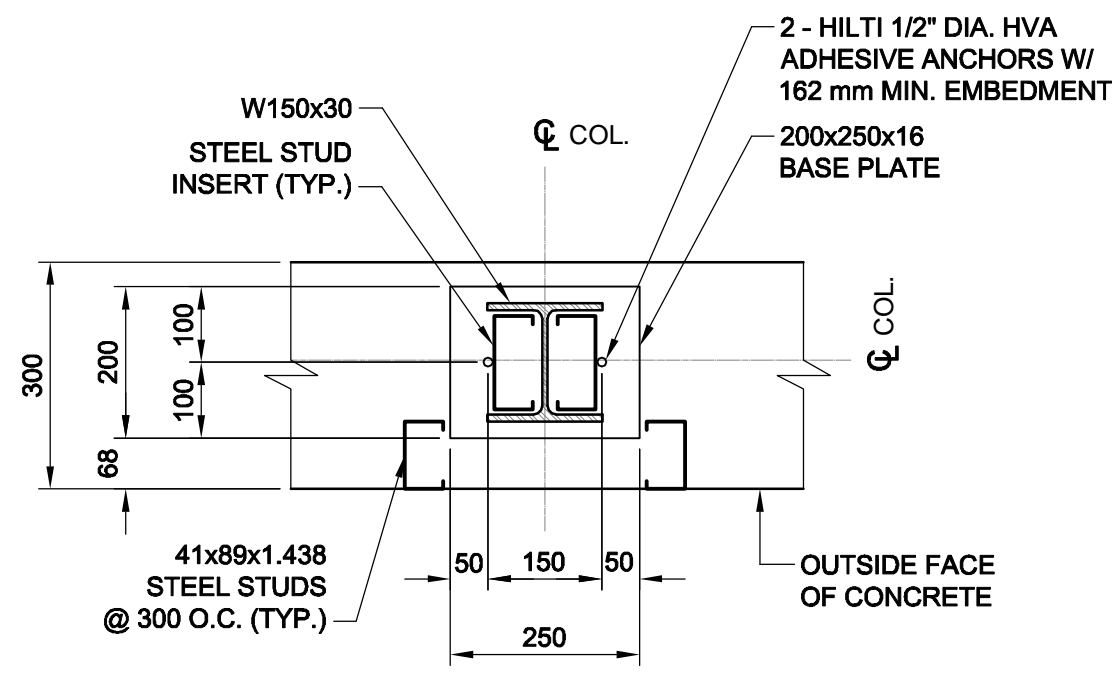
SECTION 10

SCALE 1:15



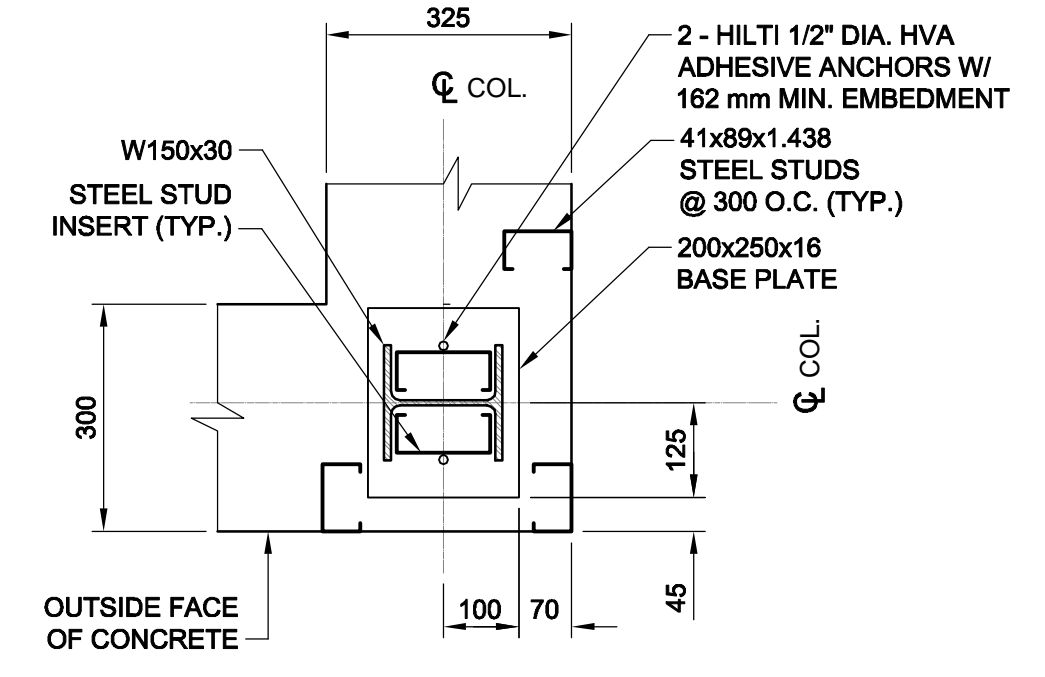
DETAIL 9

SCALE 1:20



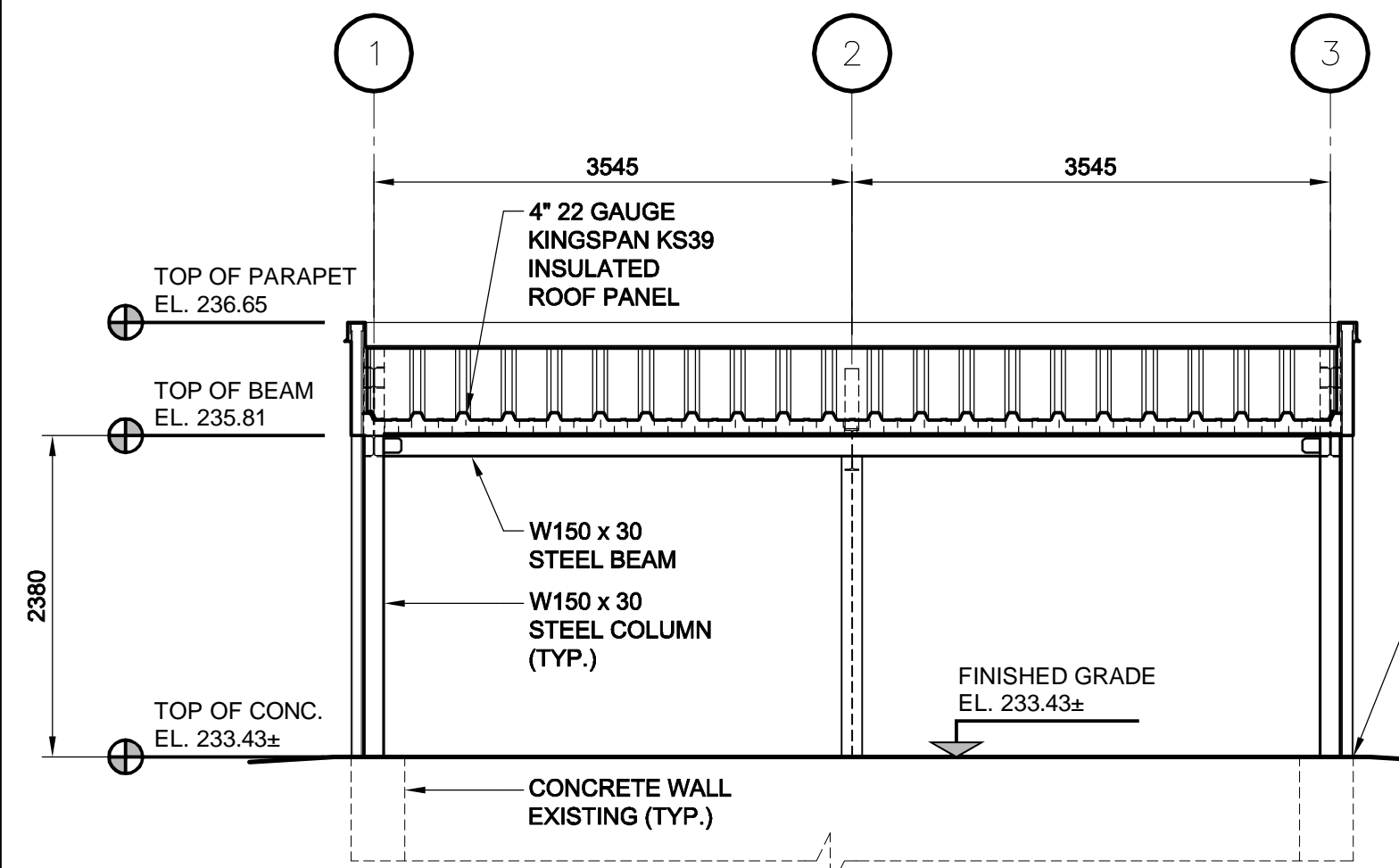
DETAIL 5

SCALE 1:10



DETAIL 6

SCALE 1:10



ELEVATION 1

SCALE 1:50

**LOCATION APPROVED UNDERGROUND STRUCTURES**

SUPR. U/G STRUCTURES COMMITTEE	DATE

**NOTE:** LOCATION OF UNDERGROUND STRUCTURES AS SHOWN ARE BASED ON THE BEST INFORMATION AVAILABLE. BUT NO GUARANTEE IS GIVEN THAT ALL EXISTING UTILITIES ARE SHOWN OR THAT THE GIVEN LOCATIONS ARE EXACT. CONFIRMATION OF EXISTENCE AND EXACT LOCATION OF ALL SERVICES MUST BE OBTAINED FROM THE INDIVIDUAL UTILITIES BEFORE PROCEEDING WITH CONSTRUCTION.

NO.	REVISIONS	YYMMDD	BY
0	ISSUED FOR CONSTRUCTION	09/04/24	EDM

**AECOM**

DESIGNED BY	GEB	CHECKED BY	SBB
DRAWN BY	EDM	APPROVED BY	Bryan Weber
HOR. SCALE	1:50	RELEASED FOR CONSTRUCTION	Linda Hoehn
VERT. SCALE	1:50	DATE	09/04/30

PROFESSIONAL'S SEAL

Revision 0  
ISSUED FOR CONSTRUCTION  
WAS SEALED BY  
G. E. BLAZEK  
AND DATED  
09/04/24

CONSULTANT DRAWING NO.  
D265-236-00\_01-S-1001\_RX.dwg



**THE CITY OF WINNIPEG WATER AND WASTE DEPARTMENT**

**CONSTRUCTION OF VALVE CHAMBER SUPERSTRUCTURE, INSTALLATION OF VALVE ACTUATORS & ASSOCIATED WORKS**

STRUCTURAL STEEL FRAMING PLAN SECTIONS & ELEVATIONS

SHEET 6 OF 10  
CITY DRAWING NUMBER  
D-11758

BID OPPORTUNITY NO. 237-2009