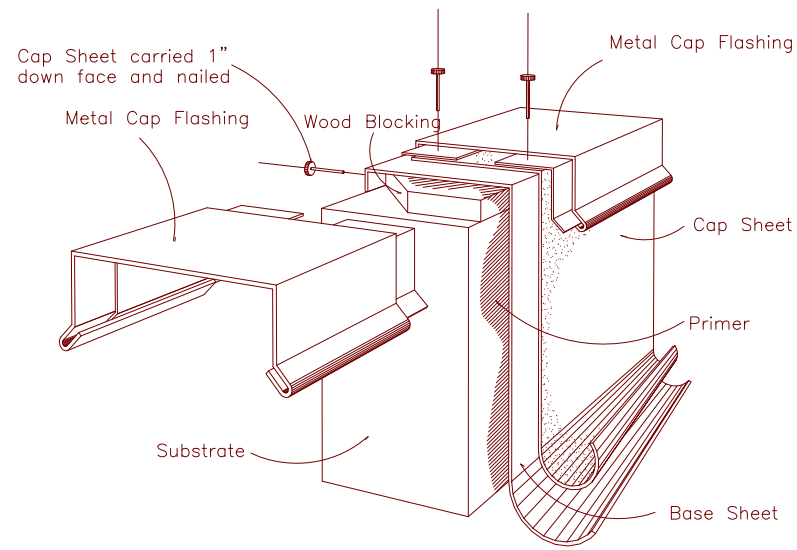
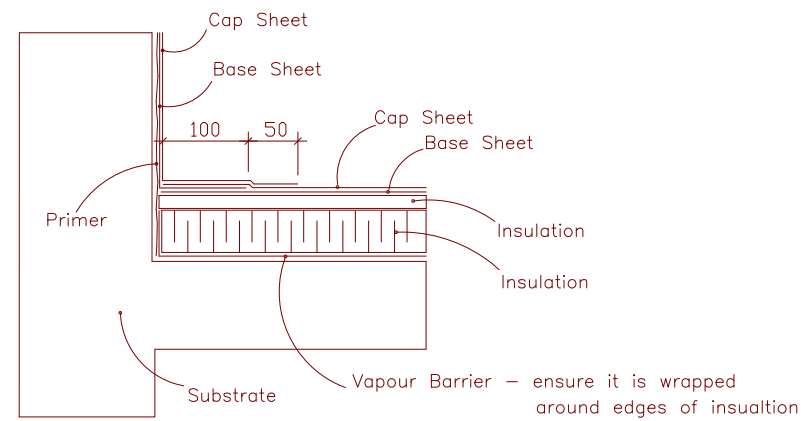


# Typical Parapet Cap

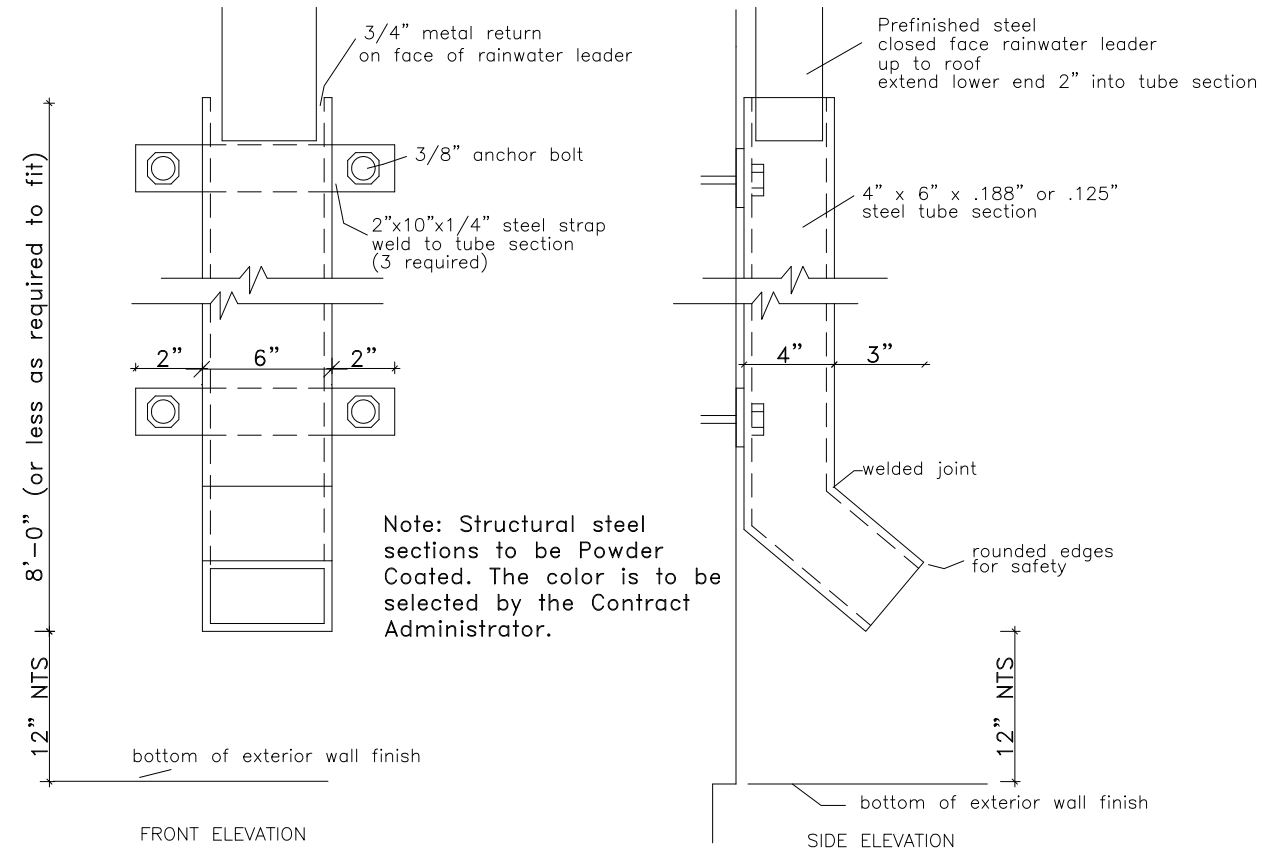


# Typical Roof Edge Detail

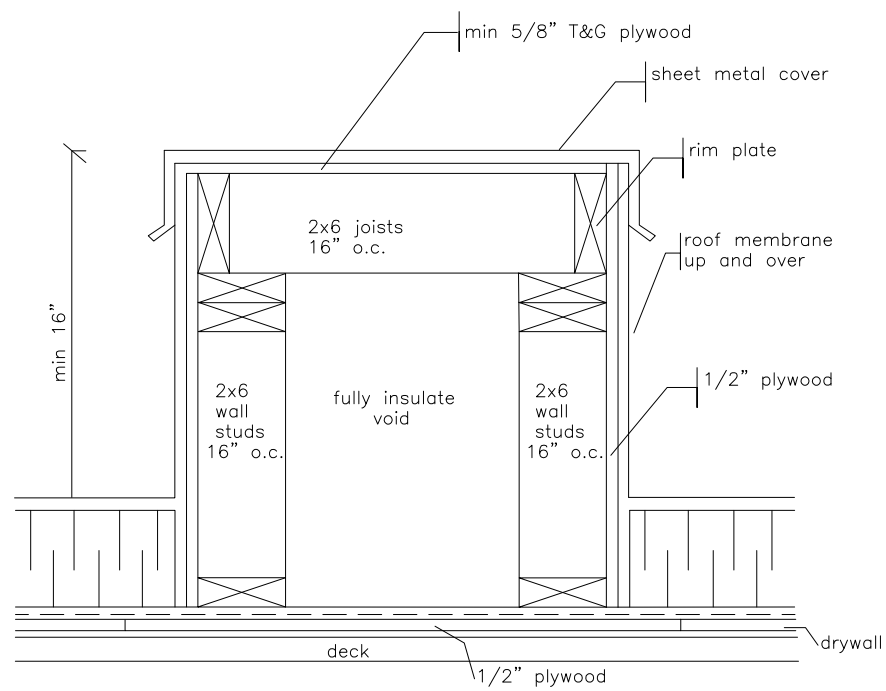


Note: Modified Bitumen stripping used in conjunction with 4 ply felt membrane is to have base sheet extend 12" onto flat and cap sheet 18" onto flat.

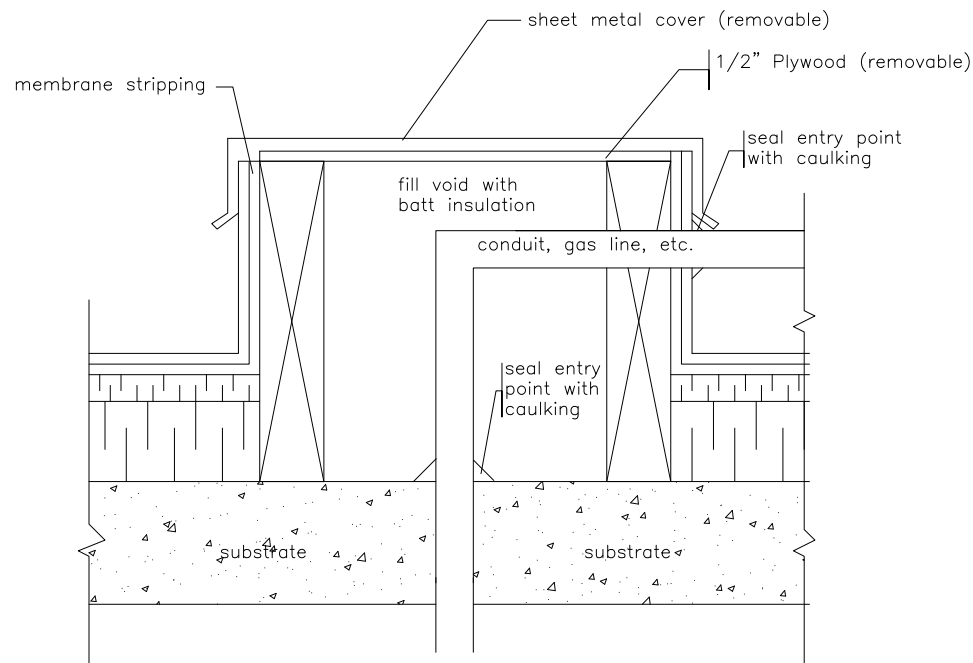
# Structural Down Pipes



# Covered Mechanical Curb



# Typical Curb Style Pitch Box



Note: vapour barrier is to be carried under curb

<b>AGASSIZ CONSULTING GROUP</b>	
809 Pipeline Road, Winnipeg, Manitoba Phone: 697-8091 Fax: 697-8039	
Project: Eastend Community Center 517 Pandora Avenue East Winnipeg, MB	
Date: March 21, 2009	
Drawing No. D-1	
File no: 4061-09	Scale: N.T.S.