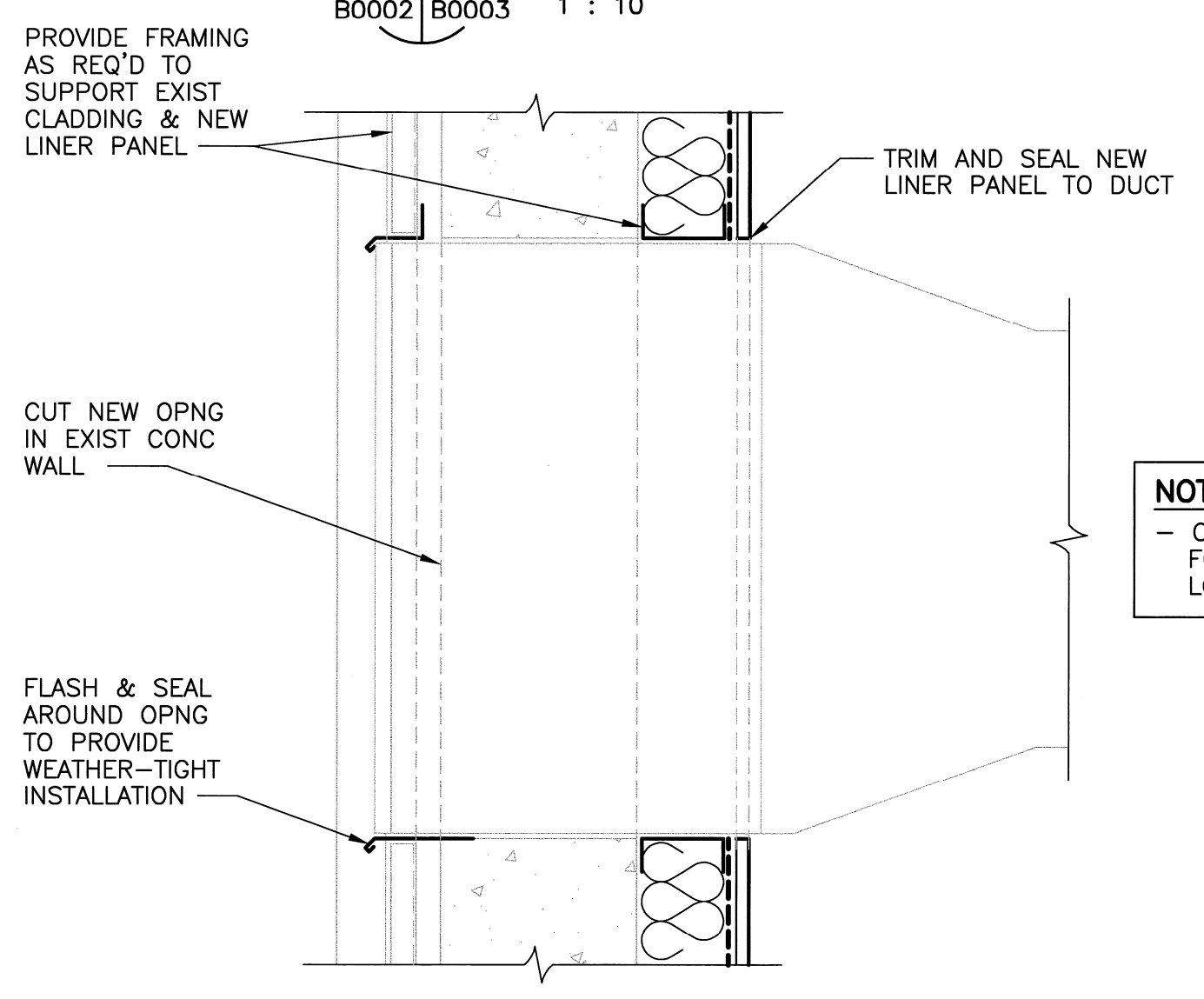


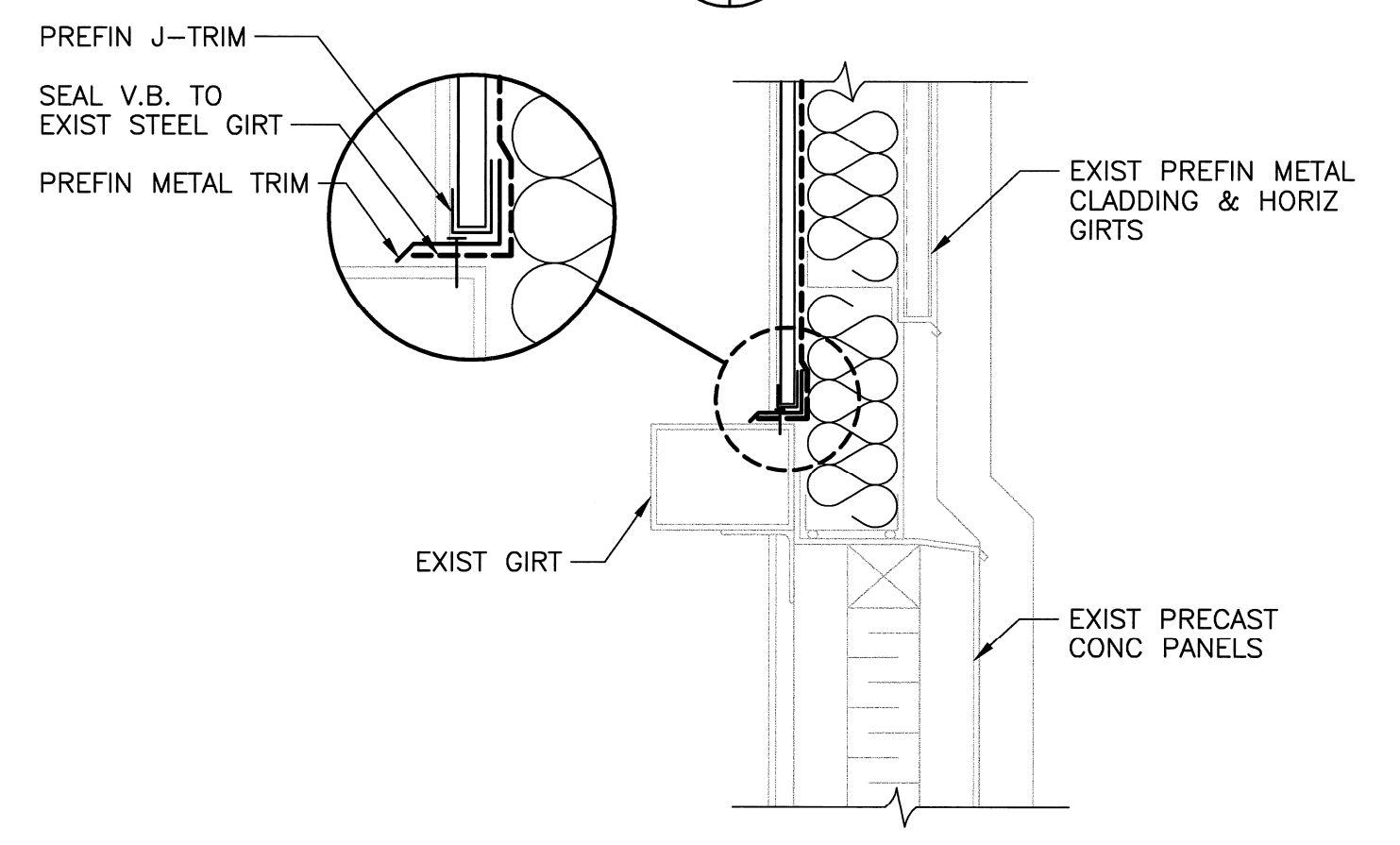
1 SECTION
B0002 | B0003 1 : 10

2 SECTION
B0002 | B0003 1 : 10

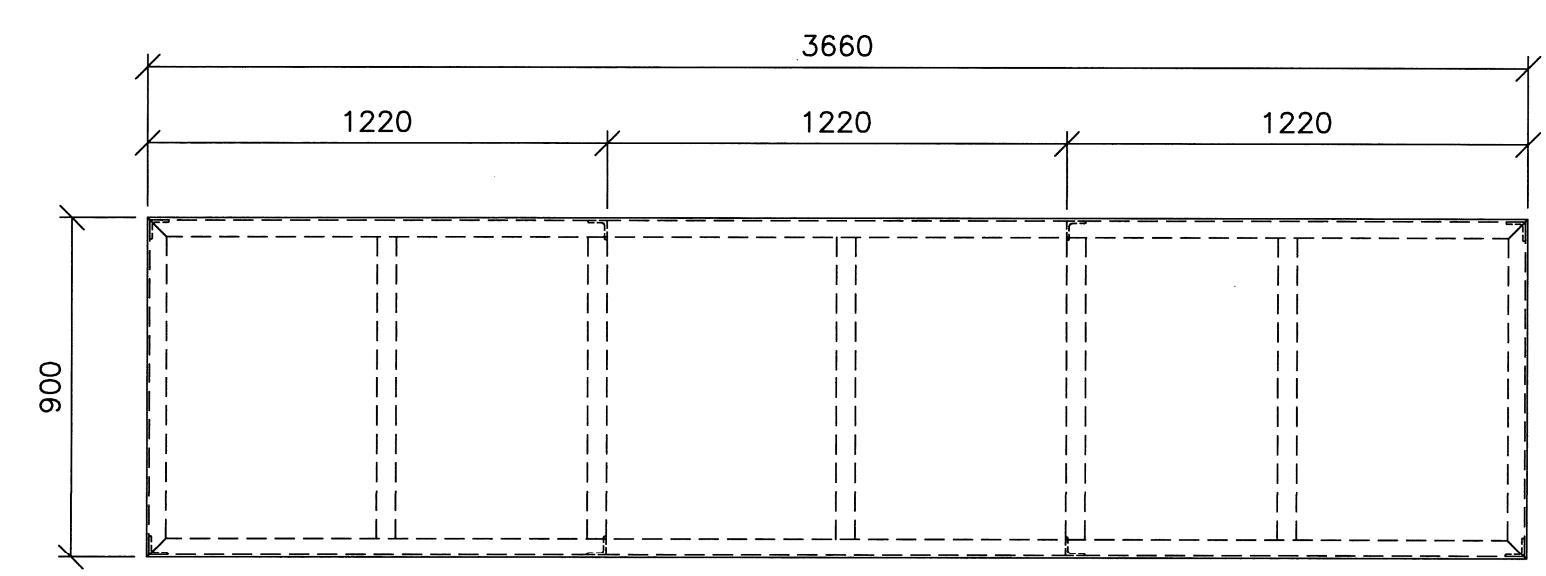
3 SECTION
B0002 | B0003 1 : 10



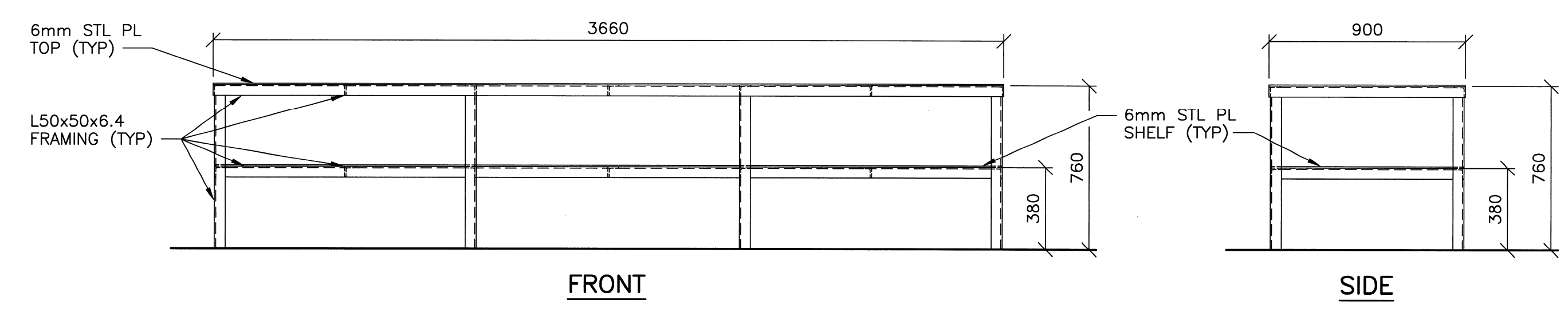
5 WALL PENETRATION DETAIL
B0002 | B0003 1 : 10



4 SECTION
B0002 | B0003 1 : 10



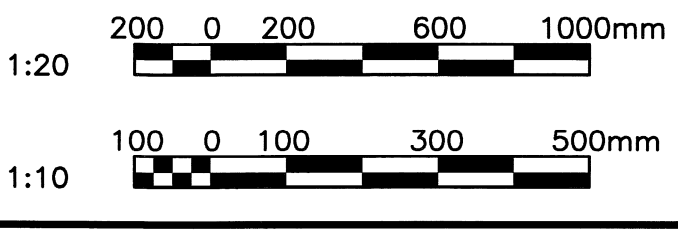
PLAN



FRONT

SIDE

6 TYPICAL WORK BENCH
B0001 | B0003 1 : 20



00	ISSUED FOR TENDER	09.04.17	
NO.	DESCRIPTION	DATE	ISSUED BY
REVISIONS/ISSUE			
<small>THE CONTENT OF THIS DOCUMENT IS NOT INTENDED FOR THE USE OF, NOR IS IT INTENDED TO BE RELIED UPON BY ANY PERSON, FIRM OR CORPORATION, OTHER THAN THE CLIENT AND WARDROP ENGINEERING INC. WARDROP ENGINEERING DENIES ANY LIABILITY WHATSOEVER TO OTHER PARTIES FOR DAMAGES OR INJURY SUFFERED BY SUCH THIRD PARTY ARISING FROM USE OF THIS DOCUMENT BY THEM, WITHOUT THE EXPRESS PRIOR WRITTEN AUTHORITY OF WARDROP ENGINEERING AND OUR CLIENT. THIS DOCUMENT IS SUBJECT TO FURTHER RESTRICTIONS IMPOSED BY THE CONTRACT BETWEEN THE CLIENT AND WARDROP ENGINEERING INC. AND THESE PARTIES' PERMISSION MUST BE SOUGHT REGARDING THIS DOCUMENT IN ALL OTHER CIRCUMSTANCES.</small>			
CLIENT			
CITY OF WINNIPEG PUBLIC WORKS TRAFFIC SERVICES			
WARDROP Engineering Inc.			
PROJECT NAME RENOVATIONS FOR PAVEMENT MARKING OPERATIONS FACILITY			
DRAWING DESCRIPTION MISCELLANEOUS SECTIONS AND DETAILS			
DESIGNED BY:	D.L.P.	DRAWN BY:	E.V.
CHECKED BY:		APPROVED BY:	
SCALE:	AS NOTED	DATE:	09.02.04
DRAWING NO.	0900070300-DWG-B0003		REV. 00