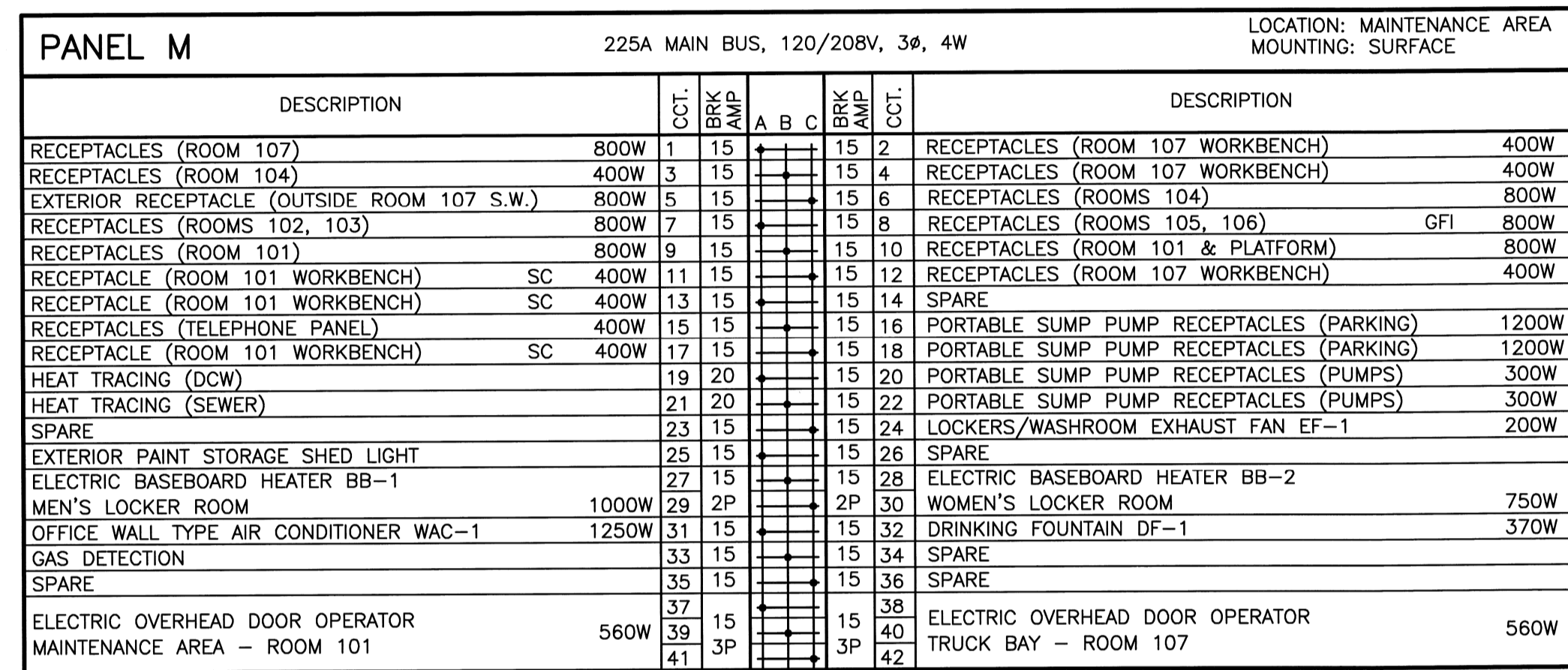


* INTERLOCK 347V BATTERY FEED WITH GENERAL LIGHTING IN EACH AREA TO ACTIVATE EMERGENCY LIGHTING UPON LOSS OF GENERAL LIGHTING. PROVIDE RELAYS AS REQUIRED.



MOTOR SCHEDULE										
EQUIPMENT NUMBER	DESCRIPTION	LOCATION	VOLTAGE/φ	ELECTRICAL LOAD		CIRCUIT BREAKER	WIRE SIZE	STARTER		NOTES
				M.C.A.	HP			MAN	MAG	
AHU-1	AIR HANDLING UNIT	MAINTENANCE AREA	600/3φ	33	2	20	40A, 3P	8		1, 4
AHU-2	AIR HANDLING UNIT	MAINTENANCE AREA	600/3φ	70.5	2	50	100A, 3P	3		1, 4
EF-1	LOCKERS/WASHROOM EXHAUST	MAINTENANCE AREA	120/1φ		1/4		15A, 1P	12	X	1, 2, 4
SP-1	SUBMERSIBLE PUMP	LIFT STATION (LS-1)	347		1.5			1, 3, 4
SP-2	SUBMERSIBLE PUMP	LIFT STATION (LS-1)	347		1.5			1, 3, 4
UH-1	ELECTRICAL UNIT HEATERS (2)	MAINTENANCE AREA/PAINT STORAGE	600/3φ			15	20A, 3P	12		1, 4
UH-2	ELECTRICAL UNIT HEATERS (2)	MAINTENANCE AREA/PAINT STORAGE	600/3φ			10	15A, 3P	12		1, 4
EWH-1	ELECTRIC STORAGE WATER HEATER	MAINTENANCE AREA	600/3φ			24	30A, 3P	10		1, 4
WAC-1	WALL TYPE AIRCONDITIONER	OFFICE	120/1φ		1.25		15A, 1P	12		1, 4
DF-1	DRINKING FOUNTAIN	MAINTENANCE AREA	120/1φ		0.37		15A, 1P	12		1, 4

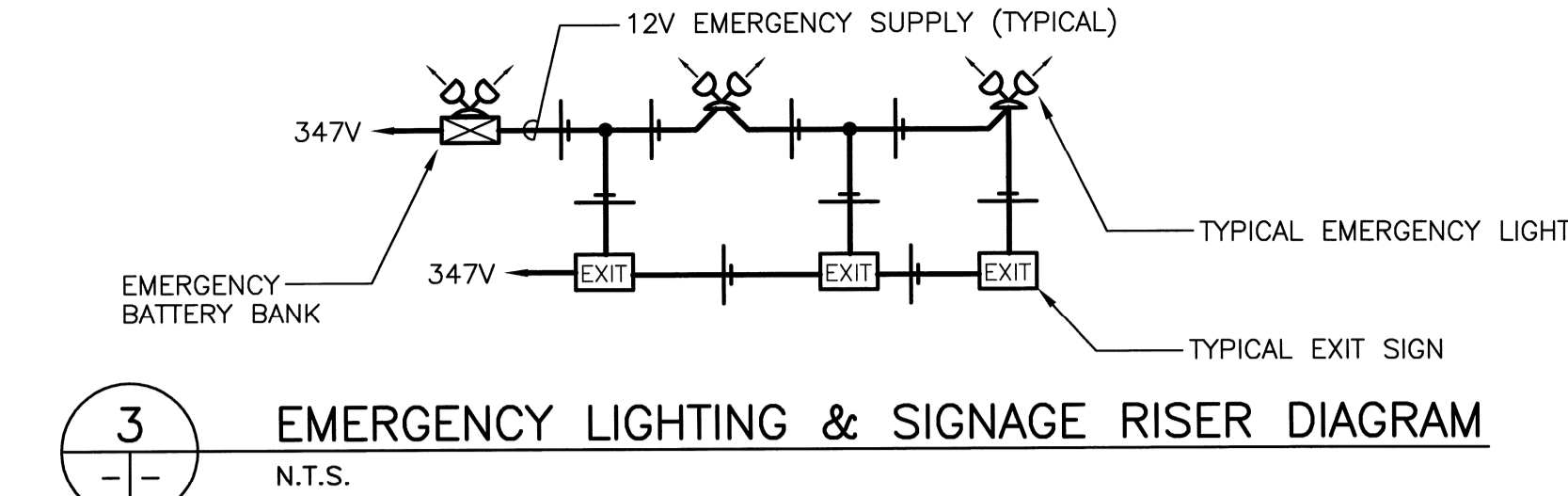
NOTES:

- WIRE AND CONNECT AS REQUIRED. REFER TO MECHANICAL.
- MANUAL STARTER BY DIVISION 26.
- WIRE PUMP CONTROLLER TO ALARM BELL, AND TWO SOLENOID VALVES. PROVIDE 24V POWER SUPPLY AND INTERFACE RELAY FOR SOLENOID VALVES.
- ELECTRICAL SUBCONTRACTOR TO PROVIDE CIRCUIT BREAKERS AND WIRING ACCORDING TO THE FINAL NAMEPLATE DATA OF ALL MECHANICAL EQUIPMENT.

LUMINAIRE SCHEDULE						
TYPE	DESCRIPTION	MANUFACTURER	MODEL No.	LAMPS	VOLTAGE	REMARKS
A	EXTERIOR WALL MOUNTED	LITHONIA	TWAC-100M-347-CSA	1-100W MH	347	WALL MOUNTED ABOVE DOORS
B	LOW BAY METAL HALIDE FIXTURE	LITHONIA	TX-400MP-A23-347-CSA	1-400W MH	347	3/4" PENDANT CONDUIT MOUNTED AT 6.4m
C	ENCLOSED AND GASKETED INDUSTRIAL FLUORESCENT	LITHONIA	DM-2-32WT8-347-CSA	2-32W T8	347	C/W WALL MOUNTING BRACKET AT 3m
D	ENCLOSED AND GASKETED INDUSTRIAL FLUORESCENT	LITHONIA	DM-3-32WT8-347-CSA	3-32W T8	347	CHAIN SUSPENDED FIXTURES AT 6.4m
E	CLASS 1, ZONE 2 HAZARDOUS AREA FLUORESCENT	HUBBELL	DBF32302-AAK-DBF-DL	2-32W T8	120	C/W CEILING MOUNT BRACKET & DOOR/LENDS

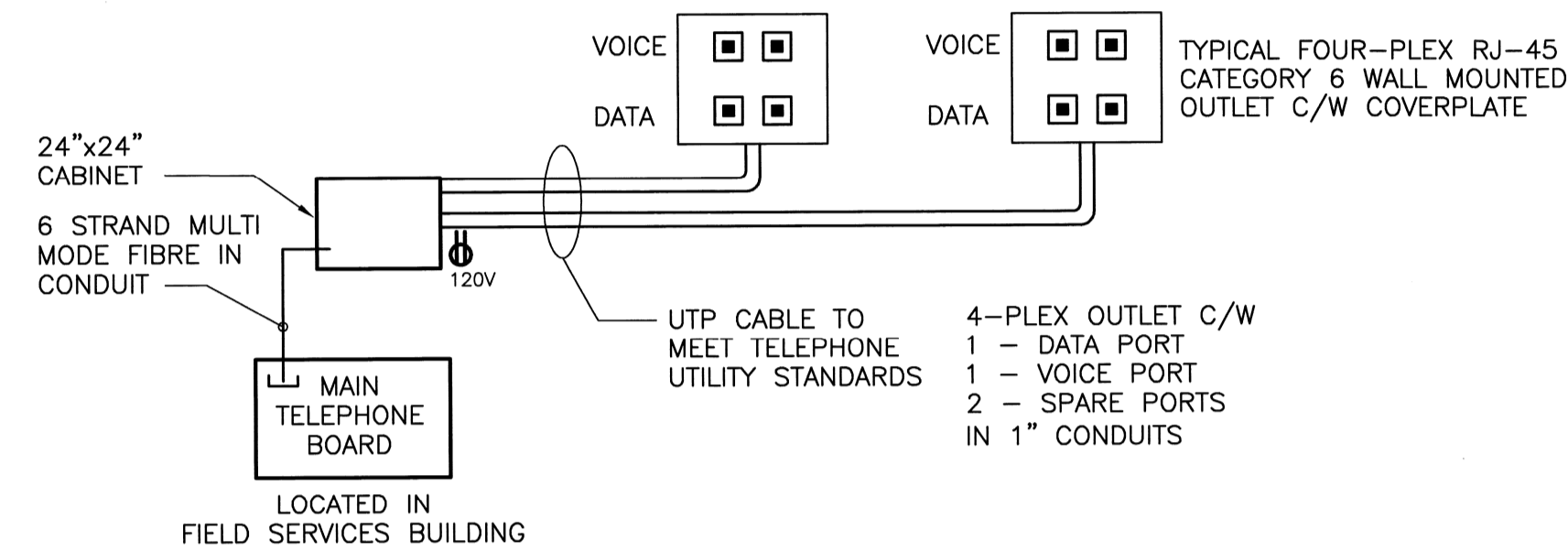
NOTES:

- COORDINATE EXACT LOCATION OF ALL LUMINAIRES WITH ARCHITECTURAL DRAWINGS.
- ALL FLUORESCENT BALLASTS TO BE ELECTRONIC.
- ALL FLUORESCENT LAMPS TO BE COOL WHITE 4100K.



NOTES:

- CONDUCTORS SIZED TO MANUFACTURERS RECOMMENDATIONS. MAXIMUM 5% VOLTAGE DROP.
- MINIMUM CAPACITY IS 30 MINUTES.
- INTERLOCK 347V BATTERY FEED WITH GENERAL LIGHTING IN EACH AREA TO ACTIVATE EMERGENCY LIGHTING UPON LOSS OF GENERAL LIGHTING. PROVIDE RELAYS AS REQUIRED.



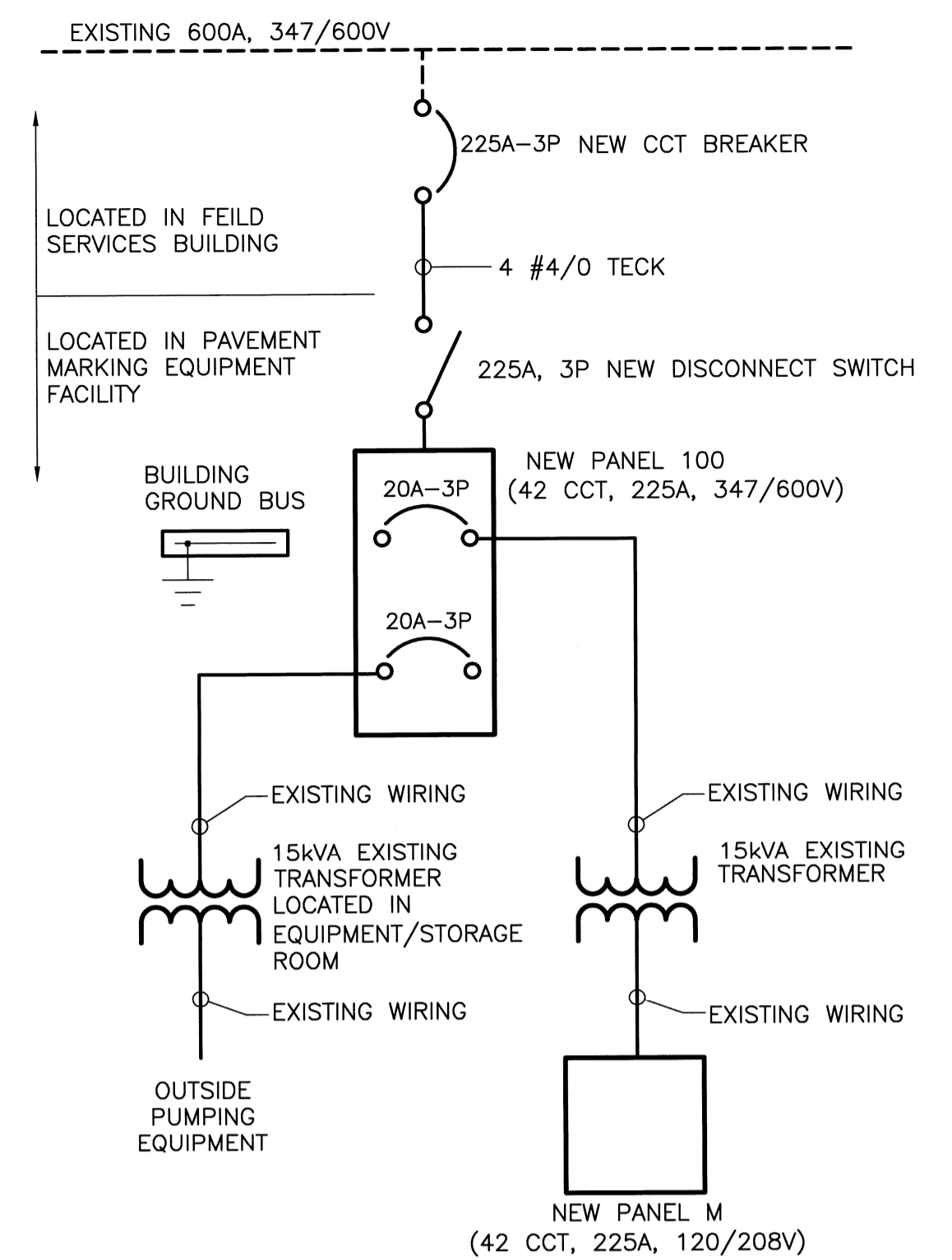
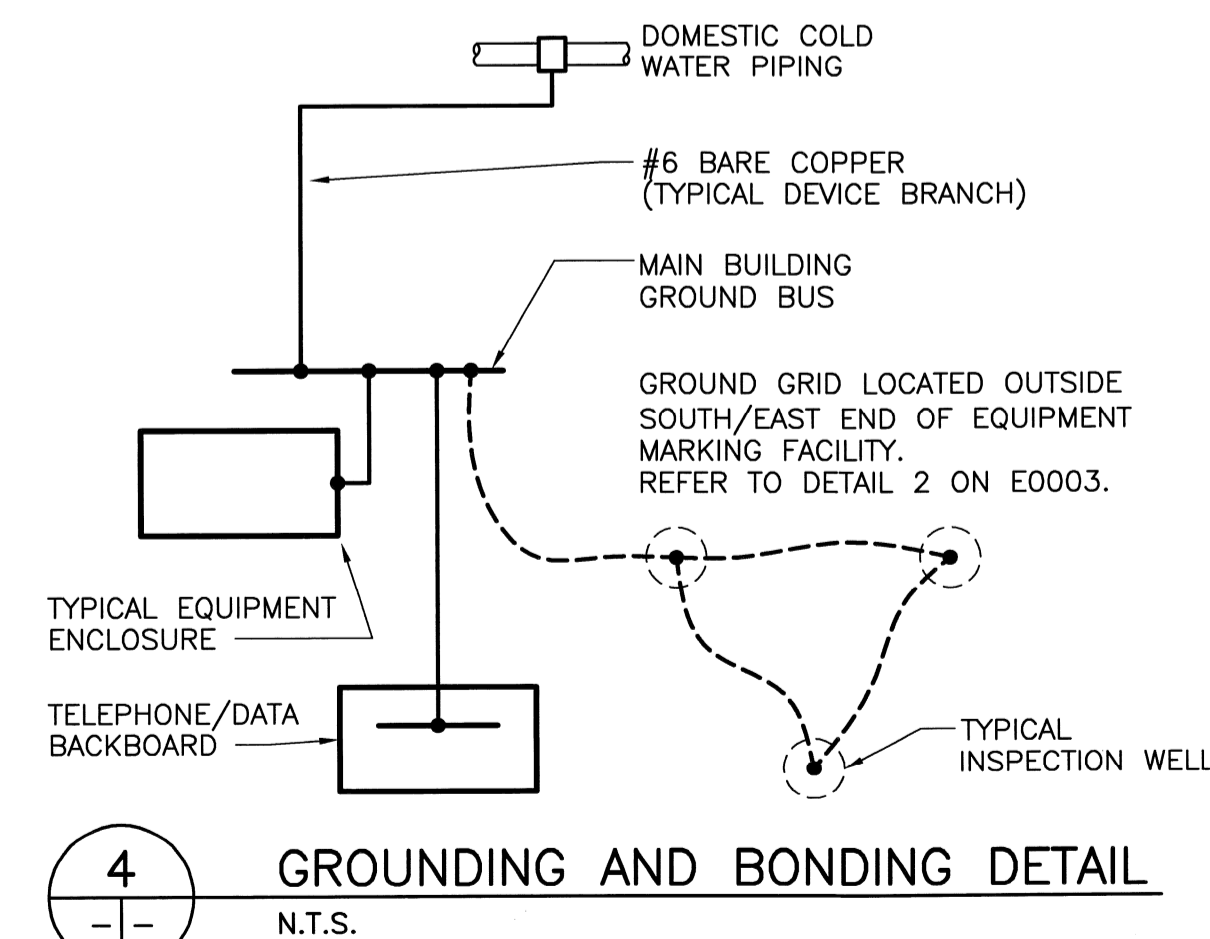
NOTES:

- ALL COMMUNICATION LINES ARE TO BE TESTED BY A CERTIFIED INSTALLER FOR CATEGORY 6. PERFORMANCE UPON COMPLETION OF INSTALLATION. A TESTING REPORT IS TO BE PROVIDED.
- ALL VOICE/DATA OUTLETS ARE TO BE QUAD-TYPE WITH ALL 4-PORTS WIRED TO VOICE/DATA RACK.

HEATER SCHEDULE						
TYPE	WATTS	VOLTAGE/φ	DESCRIPTION	MANUFACTURER	CATALOGUE NO.	NOTES
BB-1	1000	208/1φ	BASEBOARD	SEE MECHANICAL	SEE MECHANICAL	1, 2
BB-2	750	208/1φ	BASEBOARD	SEE MECHANICAL	SEE MECHANICAL	1, 2

NOTES:

- WIRE AND CONNECT AS REQUIRED.
- REFER TO MECHANICAL C/W BUILT-IN THERMOSTAT OR WIRED TO REMOTE THERMOSTAT AS SHOWN ON DRAWINGS.



NOTES:

- NEW PANEL '100' REPLACES EXISTING PANEL 'AA'. LOCATE NEW PANEL IN THE BEST LOCATION TO MAXIMIZE RE-USE OF EXISTING WIRING. EXISTING WIRING NEEDING EXTENSION TO THE NEW PANEL LOCATION SHALL BE TERMINATED IN A JUNCTION BOX AND EXTENDED.
- NEW PANEL 'M' REPLACES EXISTING PANEL 'AB'. LOCATE NEW PANEL IN THE BEST LOCATION TO MAXIMIZE RE-USE OF EXISTING WIRING. EXISTING WIRING NEEDING EXTENSION TO THE NEW PANEL LOCATION SHALL BE TERMINATED IN A JUNCTION BOX AND EXTENDED.

0	ISSUED FOR TENDER	09.04.17	L.K.
NO.	DESCRIPTION	DATE	ISSUED BY
REVISIONS/ISSUE			
<p>THE CONTENT OF THIS DOCUMENT IS NOT INTENDED FOR THE USE OF, NOR IS IT INTENDED TO BE RELIED UPON BY ANY PERSON, FIRM OR CORPORATION, OTHER THAN THE CLIENT AND WARDROP ENGINEERING INC. WARDROP ENGINEERING DENIES ANY LIABILITY WHATSOEVER TO OTHER PARTIES FOR DAMAGES OR INJURY SUFFERED BY SUCH THIRD PARTY ARISING FROM USE OF THIS DOCUMENT BY THEM, WITHOUT THE EXPRESS WRITTEN AUTHORITY OF WARDROP ENGINEERING AND OUR CLIENT. THIS DOCUMENT IS SUBJECT TO FURTHER RESTRICTIONS IMPOSED BY THE CONTRACT BETWEEN THE CLIENT AND WARDROP ENGINEERING INC. AND THESE PARTIES' PERMISSION MUST BE SOUGHT REGARDING THIS DOCUMENT IN ALL OTHER CIRCUMSTANCES.</p>			
CLIENT			
<p>CITY OF WINNIPEG PUBLIC WORKS TRAFFIC SERVICES</p>			
<p>WARDROP Engineering Inc.</p>			
PROJECT NAME			
<p>RENOVATIONS FOR PAVEMENT MARKING OPERATIONS FACILITY</p>			
DRAWING DESCRIPTION			
<p>SINGLE LINE DIAGRAM SCHEDULES</p>			
DESIGNED BY:	DRAWN BY:	CHECKED BY:	
CPG	T.S.	LK	
APPROVED BY:			
SCALE:	AS NOTED	DATE:	09.02.18
DRAWING NO.	REV.		
0900070300-DWG-E0002	0		

