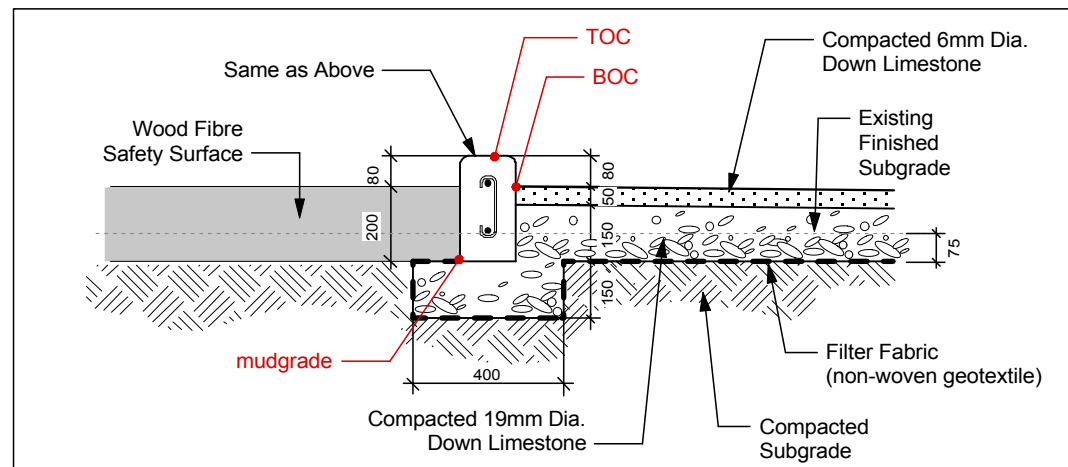


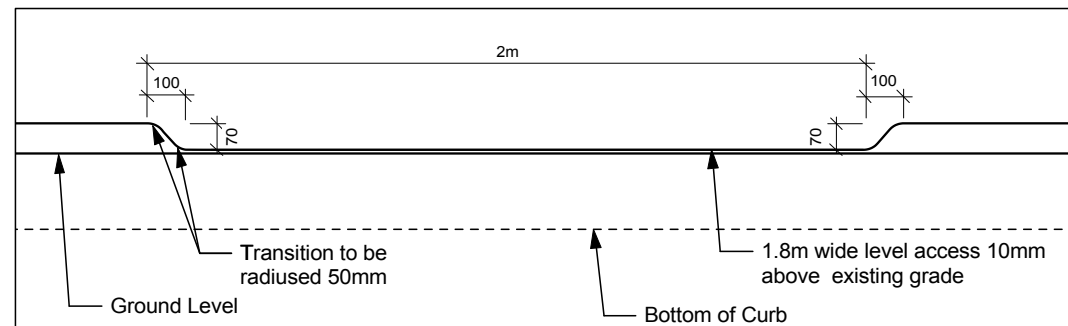
CONCRETE PLAYSURFACE EDGING DETAIL (D1)

Scale: 1:20



CONCRETE PLAYSURFACE EDGING DETAIL (D2)

Scale: 1:20



Curb-Access Point Elevation (D3)

Scale: 1:20



THE CITY OF WINNIPEG
 Planning, Property and Development Department
 Planning and Land Use Division
 Unit 15 - 30 Fort Street, Winnipeg, MB, (R3C 4X5)

DESIGNED BY	SP	CHECKED BY	
DRAWN BY	IL	APPROVED BY	
HORIZ. SCALE	1:250		
VERT. SCALE	1:250		
DATE	APRIL 09		

MANAGER, PARK AND OPEN SPACES	DATE
MANAGER, PLANNING AND LAND USE DIVISION	DATE

CONTRACTOR TO CONFIRM ALL DIMENSIONS AND REPORT ANY DISCREPANCIES TO CONTRACT ADMINISTRATOR PRIOR TO CONSTRUCTION. LOCATION OF UNDERGROUND STRUCTURES AS SHOWN ARE BASED ON THE BEST INFORMATION AVAILABLE BUT NO GUARANTEE IS GIVEN THAT ALL EXISTING UTILITIES ARE SHOWN OR THAT THE GIVEN LOCATIONS ARE EXACT. CONFIRMATION OF EXISTENCE AND EXACT LOCATION OF ALL SERVICES MUST BE OBTAINED FROM THE INDIVIDUAL UTILITIES BEFORE PROCEEDING WITH CONSTRUCTION.

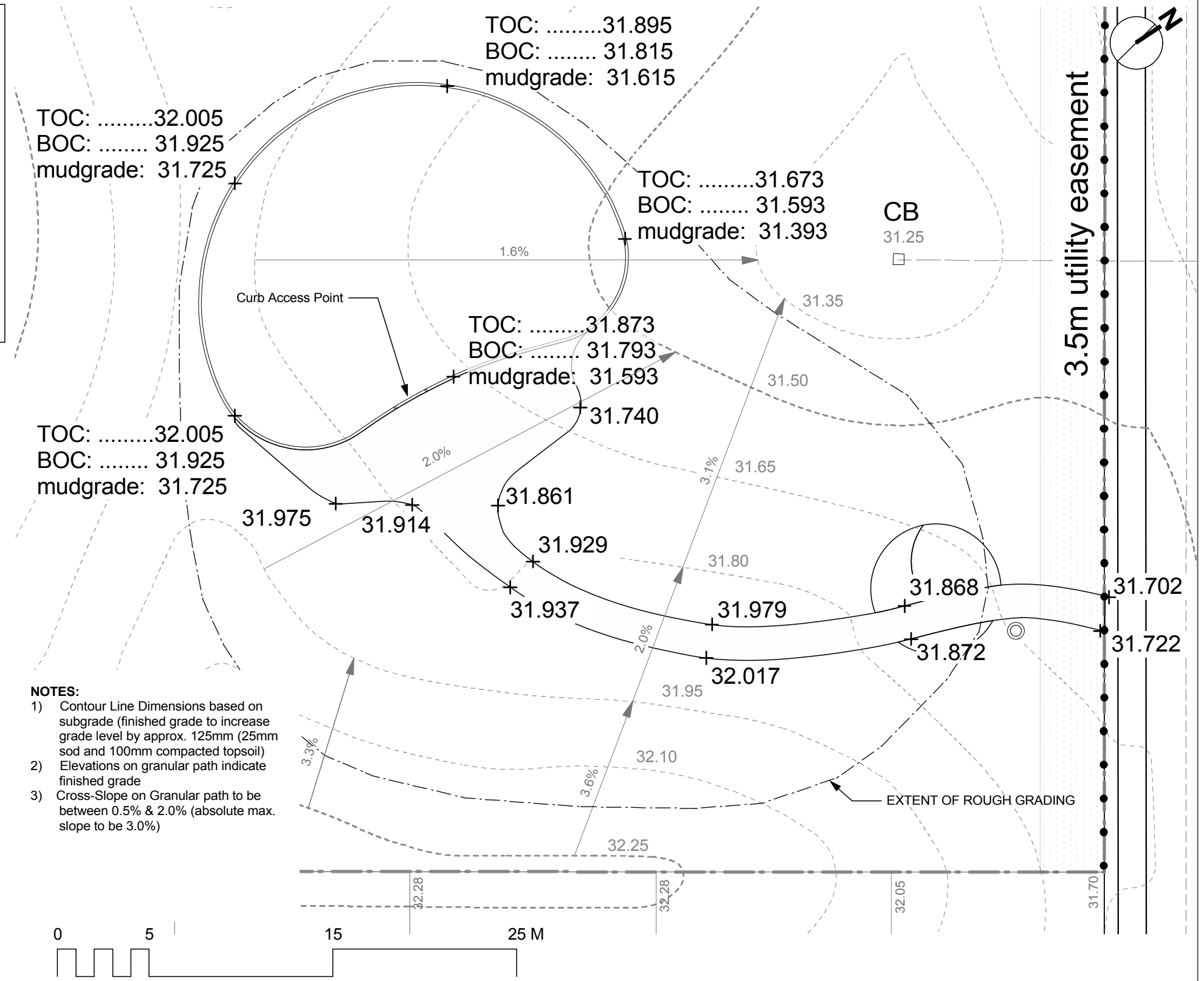
DRAWING TITLE
OLYMPIC PARK
PROPOSED PLAYGROUND DEVELOPMENT
GRADING & CURB ELEVATION PLAN

SITE ADDRESS

DRAWING NO.

O.19-B

BID OPPORTUNITY NO.
294-2009



- NOTES:**
- 1) Contour Line Dimensions based on subgrade (finished grade to increase grade level by approx. 125mm (25mm sod and 100mm compacted topsoil))
 - 2) Elevations on granular path indicate finished grade
 - 3) Cross-Slope on Granular path to be between 0.5% & 2.0% (absolute max. slope to be 3.0%)