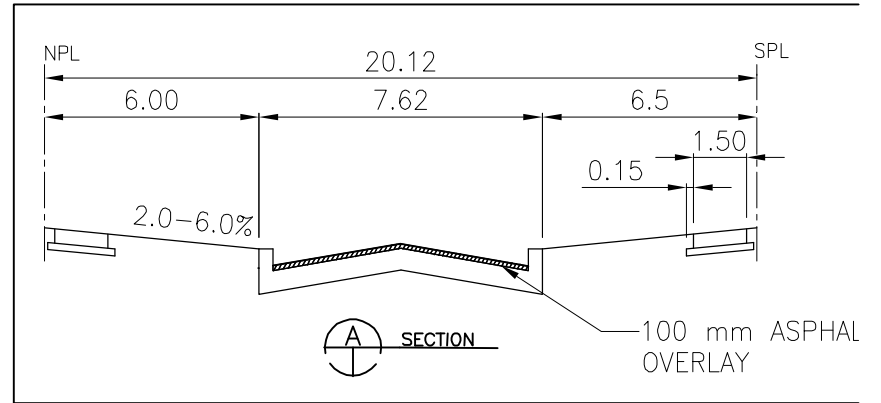


RUE AUBERT from RUE ST. JOSEPH to RUE LANGEVIN

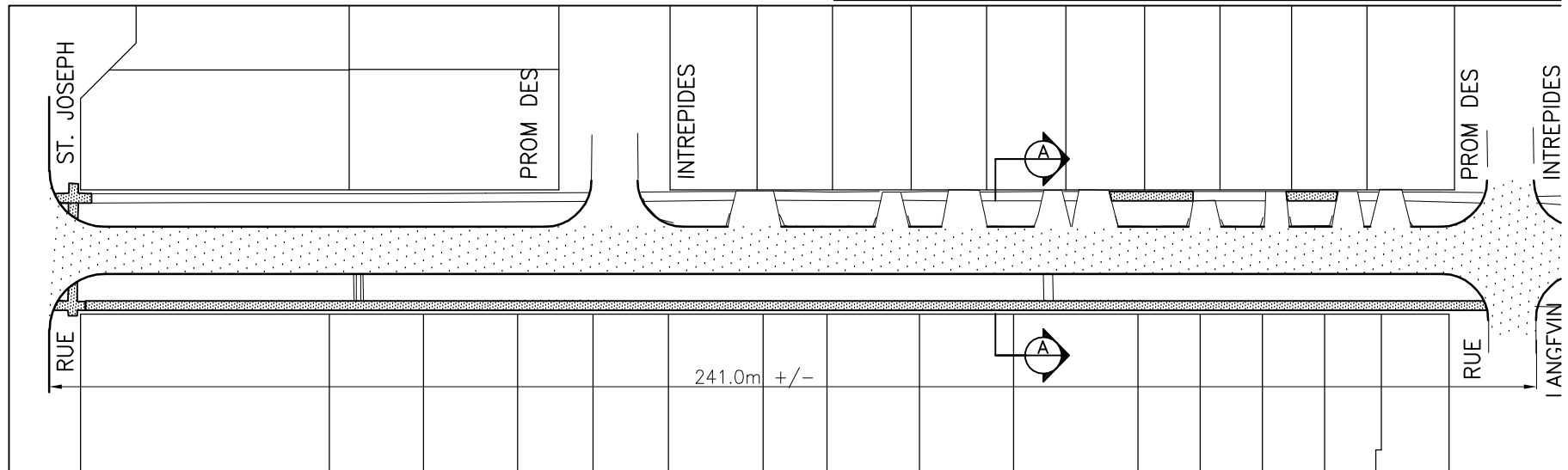
L= 241.0M

W= 7.62M

TYPE OF WORK: MAJOR REHABILITATION



RUE AUBERT



V:\1137\active\113705070\drawing\402_design\sheet_files\05070c-208-XXX.dwg
2009-04-16 08:29AM By: tgall

March, 2009
11370507



Stantec Consulting LTD.
905 Waverley Street
Winnipeg MB Canada
R3T 5P4
Tel. 204-489-5900
Fax. 204-453-9012
www.stantec.com

Notes

- MAJOR REHABILITATION INCLUDES
1. PAVEMENT REPAIRS
 2. ASPHALT OVERLAY
 3. CURB RENEWAL
 4. MINOR SIDEWALK RENEWAL
 5. MINOR UNDERGROUND RENEWAL

Client/Project

THE CITY OF WINNIPEG
PUBLIC WORKS DEPARTMENT

Figure No.

F-1

Title

RUE AUBERT