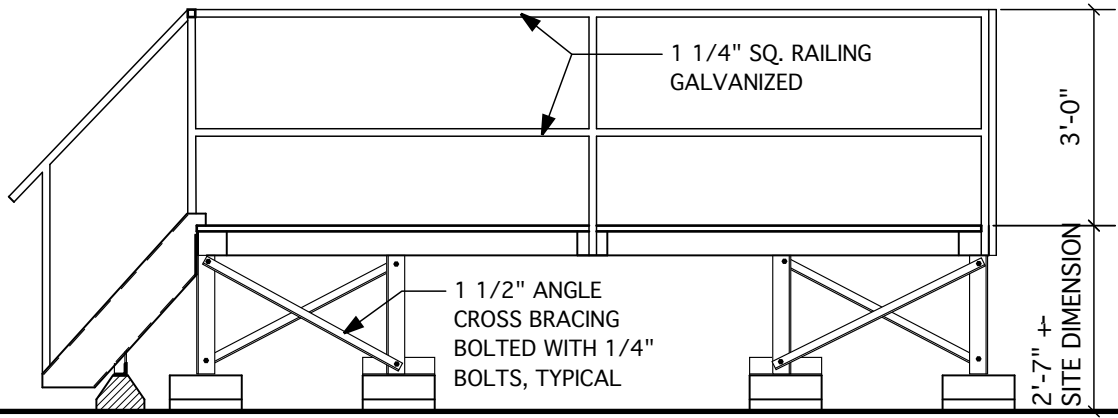
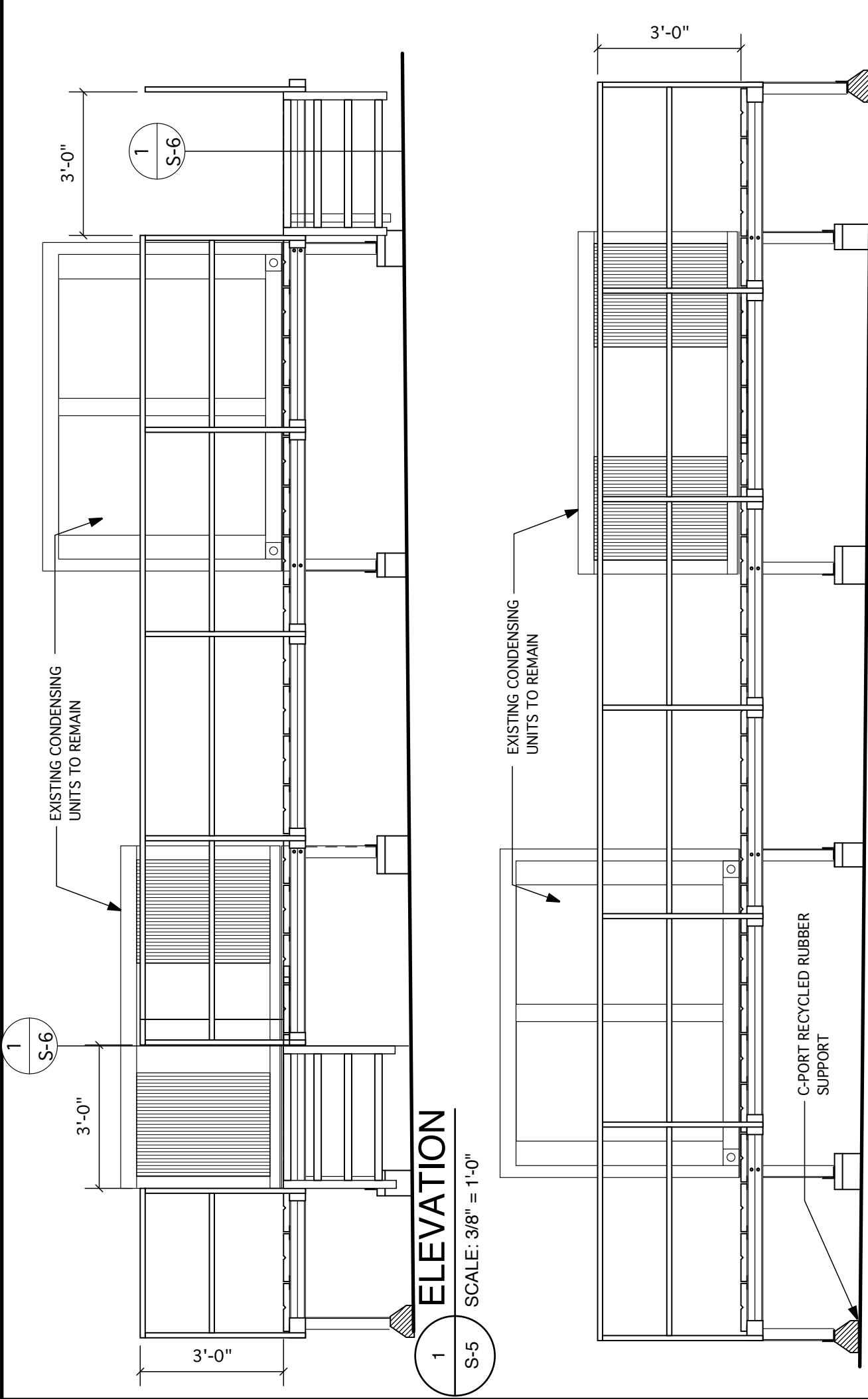
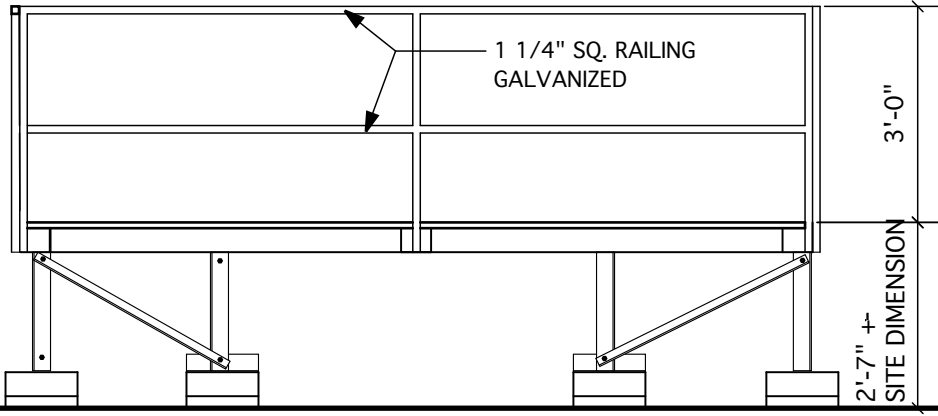


2
ELEVATION
S-5 SCALE: 3/8" = 1'-0"



3
ELEVATION
S-5 SCALE: 3/8" = 1'-0"



1
ELEVATION
S-5 SCALE: 3/8" = 1'-0"

4
ELEVATION
S-5 SCALE: 3/8" = 1'-0"

PANAM POOL
25 Poseiden Bay
Winnipeg, Mb.

GC Engineering Ltd.
675 Elm Street
Winnipeg MB R3M 3N8
ph (204) 793-3948 fax (204) 487-4616
email calgray@mts.net

APEGM
Certificate of Authorization
GC Engineering Ltd.
No. 3208 Expiry: April 30, 2009

PROVINCE OF MANITOBA
C. P. GRAY
REGISTERED PROFESSIONAL ENGINEER

DRAWN BY: M
DATE: March, 2009
DRAWING # S-5