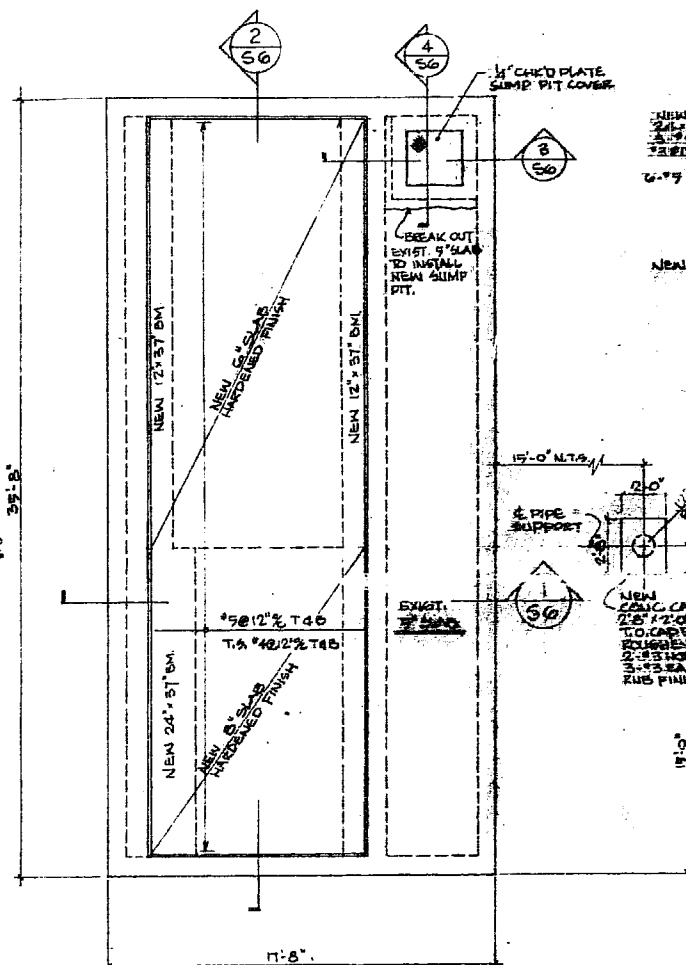
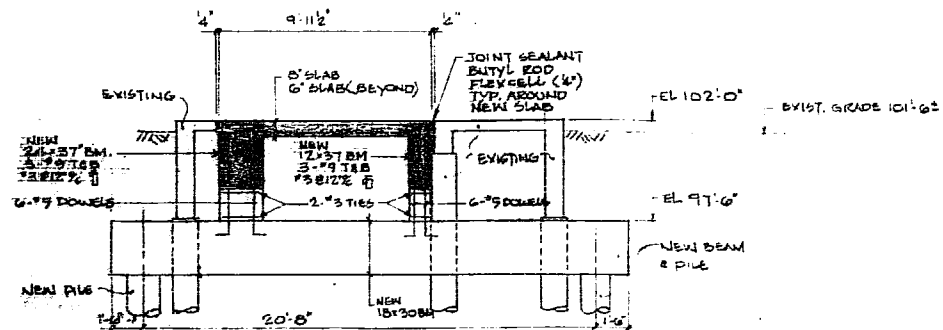


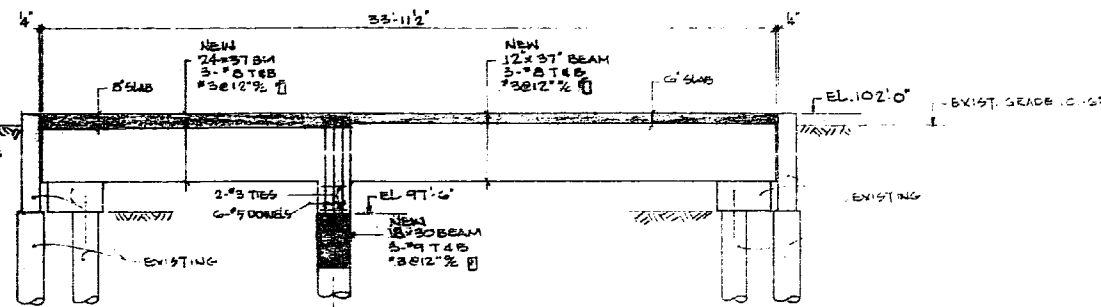
EXISTING FOUNDATION PLAN
8'-11"0"



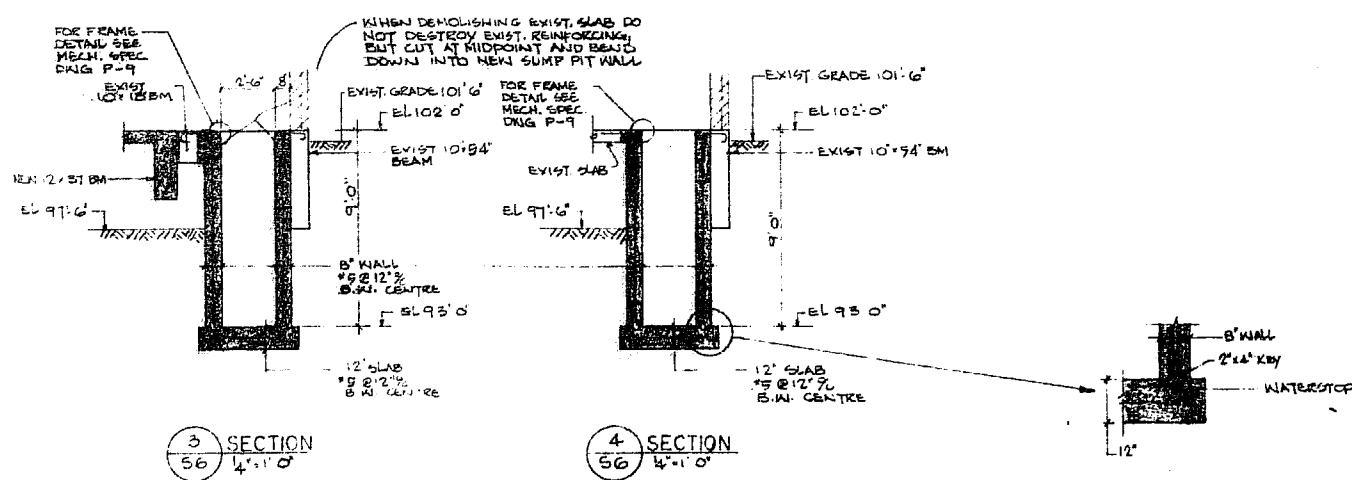
EXISTING FLOOR PLAN
T.O. NEW SLAB EL 102'-0"
4'-11"0"



SECTION 1
56
4'-11"0"



SECTION 2
56
4'-11"0"



SECTION 3
56
4'-11"0"

SECTION 4
56
4'-11"0"

- NOTES
1. ALL WORK ON THIS DNG BY GENERAL CONTRACTOR
 2. FOR GENERAL NOTES SEE 71189-03-S2

NO	DESCRIPTION	DATE	BY
REVISIONS			

CITY OF WINNIPEG
COMMUNITY OF EAST KILDONAN

W.L. WARDROP & ASSOCIATES LTD.
ENGINEERING CONSULTANTS
WINNIPEG THUNDER BAY REGINA

EAST KILDONAN RECREATION CENTRE
ICE PLANT EXIST. SCALE HOUSE
CONCRETE PLANS & SECTIONS

DESIGNED BY: *BJG* DRAWN BY: *DM* CHECKED BY: *DM*
APPROVED BY: *[Signature]*
SCALE: 1/4" = 1'-0"
DRAWING NO: 71189-03-S6