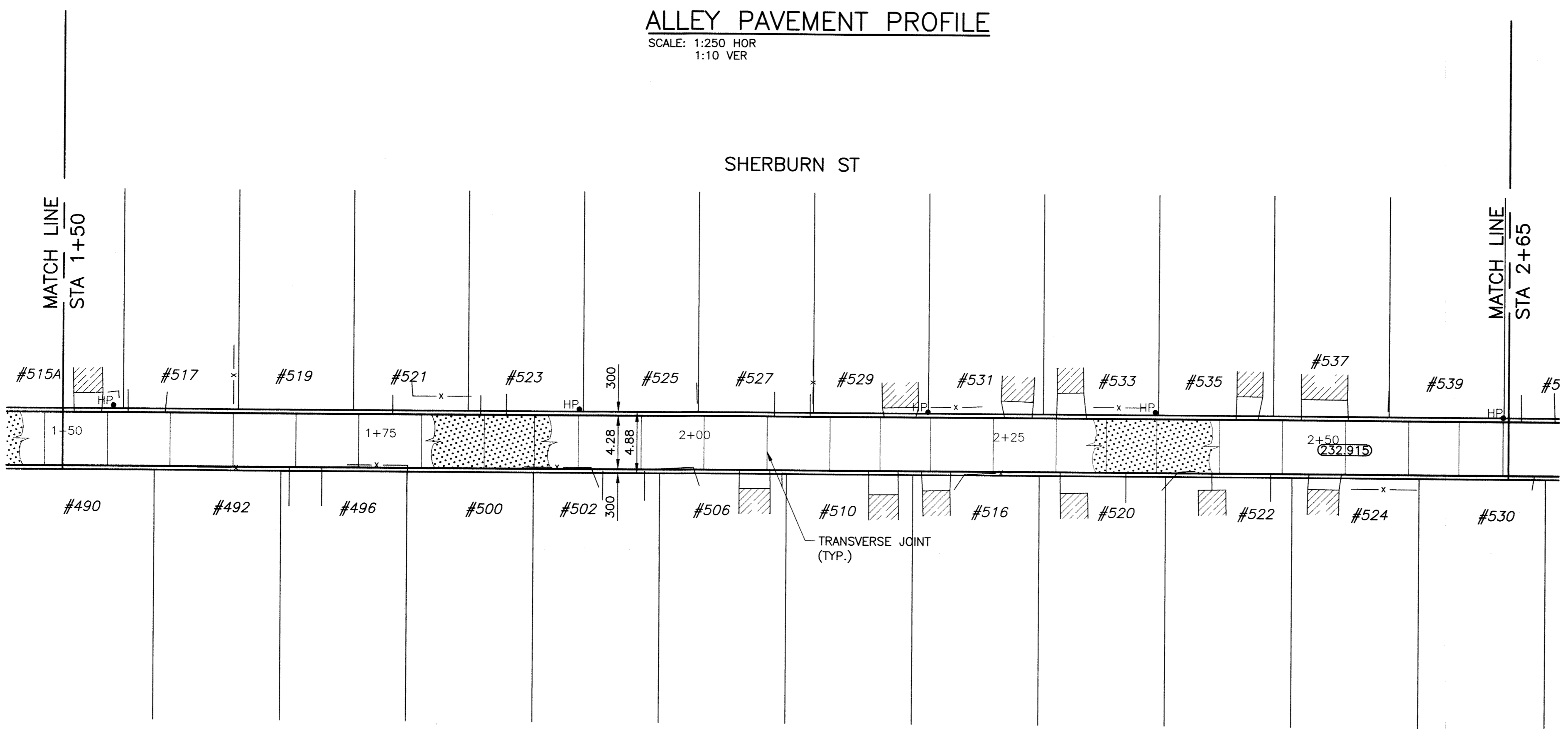
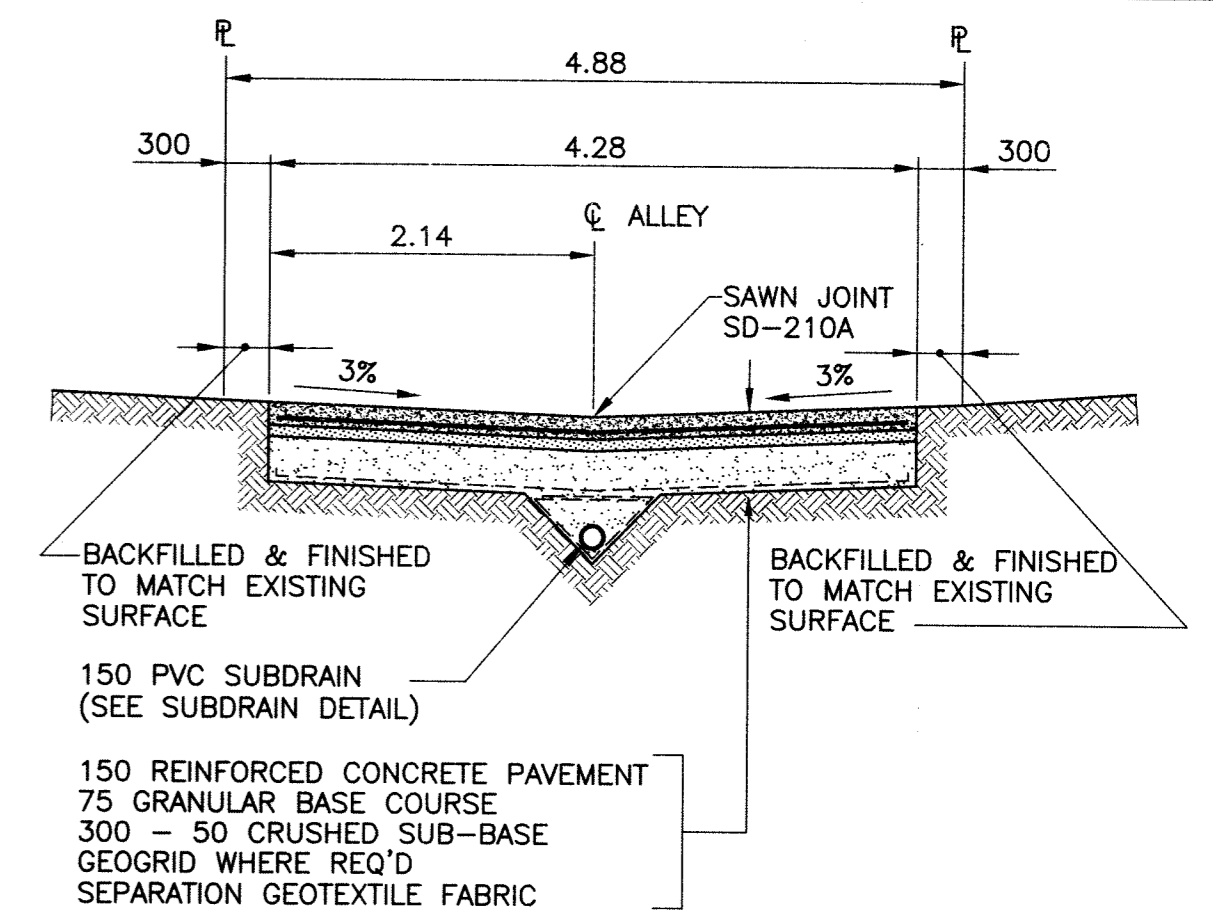


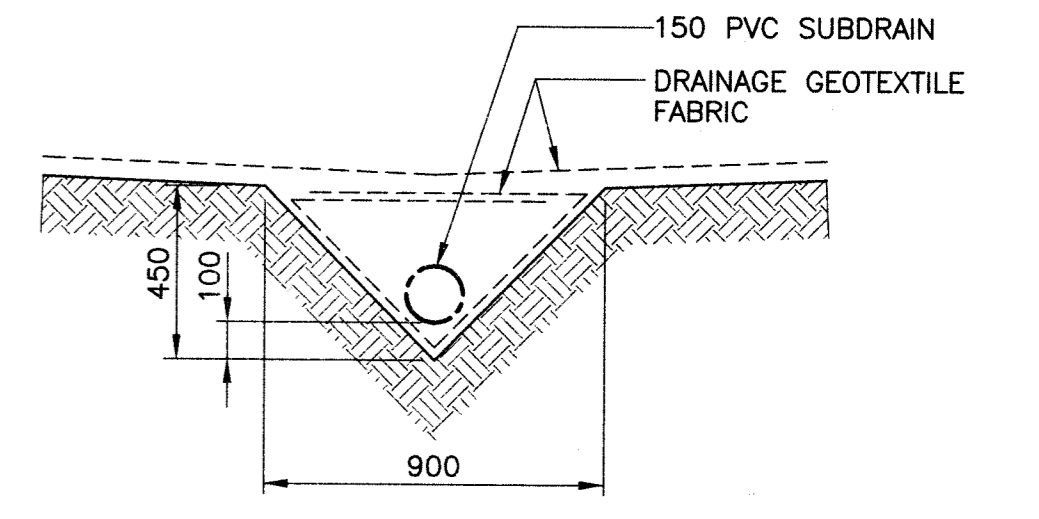
ALLEY PAVEMENT PROFILE
SCALE: 1:250 HOR
1:10 VER



ALLEY PAVEMENT PLAN
SCALE: 1:250 HOR



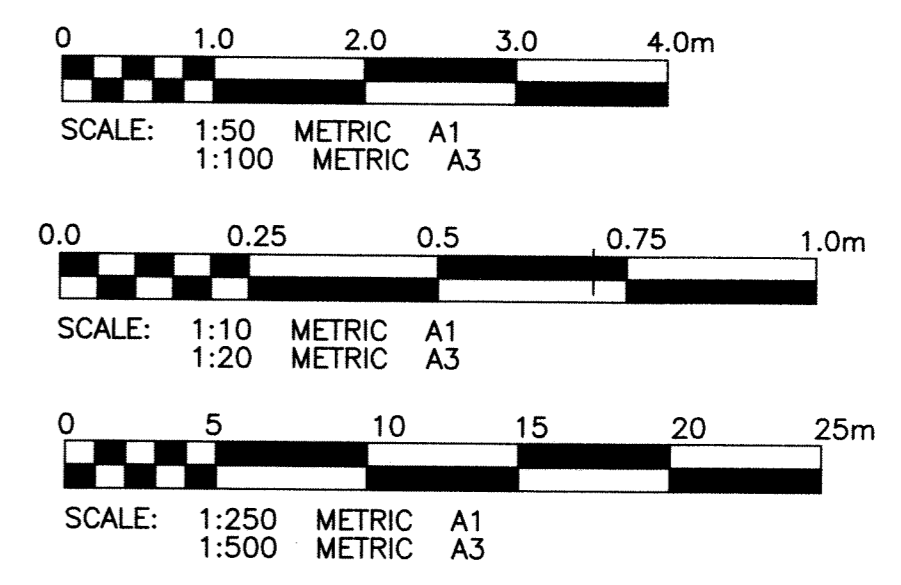
TYPICAL CROSS SECTION
SCALE: 1:50



SUBDRAIN DETAIL
SCALE: 1:20

- NOTE:**
1. STATION CHAINAGE IS BASED ON CENTERLINE OF ALLEY RIGHT OF WAY.
 2. ADJUST MH AND CB RIMS TO NEW GRADES.
 3. PLUG SUBDRAINS AT TERMINAL ENDS.
 4. REGRADE EXISTING PRIVATE SIDEWALKS AS REQUIRED.
 5. INSTALLATION OF LIP CURBS AND THEIR EXTENTS TO BE DETERMINED BY THE CONTRACT ADMINISTRATOR.
 6. LIGHT STANDARDS, HYDRO POLES AND ANCHORS MAY REQUIRE TEMPORARY SUPPORT/REMOVAL OR REPLACEMENT AT THE CONTRACTOR'S EXPENSE.
 7. ISOLATE ALL POLES, BASES AND PILES WITHIN ALLEY RIGHT OF WAY (SD-228C)
 8. AVOID DAMAGE TO EXISTING TREES WITHIN THE LIMITS OF CONSTRUCTION.

PROPERTY LIMITS DELINEATION
DELINEATION OF PROPERTY LIMITS AS SHOWN ON THIS DWG DOES NOT REPRESENT A "LEGAL SURVEY". KGS GROUP MAKES NO REPRESENTATION OR WARRANTY AS TO THE ACCURACY OF PROPERTY LIMITS DELINEATED ON THIS DWG, NOR ON THE DIMENSIONAL ACCURACY OF DWG FEATURES RELATIVE TO THOSE PROPERTY LIMITS.



WARNING

1. NOTIFY THE GAS COMPANY OF THE PROPOSED LOCATION OF EXCAVATION.
2. TAKE PRECAUTION TO AVOID DAMAGE TO GAS COMPANY INSTALLATIONS.
3. SEE PROVINCIAL REGULATION 210/72 FOR DETAILS.

METRIC
WHOLE NUMBERS INDICATE MILLIMETRES
DECIMALIZED NUMBERS INDICATE METRES

APEGM
Certificate of Authorization
KGS Group
No. 245 Date: 05/05/09

EXISTING	LEGEND-PLAN	PROPOSED	EXISTING	LEGEND-PLAN	PROPOSED	EXISTING	LEGEND-PROFILE	PROPOSED
300_LDS	LAND DRAINAGE SEWER	300_LDS	CONCRETE JOINT	CONCRETE JOINT	CONCRETE JOINT	CONCRETE JOINT	CONCRETE JOINT	CONCRETE JOINT
250_WWS	WASTE WATER SEWER	250_WWS	TEST HOLE	TEST HOLE	TEST HOLE	TEST HOLE	TEST HOLE	TEST HOLE
	GAS		GUY WIRE	GUY WIRE	GUY WIRE	GUY WIRE	GUY WIRE	GUY WIRE
	HYDRO		LIGHT STANDARD	LIGHT STANDARD	LIGHT STANDARD	LIGHT STANDARD	LIGHT STANDARD	LIGHT STANDARD
	M.T.S.		BACK OF CURB	BACK OF CURB	BACK OF CURB	BACK OF CURB	BACK OF CURB	BACK OF CURB
150_WM	WATERMAIN	150_WM	CONCRETE	CONCRETE	CONCRETE	CONCRETE	CONCRETE	CONCRETE
	HYDRANT		ASPHALT	ASPHALT	ASPHALT	ASPHALT	ASPHALT	ASPHALT
	VALVE		SIDEWALK	SIDEWALK	SIDEWALK	SIDEWALK	SIDEWALK	SIDEWALK
	MANHOLE		PROPERTY LINE	PROPERTY LINE	PROPERTY LINE	PROPERTY LINE	PROPERTY LINE	PROPERTY LINE
	CATCH BASIN		SURVEY BAR	SURVEY BAR	SURVEY BAR	SURVEY BAR	SURVEY BAR	SURVEY BAR
	CURB INLET		GEODETIC BENCHMARK	GEODETIC BENCHMARK	GEODETIC BENCHMARK	GEODETIC BENCHMARK	GEODETIC BENCHMARK	GEODETIC BENCHMARK
	POLES		ELEVATION	ELEVATION	ELEVATION	ELEVATION	ELEVATION	ELEVATION

LOCATION APPROVED UNDERGROUND STRUCTURES
SUPV. U/G STRUCTURES COMMITTEE DATE
NOTE: LOCATION OF UNDERGROUND STRUCTURES AS SHOWN ARE BASED ON THE BEST INFORMATION AVAILABLE BUT NO GUARANTEE IS GIVEN THAT ALL EXISTING UTILITIES ARE SHOWN OR THAT THE GIVEN LOCATIONS ARE EXACT. CONFIRMATION OF EXISTENCE AND EXACT LOCATION OF ALL SERVICES MUST BE OBTAINED FROM THE INDIVIDUAL UTILITIES BEFORE PROCEEDING WITH CONSTRUCTION.

B.M. ELEV.	37-010	233.427
NO.	REVISIONS	DATE BY
0	ISSUED FOR TENDER	06/05/09

KGS GROUP CONSULTING ENGINEERS & PROJECT MANAGERS
WINNIPEG (204) 896-1209
THUNDER BAY (807) 345-2233

DESIGNED BY: JDF
DRAWN BY: GEL
CHECKED BY: RJH
APPROVED BY: [Signature]
HOR. SCALE: 1:250
VERTICAL: 1:50
RELEASED FOR CONSTRUCTION: [Signature]
DATE: 17/11/08

ENGINEER'S SEAL
PROVINCE OF MANITOBA
R.J. HOUSTON
Member
4385
REGISTERED PROFESSIONAL ENGINEER
CONSULTANT DRAWING NO.
09-0107-03

THE CITY OF WINNIPEG
PUBLIC WORKS DEPARTMENT
TRANSPORTATION ENGINEERING DIVISION

PROJECT TITLE: **2009 ALLEY RENEWAL PROGRAM**
SHERBURN ST./INGERSOLL ST. ALLEY
PORTAGE AVE. TO ST. MATTHEWS AVE.
STA. 1+50.0 TO STA. 2+65.0

SHEET OF: **09 15**
COMPUTER FILE NAME: **SHERBURN_INGERSOLL-PL0T**
CITY DRAWING NUMBER: **0009**

P:\Projects\2009\09-0107-03\Draws\Drawings\Source\Drawings\09-0107-03_0008-0013-Rev.0.dwg - Tab: 09 Plotted By: Dderoché 05/05/2009 [Tue 2:39pm]