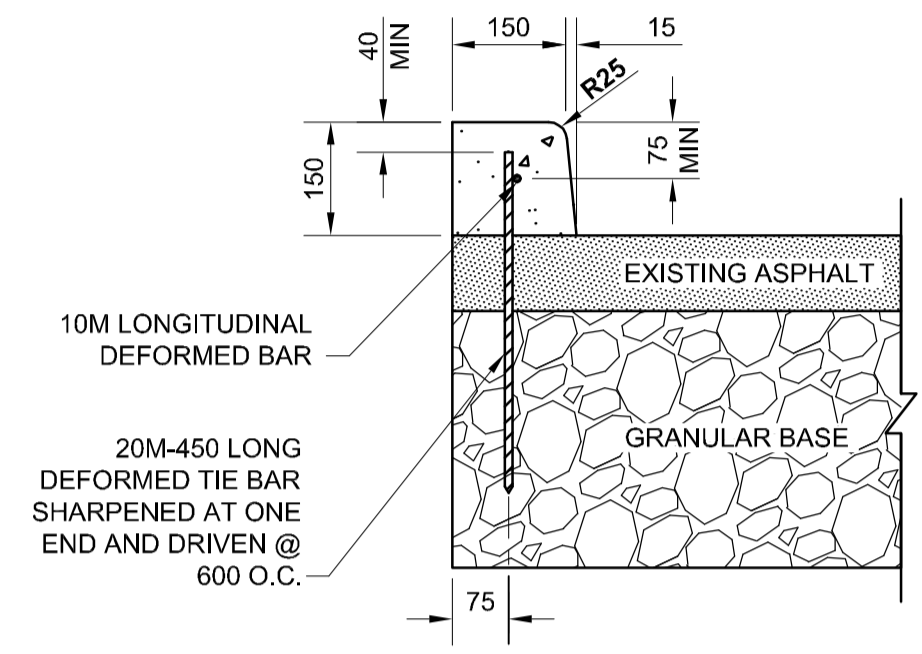


A1 SIZE 23.89" x 33.11" (606mm x 841mm)
 PLOT: 08/07/14 9:16:34 AM
 AECOM FILE NAME: 0285-41-00_02-CTF001_BX.dwg
 Saved By: ccooper
 © 2008 AECOM Canada Ltd. All Rights Reserved. This document is prepared by AECOM for the City of Winnipeg. It is not to be used for any other project without the written consent of AECOM.

LEGEND

- STAGE 1 WORKS
- TEMPORARY ASPHALT
- TRAFFIC FLOW



DETAIL A

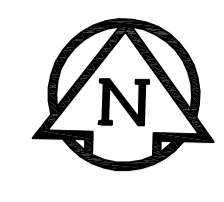
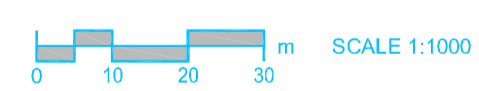
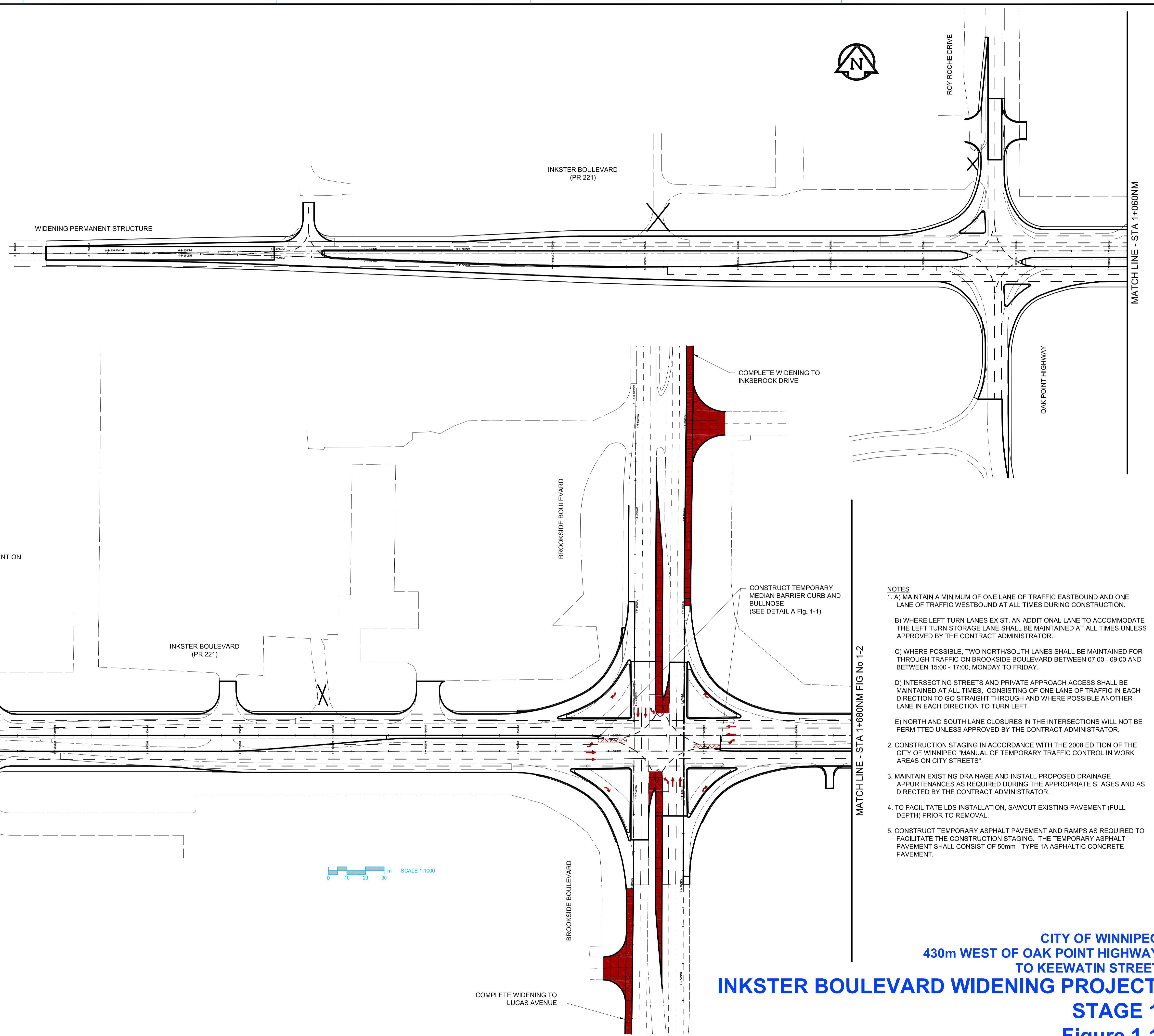
0 0.1 0.2 0.3 m SCALE 1:10

DOWELED BARRIER CURB

APPLICABLE TO INKSTER BLVD DETOUR AT BROOKSIDE BLVD INTERSECTION

MAJOR ITEMS OF WORK

- CONSTRUCTION OF TEMPORARY PAVEMENTS
- CONSTRUCTION OF NEW PAVEMENT ON BROOKSIDE BLVD



- NOTES**
1. A) MAINTAIN A MINIMUM OF ONE LANE OF TRAFFIC EASTBOUND AND ONE LANE OF TRAFFIC WESTBOUND AT ALL TIMES DURING CONSTRUCTION.
 - B) WHERE LEFT TURN LANES EXIST, AN ADDITIONAL LANE TO ACCOMMODATE THE LEFT TURN STORAGE LANE SHALL BE MAINTAINED AT ALL TIMES UNLESS APPROVED BY THE CONTRACT ADMINISTRATOR.
 - C) WHERE POSSIBLE, TWO NORTH/SOUTH LANES SHALL BE MAINTAINED FOR THROUGH TRAFFIC ON BROOKSIDE BOULEVARD BETWEEN 07:00 - 09:00 AND BETWEEN 15:00 - 17:00, MONDAY TO FRIDAY.
 - D) INTERSECTING STREETS AND PRIVATE APPROACH ACCESS SHALL BE MAINTAINED AT ALL TIMES, CONSISTING OF ONE LANE OF TRAFFIC IN EACH DIRECTION TO GO STRAIGHT THROUGH AND WHERE POSSIBLE ANOTHER LANE IN EACH DIRECTION TO TURN LEFT.
 - E) NORTH AND SOUTH LANE CLOSURES IN THE INTERSECTIONS WILL NOT BE PERMITTED UNLESS APPROVED BY THE CONTRACT ADMINISTRATOR.
 2. CONSTRUCTION STAGING IN ACCORDANCE WITH THE 2008 EDITION OF THE CITY OF WINNIPEG "MANUAL OF TEMPORARY TRAFFIC CONTROL IN WORK AREAS ON CITY STREETS".
 3. MAINTAIN EXISTING DRAINAGE AND INSTALL PROPOSED DRAINAGE APPURTENANCES AS REQUIRED DURING THE APPROPRIATE STAGES AND AS DIRECTED BY THE CONTRACT ADMINISTRATOR.
 4. TO FACILITATE LDS INSTALLATION, SAWCUT EXISTING PAVEMENT (FULL DEPTH) PRIOR TO REMOVAL.
 5. CONSTRUCT TEMPORARY ASPHALT PAVEMENT AND RAMPS AS REQUIRED TO FACILITATE THE CONSTRUCTION STAGING. THE TEMPORARY ASPHALT PAVEMENT SHALL CONSIST OF 50mm - TYPE 1A ASPHALTIC CONCRETE PAVEMENT.