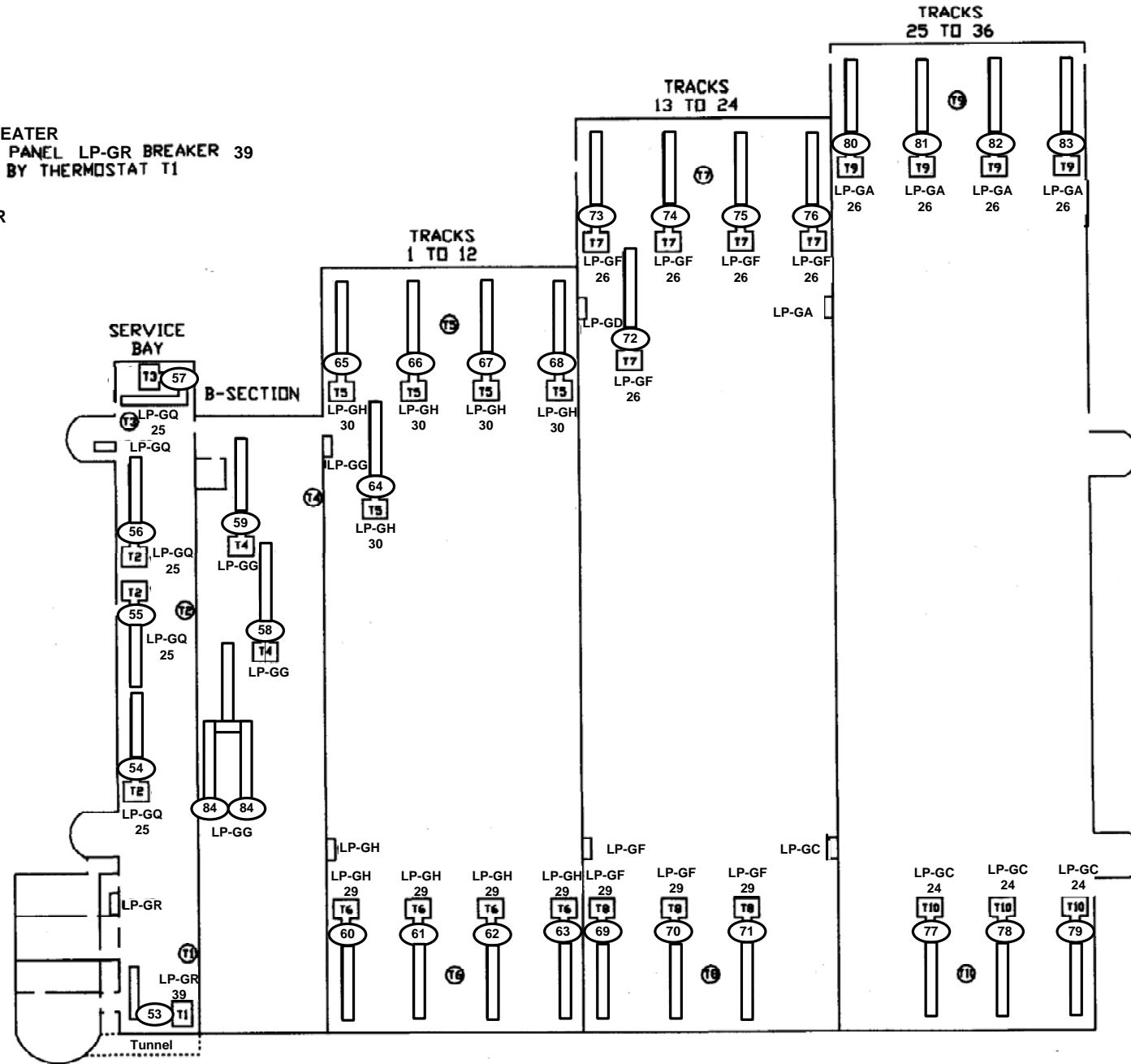


**LEGEND**

**T1** THERMOSTAT

**53** **T1** INFRA RED HEATER  
POWERED BY PANEL LP-GR BREAKER 39  
CONTROLLED BY THERMOSTAT T1

**53** UNIT NUMBER



<b>WINNIPEG TRANSIT DEPARTMENT</b> 421 Osborne Street Winnipeg MB R3L 2A2 Tel: 986-3821 / 479-5430 avecherya@winnipeg.ca		
PROJECT <b>INSPECTION AND REPAIR OF HVAC EQUIPMENT AT WINNIPEG TRANSIT DEPARTMENT</b>		
SHEET TITLE <b>LOCATION OF INFRA RED HEATERS AT FORT ROUGE GARAGE STORAGE TRACKS</b>		
DRAWN BY <b>AV</b>	CHECKED BY <b>AV</b>	APPR. BY
eFILE 396-2009 <b>DRAWING A-4-RO</b>	PROJECT No <b>396-2009</b>	
DATE <b>2009. 06.22</b>	SCALE <b>NTS</b>	
SHEET No <b>A-4</b>		