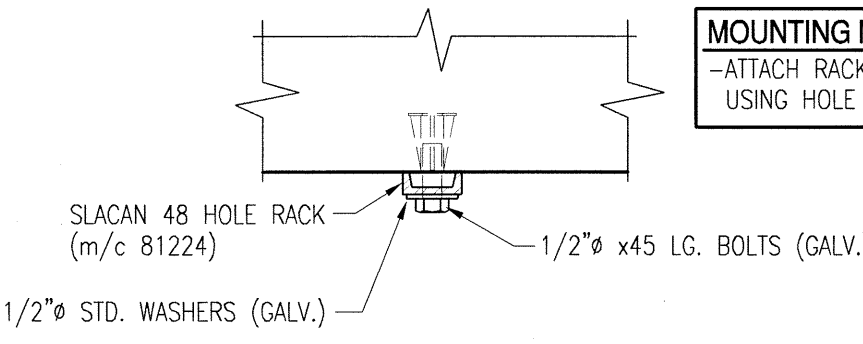


MOUNTING NOTE:
-ATTACH RACK AT TOP BOLT USING HOLE #5.



ITEMS REQUIRED	
QTY./UNIT	DESCRIPTION
1	BOTTOM (106-03)
1	TOP (106-04)
-	MANHOLE BARREL (IN REQ'D HEIGHT)
1	ADAPTOR
1	SLAB TOP (259-01)
1	CAST IRON FRAME AND COVER
4	5/8" BOLT c/w STD. WASHER
1	SUMP PLATE 380 x380 x6 CHECKER PLATE, 1 COAT IGP 400
-	GASKET 'RAMNECK' TYPE
4	48 HOLE RACK BY SLACAN (m/c 81224)
24	1/2" x45 LG. BOLTS (GALV.)
24	1/2" STD. WASHERS (GALV.)
8	L152 x102 x13 x165 LG. w/ (2)-7/8" HOLES (L.L.) & (1)-1" HOLE (S.L.) c/w (2)-3/4" x57 LG. BOLTS (GALV.)
4	7/8" x305 LG. ALL-THREAD c/w (2)-STD. HEX NUTS & (2)-STD. WASHERS (GALV.)
96	5" SCH 40 TO DBI REDUCER COUPLER

REV.	DESCRIPTION	BY	CHKD.	DATE
-	-	-	-	-

RELEASED for APPROVAL
DATE: 2004.04.16
CON-FORCE STRUCTURES LIMITED

1.8m x3.8m x2.0m Type 'A' Vault

CON-FORCE Concrete Leadership
Manitoba Hydro
Standard Product
Calgary, Alberta