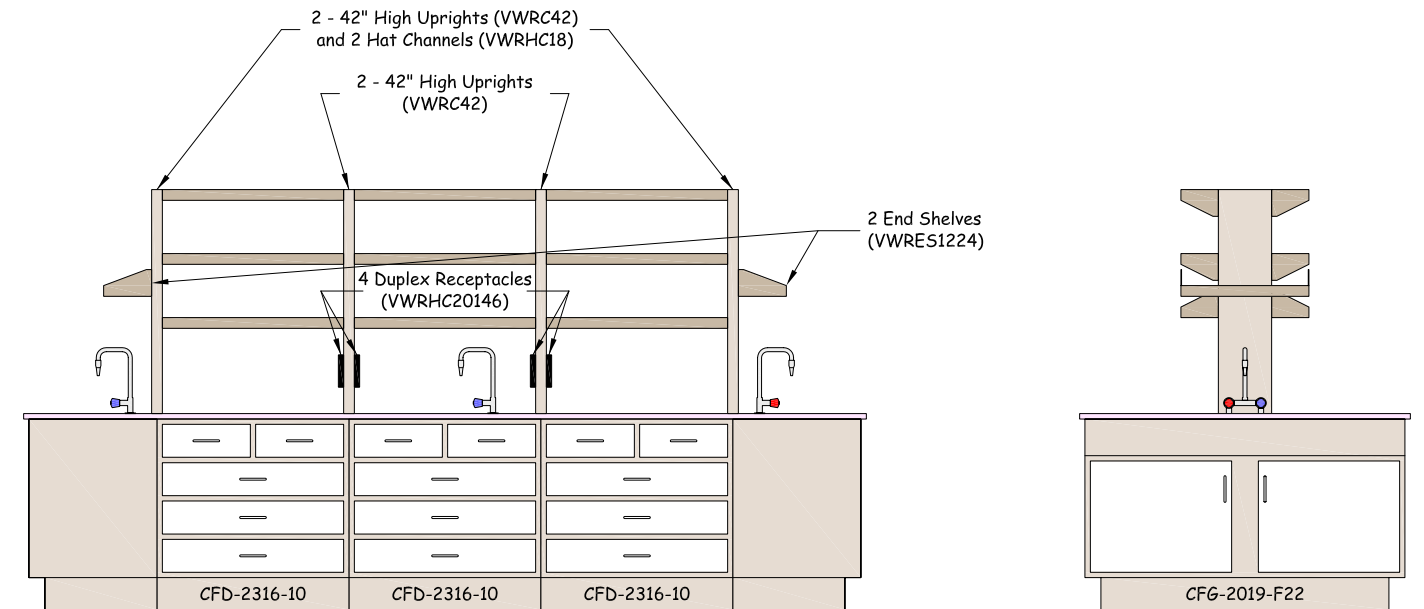
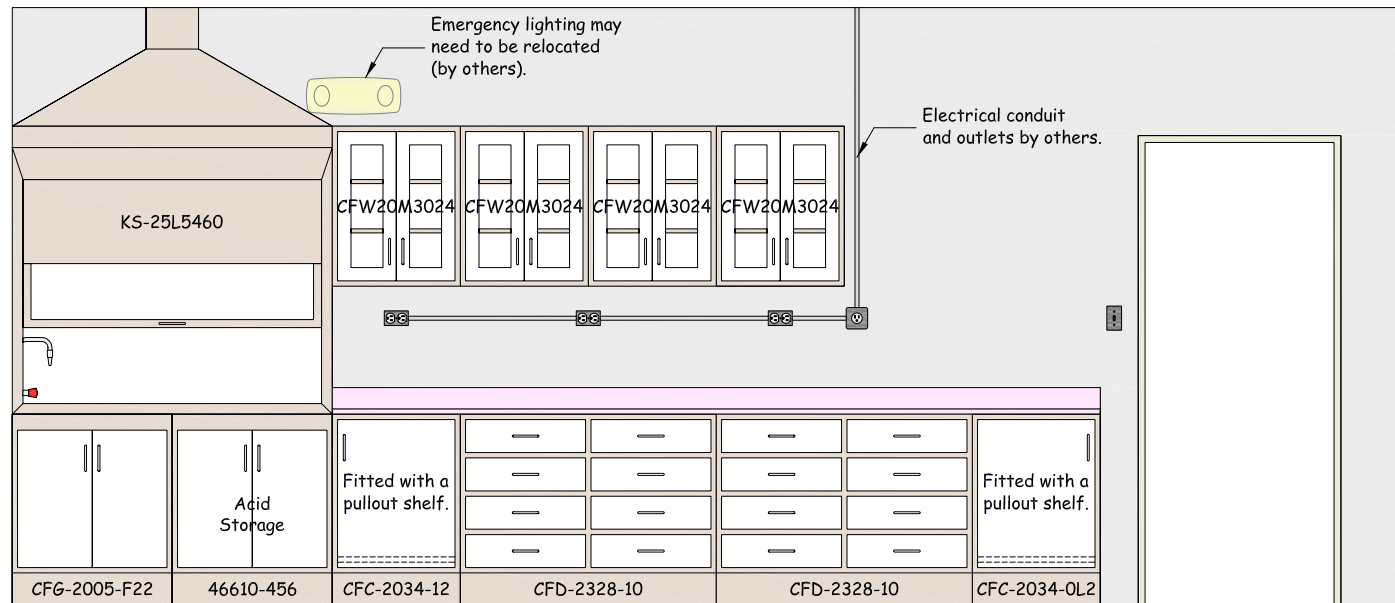


North Wall

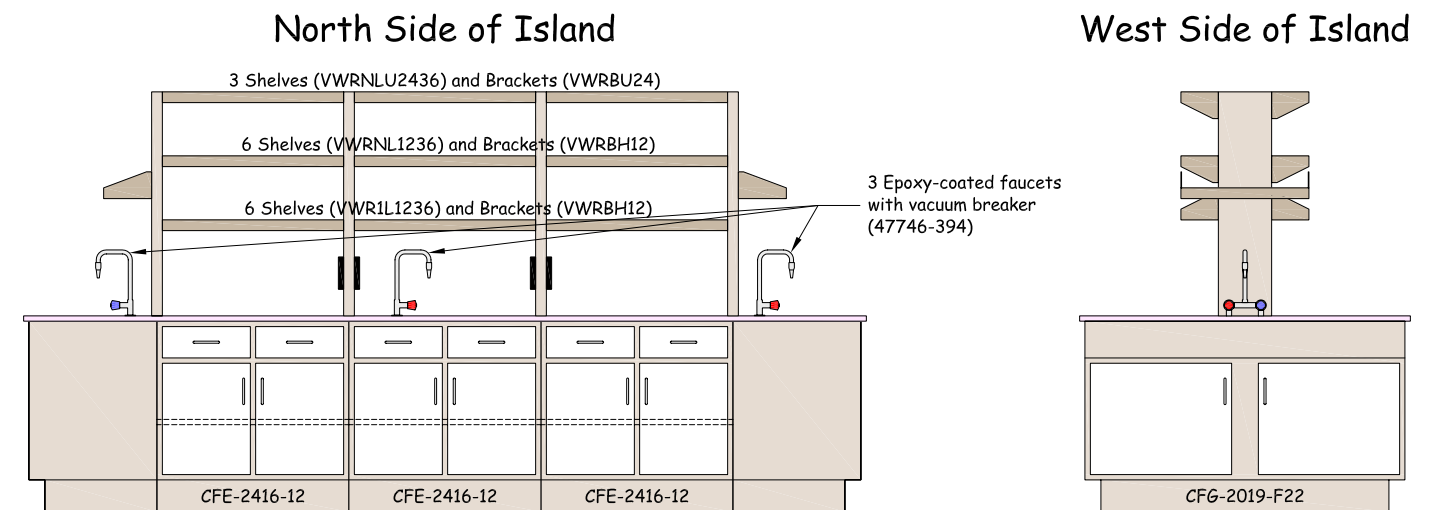


South Side of Island

East Side of Island



South Wall



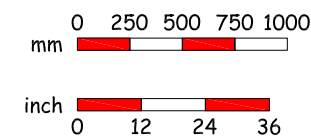
North Side of Island

West Side of Island

- Upper Cabinet
 - Lower Cabinet
 - Work Surfaces
 - Emerg. Lighting
- CFD-2328-10 Part Number (Typical)



SCALE: 1" = 3'



DATE: October 14, 2009

Drawing 02-R0

Laboratory
 RN 339
 (Drawing 2 of 2)