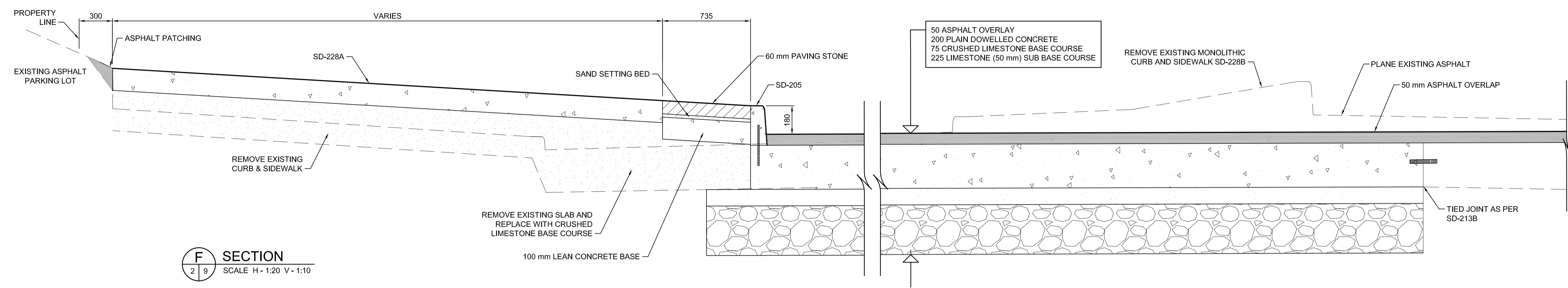


**E SECTION**  
SCALE H - 1:20 V - 1:10

50 ASPHALT OVERLAY  
200 PLAIN DOWELLED CONCRETE  
75 CRUSHED LIMESTONE BASE COURSE  
225 LIMESTONE (50 mm) SUB BASE COURSE



**F SECTION**  
SCALE H - 1:20 V - 1:10

G:\CAD\09-1545\Contract\Improvements\091545-PLAN.dwg

EXISTING	LEGEND-PLAN	PROPOSED	EXISTING	LEGEND-PLAN	PROPOSED	EXISTING	LEGEND-PROFILE	PROPOSED
150 WM	WATERMAIN	150 WM	HYDRO	HYDRO	HYDRO	150 mm W.M.	WATERMAIN	150 mm W.M.
HYDRANT	HYDRANT	MTS	MTS	M.T.S.	MTS	HYDRANT	HYDRANT	MTS
VALVE	VALVE	300 LDS	300 LDS	CONCRETE	300 mm L.D.S.	VALVE	VALVE	300 mm L.D.S.
LAND DRAINAGE SEWER	LAND DRAINAGE SEWER	250 WWS	250 WWS	ASPHALT	250 mm W.W.S.	LAND DRAINAGE SEWER	LAND DRAINAGE SEWER	300 mm L.D.S.
WASTE WATER SEWER	WASTE WATER SEWER	MANHOLE	MANHOLE	PLANING	MANHOLE	WASTE WATER SEWER	WASTE WATER SEWER	250 mm W.W.S.
CATCH BASIN	CATCH BASIN	CATCH BASIN	CATCH BASIN	SIDEWALK	CATCH BASIN	PROFILE	PROFILE	
CURB INLET	CURB INLET	PAVING STONES	PAVING STONES	PARTIAL DEPTH REPAIR	PAVING STONES	NORTH/WEST GUTTER	NORTH/WEST GUTTER	
JUNCTIONS	JUNCTIONS	PROPERTY LINE	PROPERTY LINE	SURVEY BAR	PROPERTY LINE	SOUTH/EAST GUTTER	SOUTH/EAST GUTTER	
CULVERT	CULVERT	PARAPLEGIC RAMP	PARAPLEGIC RAMP		PARAPLEGIC RAMP	NORTH/WEST T/LANE	NORTH/WEST T/LANE	
GAS	GAS					SOUTH/EAST T/LANE	SOUTH/EAST T/LANE	

**UNDERGROUND STRUCTURES**  
SUPV. U/G STRUCTURES COMMITTEE DATE

**NOTE:**  
LOCATION OF UNDERGROUND STRUCTURES AS SHOWN ARE BASED ON THE BEST INFORMATION AVAILABLE. BUT NO GUARANTEE IS GIVEN THAT ALL EXISTING UTILITIES ARE SHOWN OR THAT THE GIVEN LOCATIONS ARE EXACT. CONFIRMATION OF EXISTENCE AND EXACT LOCATION OF ALL SERVICES MUST BE OBTAINED FROM THE INDIVIDUAL UTILITIES BEFORE PROCEEDING WITH CONSTRUCTION.

B.M. ELEV.	NO.	REVISIONS	DATE	BY
	2	ISSUED FOR TENDER	07-14-09	DBW
	1	ISSUED FOR REVIEW	06-12-09	DBW

DESIGNED BY: JMS/SPC  
DRAWN BY: TJH  
CHECKED BY: DBW  
APPROVED BY:



ENGINEER'S SEAL  
PROVINCE OF MANITOBA  
REGISTERED PROFESSIONAL ENGINEER  
D.B. WIEBE  
07/14/09  
Member 22480

**THE CITY OF WINNIPEG**  
TRANSIT DEPARTMENT

ON STREET TRANSIT PRIORITY IMPROVEMENTS - PHASE 3

SECTION 09-1545

CITY DRAWING NUMBER: 09 OF 10  
CONSULTANT DRAWING NUMBER: 09-1545