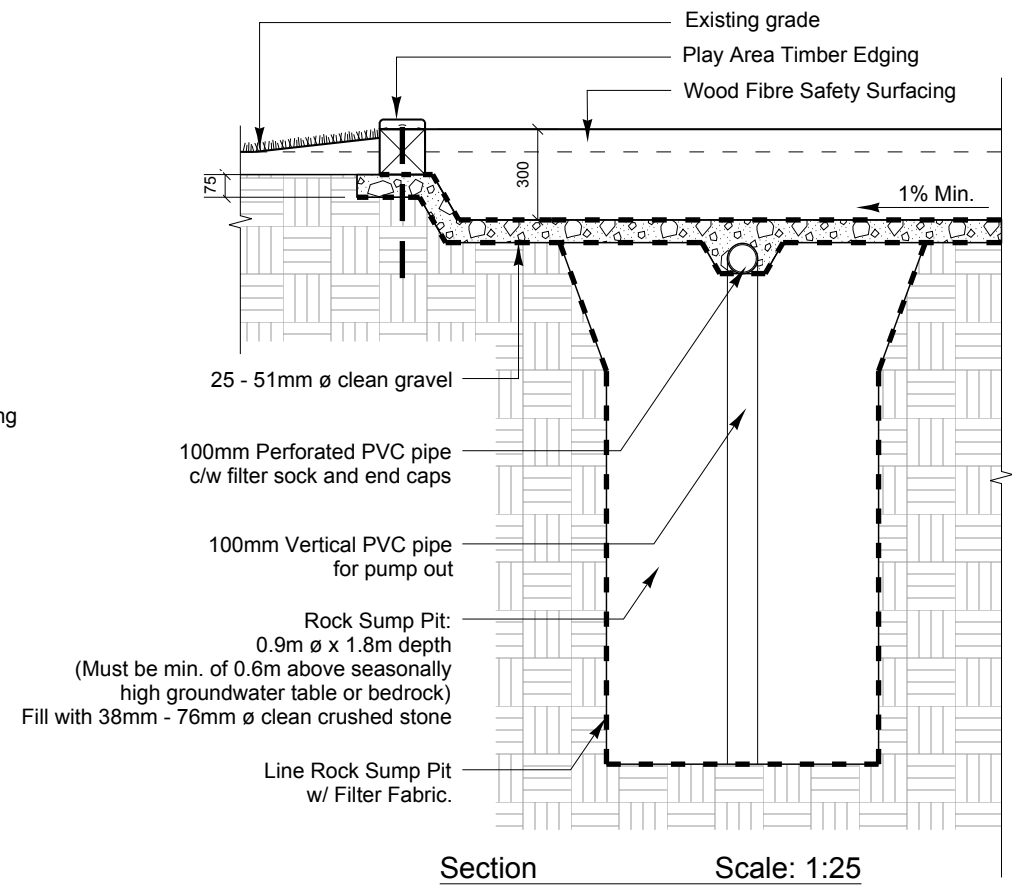
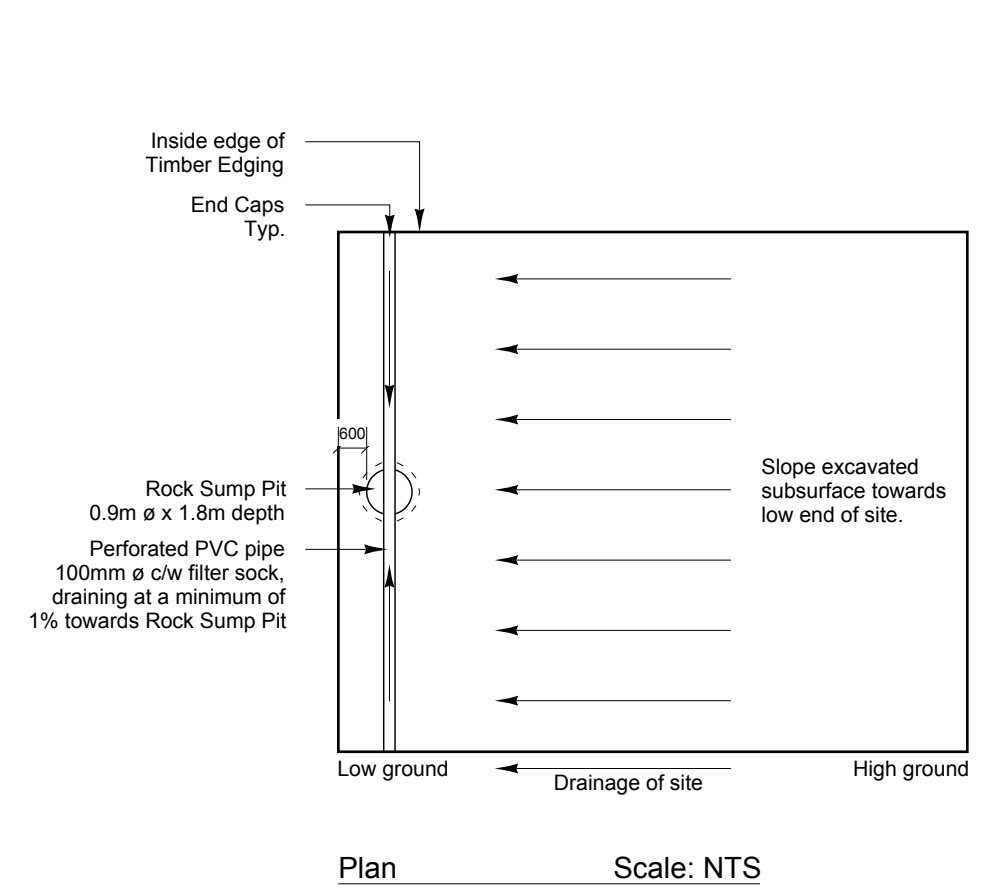


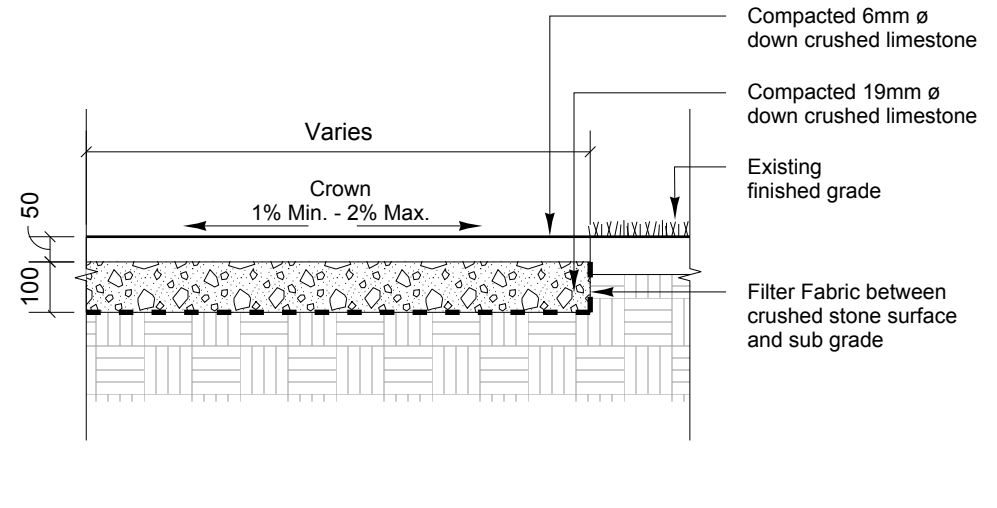
1 Pedra Single Timber Edging Detail
L.2 Scale 1:15



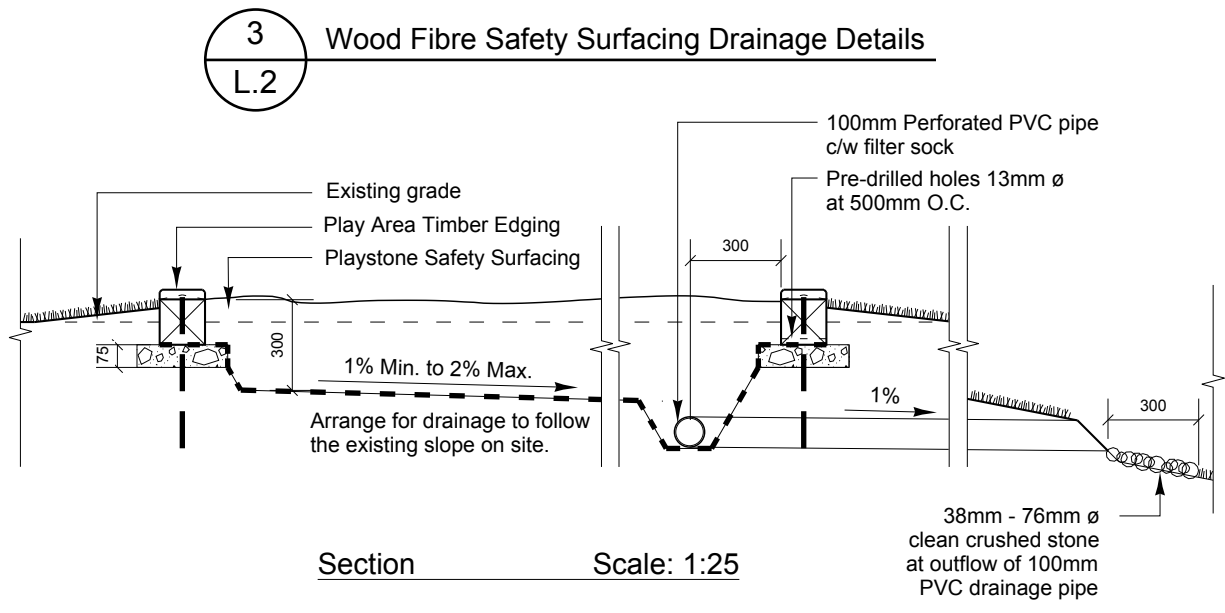
Section Scale: 1:25



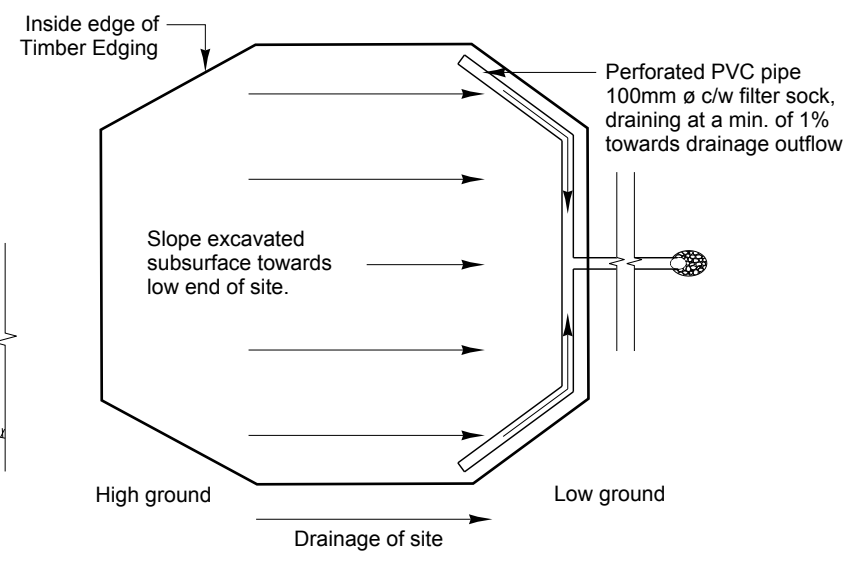
Plan Scale: NTS



2 Limestone Surfacing Detail
L.2 Scale 1:15

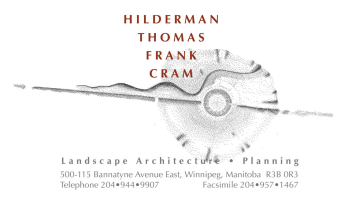


Section Scale: 1:25



Plan Scale: NTS

4 Playstone Safety Surfacing Drainage Details
L.2



BRAMBLE PARK

Project Title

Details

Drawing Title

JH

Drawn

09-012

Job

MG

Approved

June 1, 2009

Date

As Noted

Scale

L-3

Drawing