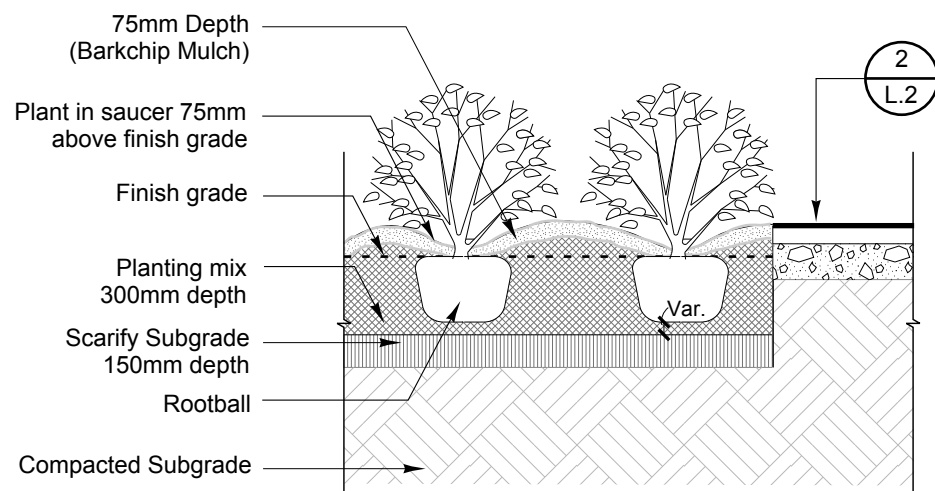


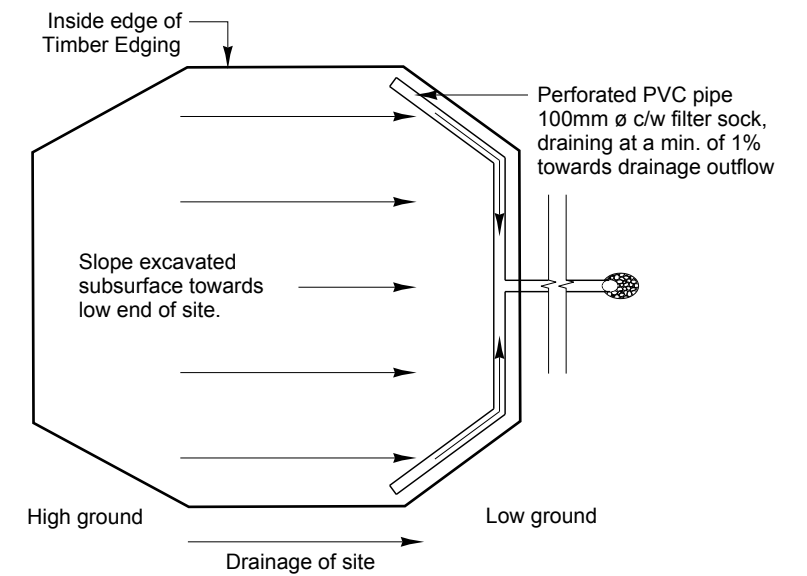
5 Deciduous Tree Planting
L.2 N.T.S.



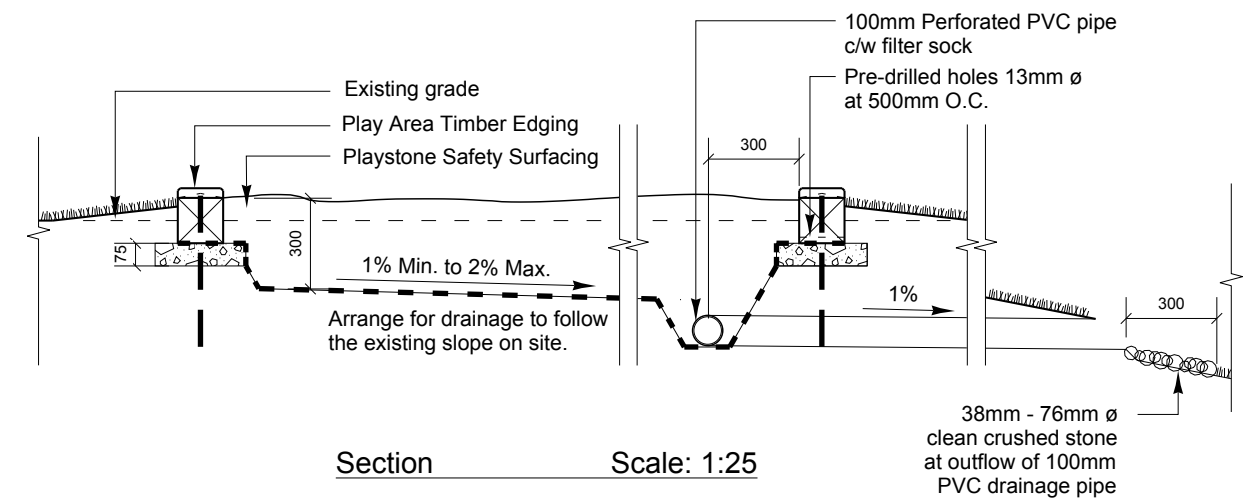
6 Shrub Planting Detail
L.2 N.T.S.

PLANT SPECIFICATION LIST

Quantity	Botanical/ Common Name	Size/Remarks
Deciduous Trees		
1	<i>Acer saccharinum</i> / Silver Maple	Multi-stemmed, 60 mm cal., 3.0-3.5 m ht., 11 major branches in well formed head 2.0 m above grade, B&B, wire basket. Double stake
Deciduous Shrubs		
9	<i>Rosa sp. 'White Pavement'</i> / White Pavement Rose	400-500 ht., min. 4 major basal branches. Well formed, bushy plants. Container stock.
3	<i>Syringa meyeri</i> / Meyer Lilac	500-600 mm ht., min. 5 major basal branches. Well formed, bushy plants. Container stock.
Coniferous Shrubs		
9	<i>Juniperus sabina</i> / Savin Juniper	300mm ø, well formed, even growth. Container stock.

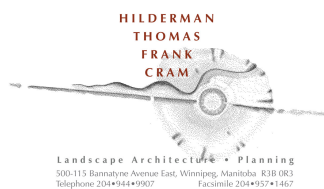


Plan Scale: NTS



Section Scale: 1:25

7 Playstone Safety Surfacing Drainage Details
L.2



CHESTER SQUARE PARK

Project Title

Details 2

Drawing Title

JH

Drawn

09-012

Job

MG

Approved

June 1, 2009

Date

As Noted

Scale

L.4

Drawing