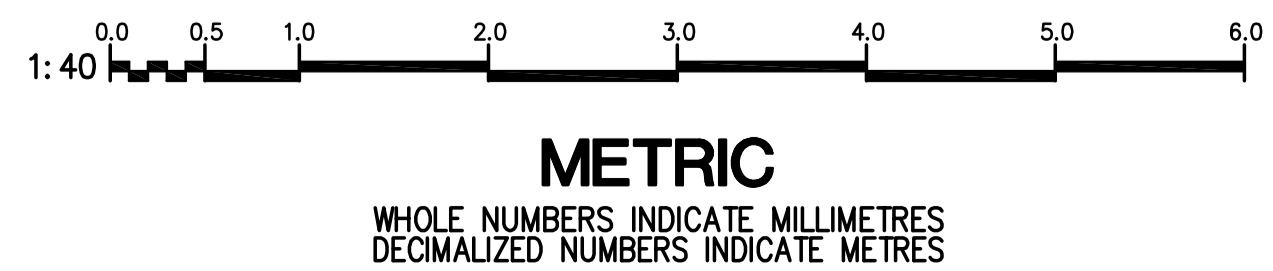
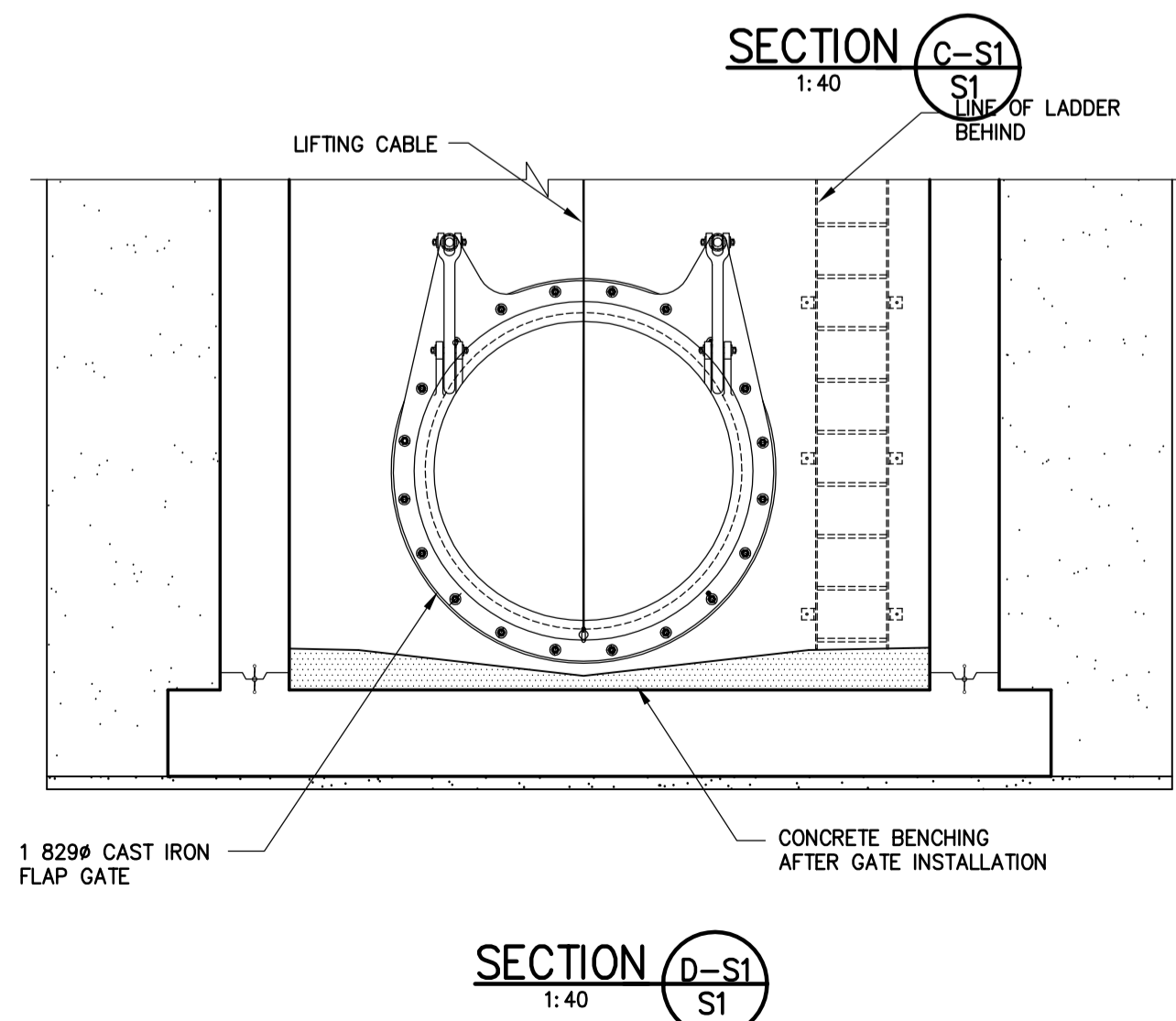


NOTE: CONTRACTOR SHALL CONFIRM ACTUAL PIPE INVERT AND NOTIFY CONTRACT ADMINISTRATOR OF ANY DISCREPANCY WITH THE INVERTS SHOWN. CONTRACTOR TO CONTACT CITY OF WINNIPEG, WATER AND WASTE DEPARTMENT, FOR CURRENT GROUNDWATER ELEVATION.



Jun 18, 2009 - 2:53pm
P: 42000 - 42099 V42012 2008 Outfall Gate Chamber Construction and Upgrades Drawings 09 06 18.dwg - lab:Concrete

NOTE: These design documents are prepared solely for the use by the party with whom the design professional has entered into a contract and there are no representations of any kind made by the design professional to any party with whom the design professional has not entered into a contract.

A-B
C
A = DETAIL/SECTION No.
B = DRAWING WHERE SHOWN
C = DRAWING WHERE TAKEN

APEGM
Certificate of Authorization
MMM Group Limited
No. 4531 Date: 09.06.18

MMM GROUP		MMM Group Limited Suite 111-93 Lombard Ave. Winnipeg, MB R3B 3E1 t. 204.943.3178 f. 204.943.4948 www.mmm.ca	
DESIGNED BY	MW	CHECKED BY	GK
DRAWN BY	RCS	APPROVED BY	JPL
HOR. SCALE	AS SHOWN	RELEASED FOR CONSTRUCTION	
VERTICAL			
NO.	REVISIONS	DATE	BY
1	RE-ISSUED FOR TENDER	09.06.18	GK
0	ISSUED FOR TENDER	08.08.27	GK

ENGINEER'S SEAL
PROFESSIONAL ENGINEER
MEMBER
24806

THE CITY OF WINNIPEG
WATER AND WASTE DEPARTMENT
2009 SOMERSET AVENUE AND WILDWOOD STREET
OUTFALL GATE CHAMBER CONSTRUCTION
SOMERSET AVENUE
LDS OUTFALL GATE CHAMBER
CONCRETE DETAILS

CONSULTANT DRAWING NUMBER
42012-S1
SHEET 2 OF 8
CITY DRAWING NUMBER
LD-5064

BID OPPORTUNITY 468-2009
PLOT DATE: 09.06.18