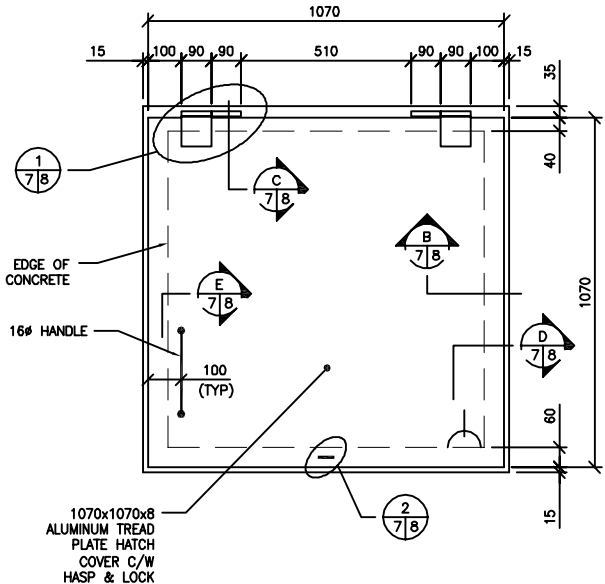
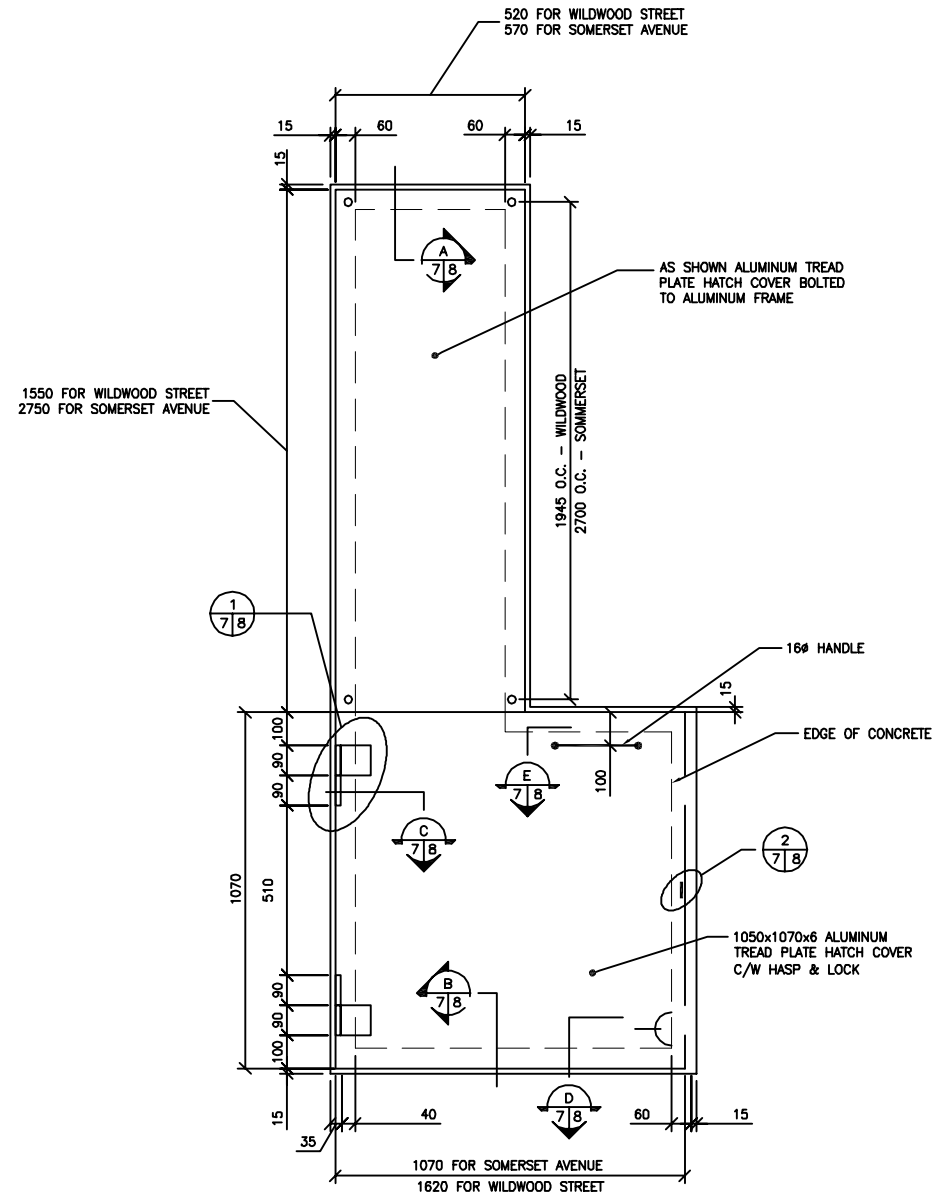


1 DETAIL
1:10



2 DETAIL
1:10

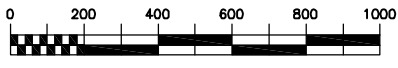


3 DETAIL
1:10

- A = DETAIL NUMBER
- B = DRAWING WHERE TAKEN
- C = DRAWING WHERE SHOWN

NOTE:
CONFIRM ALL DIMENSIONS SHOWN FOR HATCHES BEFORE FABRICATING.

METRIC
WHOLE NUMBERS INDICATE MILLIMETRES
DECIMALIZED NUMBERS INDICATE METRES



NO.	REVISIONS	DATE	BY	DATE

DESIGNED BY		DGS		CHECKED BY		DGS	
DRAWN BY		CJH		APPROVED BY		KZ	
HOR. SCALE		AS SHOWN		RELEASED FOR CONSTRUCTION			
NO.		DATE		DATE		2009 06 23	

ENGINEER'S SEAL

ORIGINAL SIGNED BY K.R. ZUREK
09/06/23

BID OPPORTUNITY: 468-2009
FILENAME: LD-5072.dwg
PLOT DATE: 2009 06 23

THE CITY OF WINNIPEG
WATER AND WASTE DEPARTMENT

2009 SOMERSET AVENUE AND WILDWOOD STREET
OUTFALL GATE CHAMBER CONSTRUCTION

SOMERSET AND WILDWOOD
GATE CHAMBERS
ACCESS HATCH DETAILS

SHEET 7 OF 8
CITY DRAWING NUMBER
LD-5298