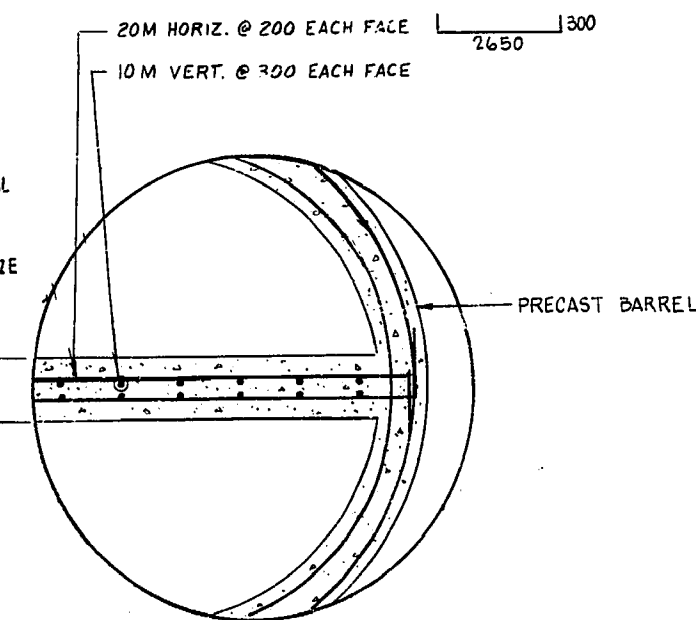
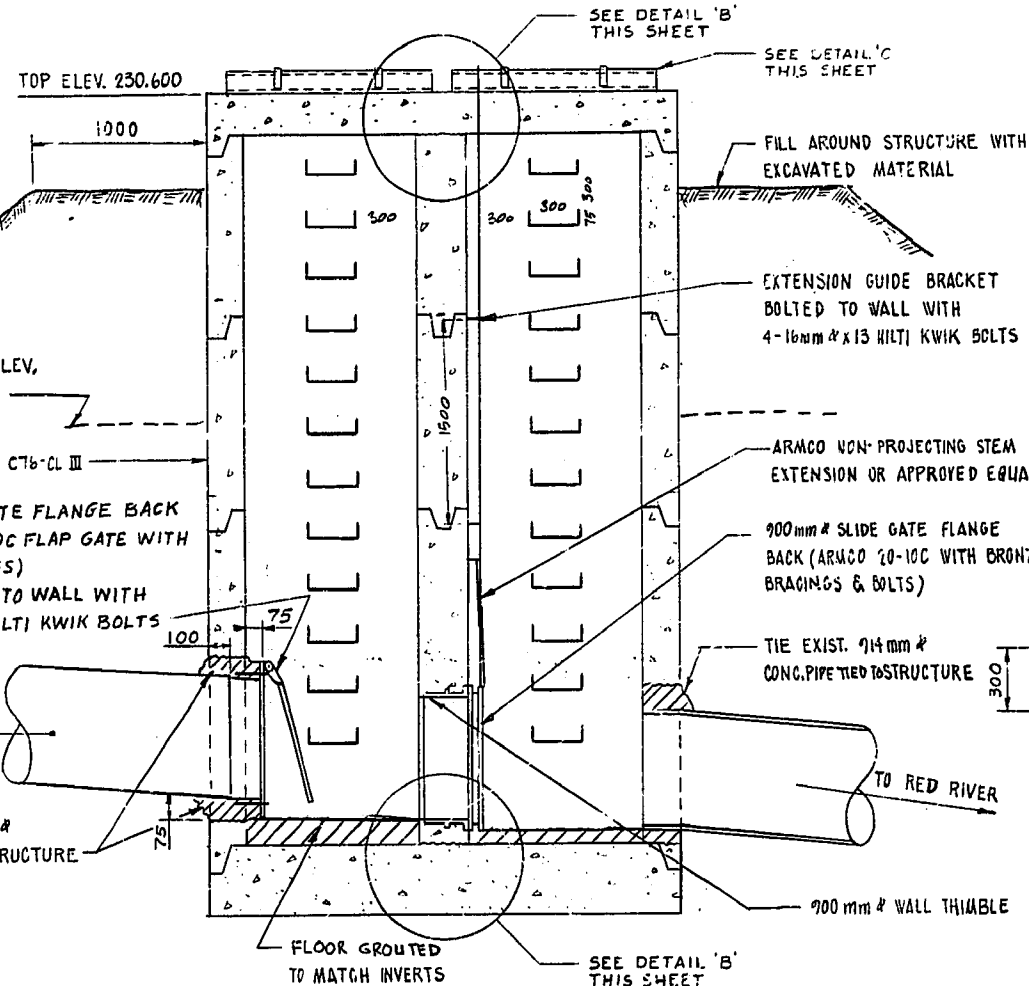
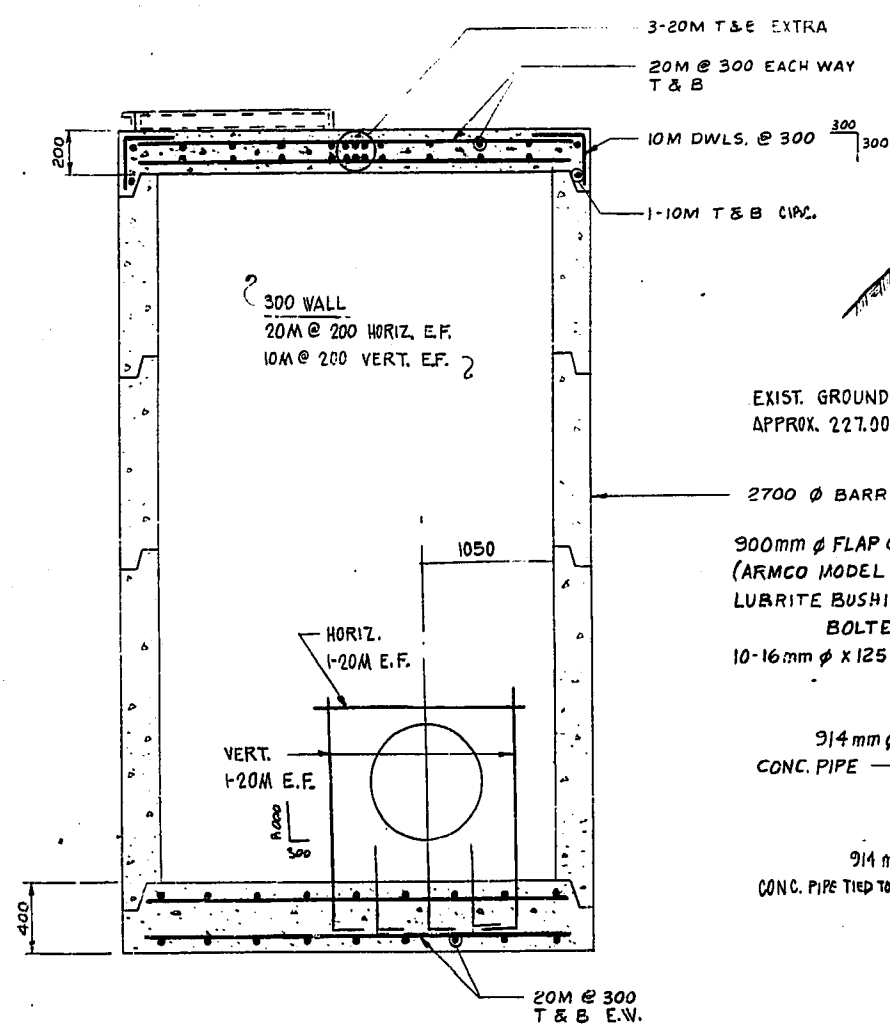


NOTE: SEE DETAIL DRAWING FOR TYPE A CONTROL STRUCTURE FOR ADR. NOTES



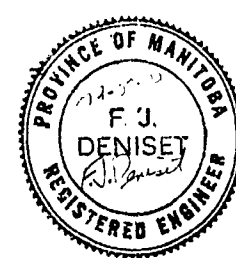
NOTE: ALL DIMENSIONS ARE IN METRES UNLESS OTHERWISE SPECIFIED.

AS-BUILT		
DATE	FB. NO.	PAGE
NOV. 1980	1179	23-40

UNDERGROUND STRUCTURES

LOCATIONS OF UNDERGROUND STRUCTURES AS SHOWN ARE BASED ON THE BEST INFORMATION AVAILABLE, BUT NO GUARANTEE IS GIVEN THAT ALL EXISTING UTILITIES ARE SHOWN OR THAT THE GIVEN LOCATIONS ARE EXACT. CONFIRMATION OF EXISTENCE AND EXACT LOCATION OF ALL SERVICES MUST BE OBTAINED FROM THE INDIVIDUAL UTILITIES BEFORE PROCEEDING WITH CONSTRUCTION

1	AS BUILT COMPLETED	NOV./80	CDR
-	ISSUED FOR TENDER		
0	SUBMITTED FOR APPROVAL	JULY/79	
No.	REVISIONS	DATE	APP.



W.L. WARDROP & ASSOCIATES LTD. ENGINEERING CONSULTANTS WINNIPEG - THUNDER BAY - REGINA - BARRIE - EDMONTON	
DESIGNED BY	FJD
DRAWN BY	SB, CAM
CHECKED BY	WRD
DATE	JULY, 1979
APPROVED BY	[Signature]
DATE	8 AUG. 1979

**THE CITY OF WINNIPEG**  
WORKS & OPERATIONS DEPARTMENT  
WATERWORKS, WASTE & DISPOSAL DIVISION

CONTROL STRUCTURE  
TYPE B - DETAILS  
(CS\* 6 ONLY)

AUTHORIZED BY	DATE
[Signature]	9 AUG. 1979
SCALE	DRAWING NO.
N.T.S.	LD-295