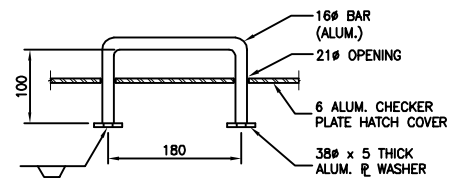
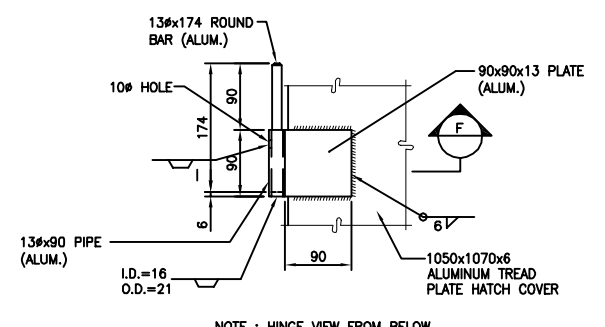


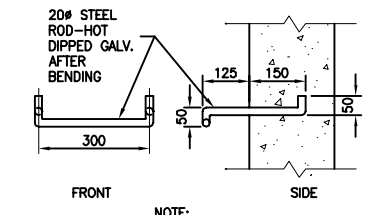
A HATCH COVER BOLT DOWN SECTION
1:5



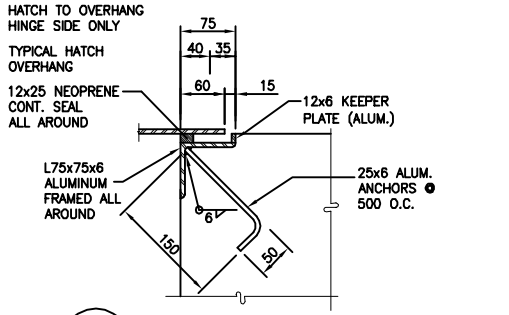
E SECTION
1:5



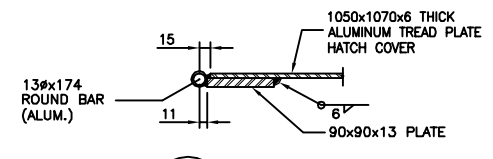
NOTE: HINGE VIEW FROM BELOW
1 DETAIL
1:5



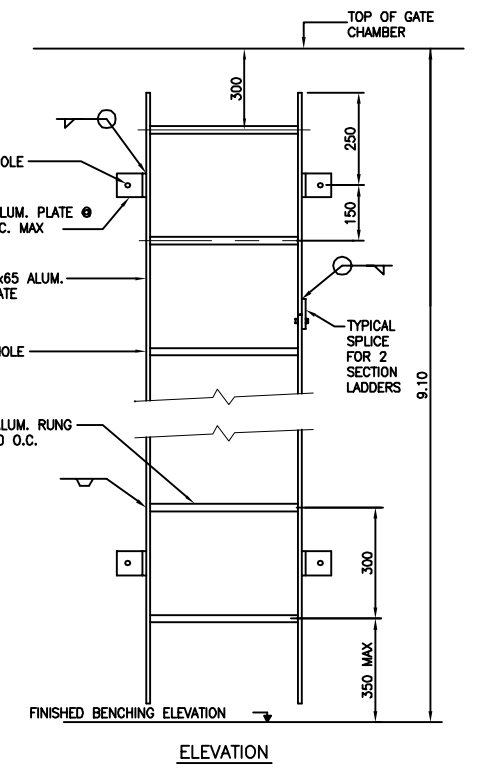
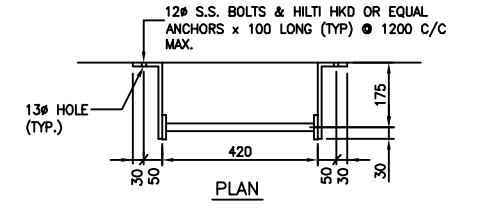
NOTE: RUNGS TO BE SPACED @ 300 O.C.
8 TYPICAL LADDER RUNG DETAIL
1:10



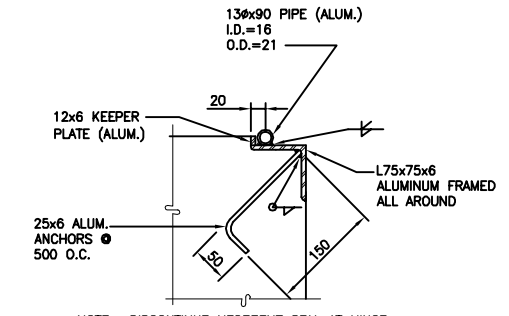
B HATCH SUPPORT SECTION
1:5



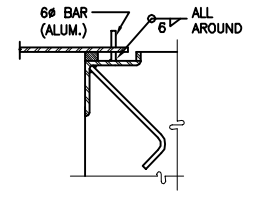
F SECTION
1:5



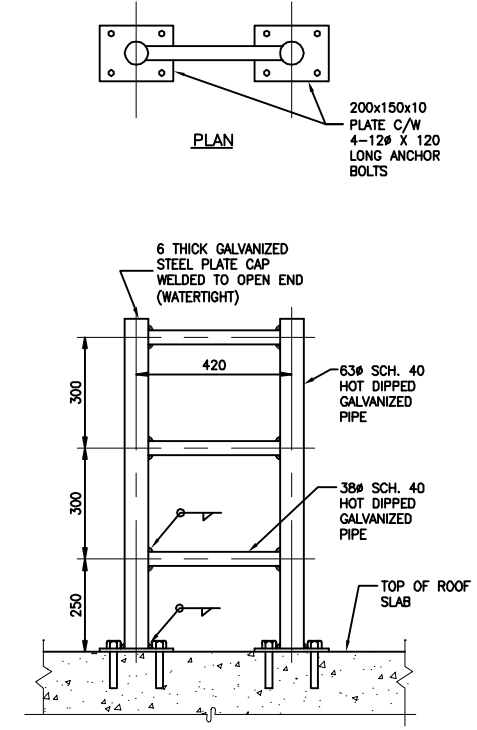
4 LADDER DETAIL
1:10



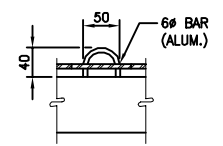
NOTE: DISCONTINUE NEOPRENE SEAL AT HINGE LOCATION
C SECTION
1:5



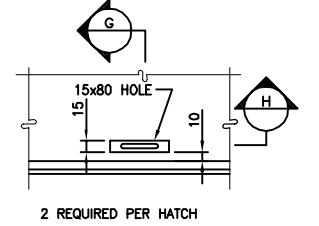
G SECTION
1:5



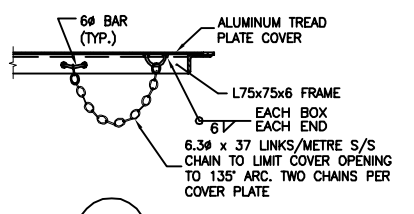
3 HAND HOLD DETAIL
1:10



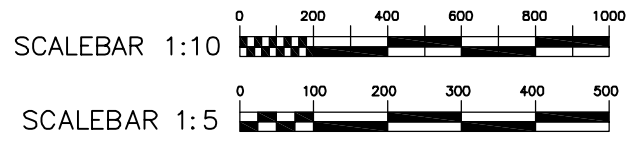
H SECTION
1:5



2 HATCH LOCK HASP PLAN
1:5



D SECTION
1:10



NOTE: ALL NUTS, BOLTS AND FASTENERS TO BE TYPE 316 STAINLESS STEEL.

METRIC
WHOLE NUMBERS INDICATE MILLIMETRES
DECIMALIZED NUMBERS INDICATE METRES

B.M. ELEV.	FIELD BOOK #:	CITY OF WINNIPEG WATER AND WASTE ENGINEERING DIVISION		ENGINEER'S SEAL	THE CITY OF WINNIPEG WATER AND WASTE DEPARTMENT 2009 CONWAY STREET ADDITION OUTFALL GATE CHAMBER CONSTRUCTION CONWAY STREET GATE CHAMBER MISCELLANEOUS DETAILS	SHEET 5 OF 5 CITY DRAWING NUMBER LD-5073
POSTED TO LBS				ORIGINAL SIGNED BY K.R. ZUREK 09/06/23		
DESIGNED BY DGS	CHECKED BY SC	DRAWN BY CJH APPROVED BY SC	HOR. SCALE AS SHOWN VERTICAL SHOWN	RELEASED FOR CONSTRUCTION	BID OPPORTUNITY: 469-2009 FILENAME: LD-5073.dwg PLOT DATE: 2009 06 23	
NO. REVISIONS	DATE	BY	DATE	2009 06 23		