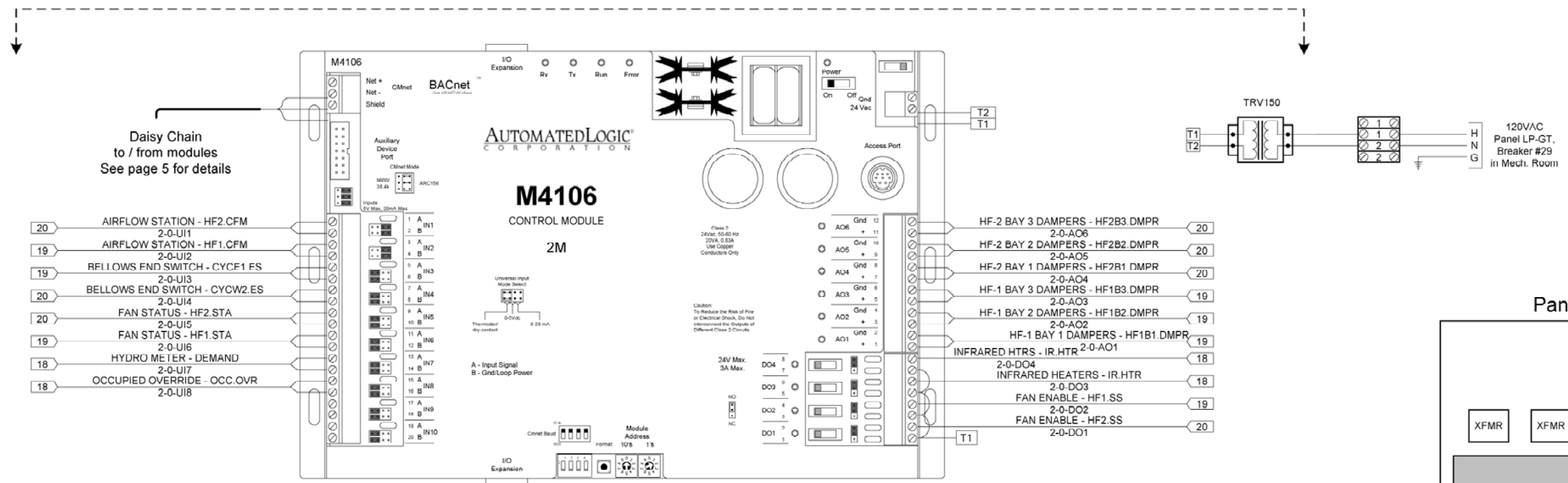


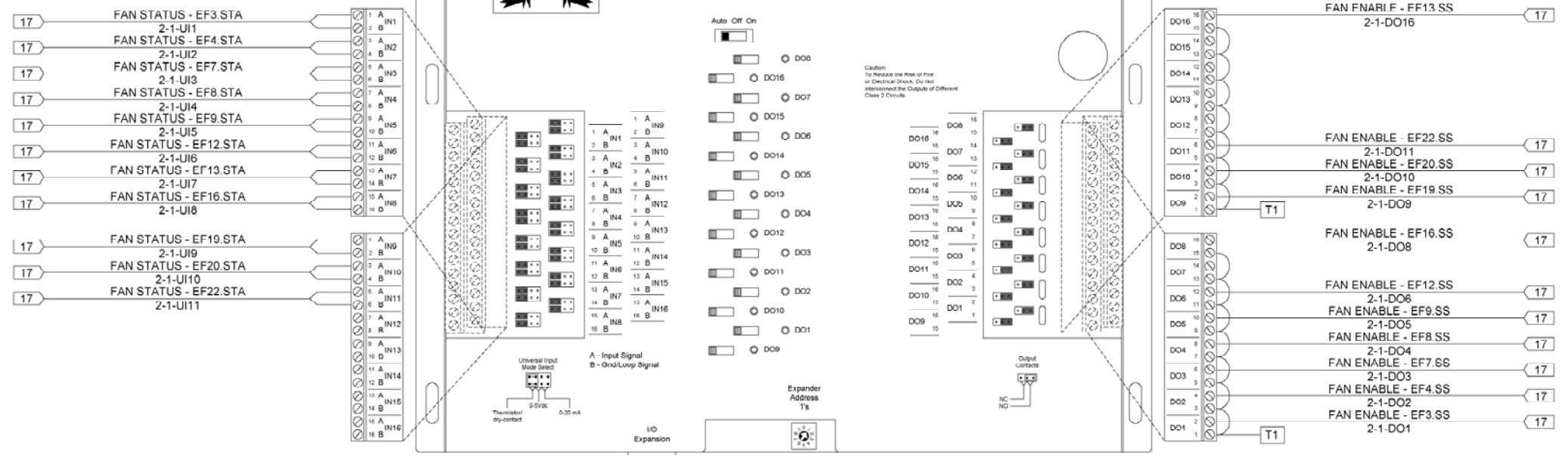
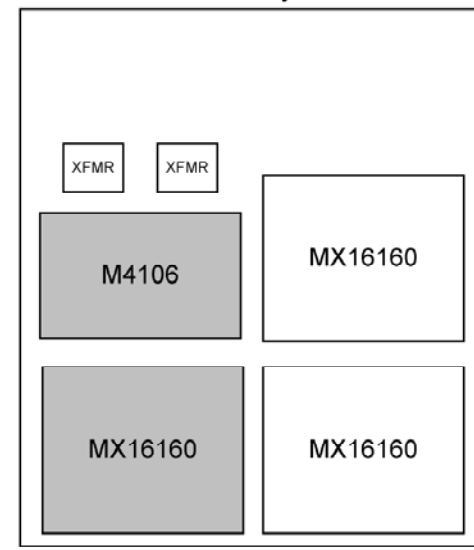
EF Controller(s)

DDC Control Panel

Bill of Materials				
DID	DESCRIPTION	MANUFACTURER	PART NUMBER	QTY
M4106	M4106	AUTOMATED LOGIC	M4106	1 ea
MX16160	MX16160	AUTOMATED LOGIC	MX16160	1 ea
TRV150	120/24 VAC TRANSFORMER 150VA WITH BREAKER	VERIS IND	X150CAA	1 ea



Panel Layout



General Notes:
 1. 24VAC relays shall be located in the control panel. See page 17 for relay wiring details and designations.

Winnipeg Transit			
Winnipeg, Manitoba			
Integrated Control Systems			
EF Controller(s)			
REV: 1	As-Built	5/29/2008	JOB NO: ICS06-81
AUTOMATED LOGIC CORPORATION			CHECK BY: JJL
			DSCODE:
14 of 27			