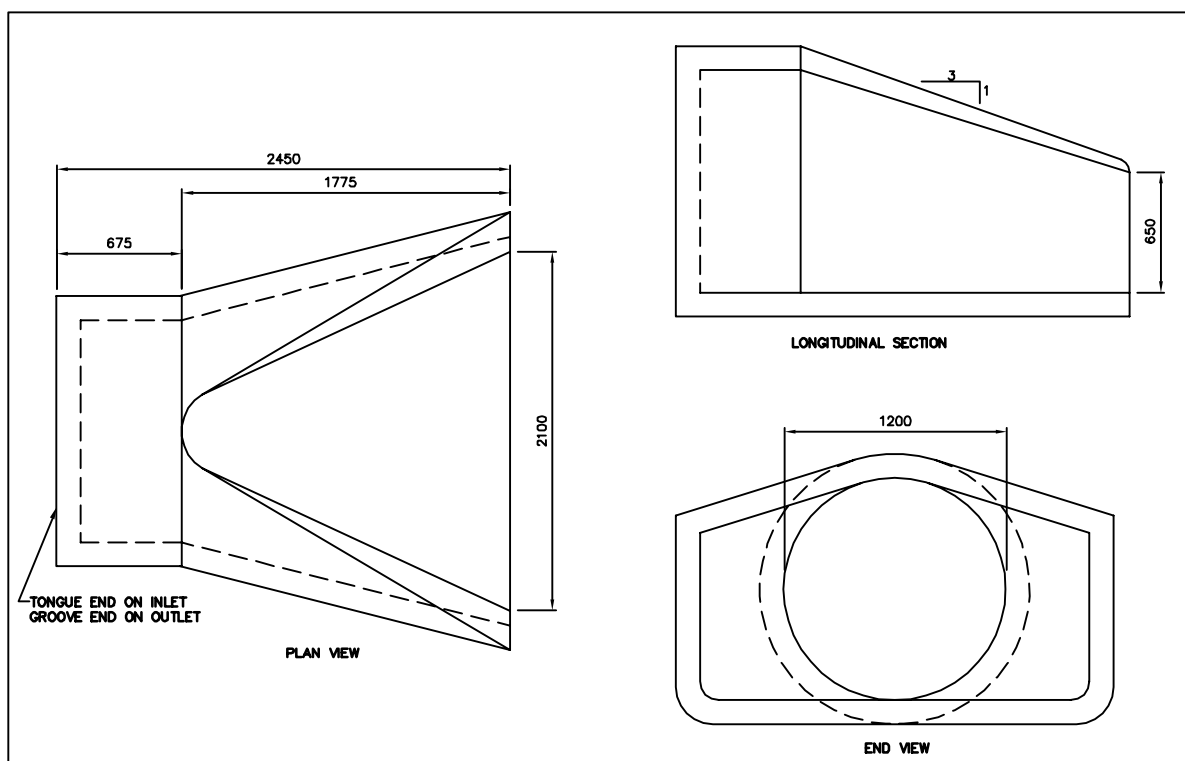
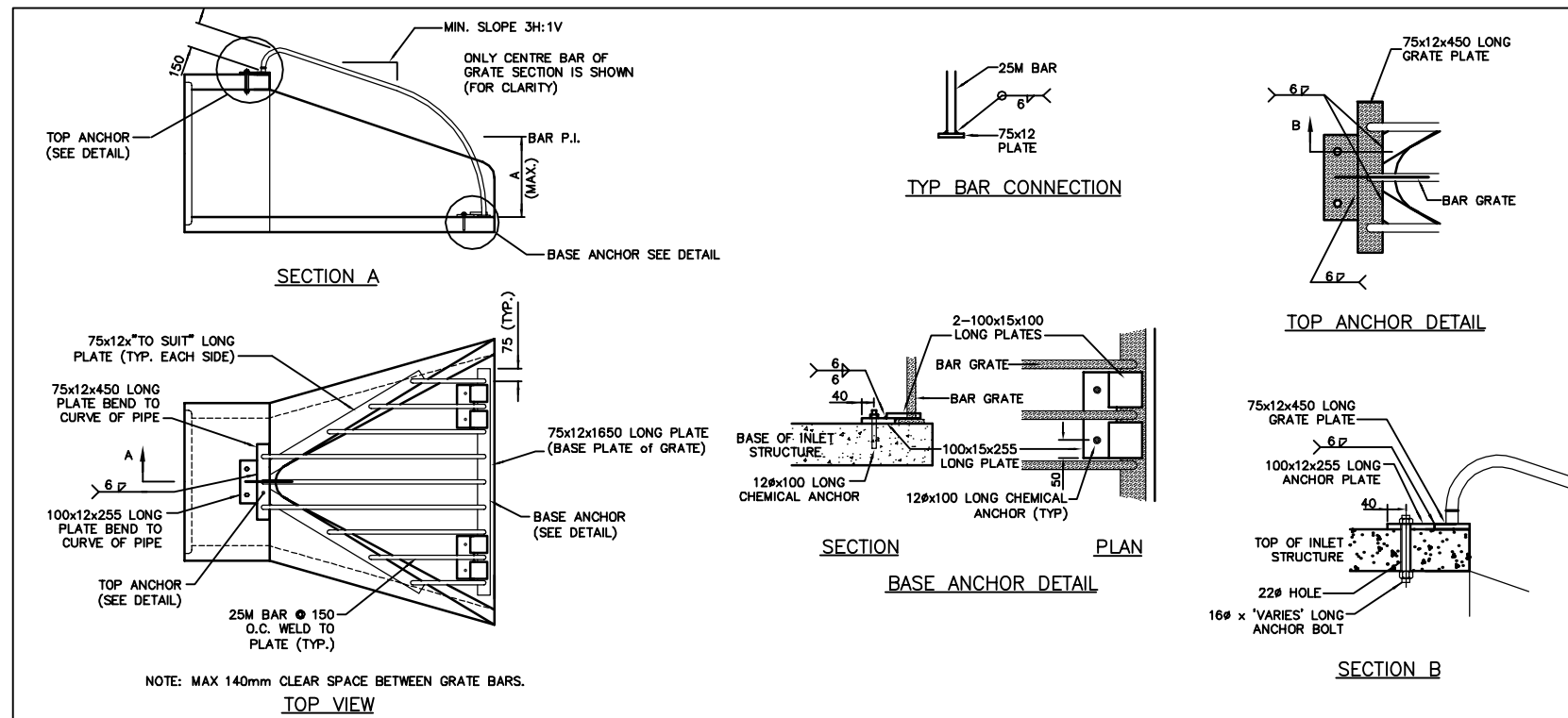




CLEARING AND GRUBBING AREA SCALE: 1:2500



DETAIL 'E'  
1200 PRECAST CONCRETE FLARE  
SECTION DRAINAGE INLET  
SCALE: NTS




DETAIL 'F'  
FLARED END SECTION C/W SAFETY GRATE  
SCALE: NTS

THIS DRAWING CONTAINS A 2005 AERIAL PHOTO



METRIC  
WHOLE NUMBERS INDICATE MILLIMETRES  
DECIMALIZED NUMBERS INDICATE METRES

**WARNING**  
IF POWER EQUIPMENT OR EXPLOSIVES ARE TO BE USED FOR EXCAVATION ON THIS PROJECT THE CONTRACTOR MUST:  
1) NOTIFY THE GAS COMPANY OF THE PROPOSED LOCATION OF EXCAVATION.  
2) TAKE PRECAUTION TO AVOID DAMAGE TO GAS COMPANY INSTALLATIONS.  
SEE PROVINCIAL REGULATION 210/72 FOR DETAILS

ELEV.	B.M.	FIELD BOOK #:	<b>CITY OF WINNIPEG WATER AND WASTE ENGINEERING DIVISION</b>		ENGINEER'S SEAL
POSTED TO LBIS					
DESIGNED BY	AMc	CHECKED BY	KZ	ORIGINAL SIGNED BY K.R. ZUREK 09/08/07	 <b>THE CITY OF WINNIPEG</b> WATER AND WASTE DEPARTMENT 2009 CONSTRUCTION OF THE HOWE AVENUE DRAIN AND ASSOCIATED WORKS <b>CLEARING AND GRUBBING</b> HOWE AVENUE - LOUDOUN ROAD TO McCREARY ROAD
DRAWN BY	WKT	APPROVED BY	KZ		
HOR. SCALE	AS SHOWN	RELEASED FOR CONSTRUCTION		BID OPPORTUNITY : 477-2009 FILENAME : LD-5426.dwg PLOT DATE : 2009 08 07	SHEET 4 OF 5 CITY DRAWING NUMBER <b>LD-5426</b>
NO. REVISIONS		DATE	2009 08 07		