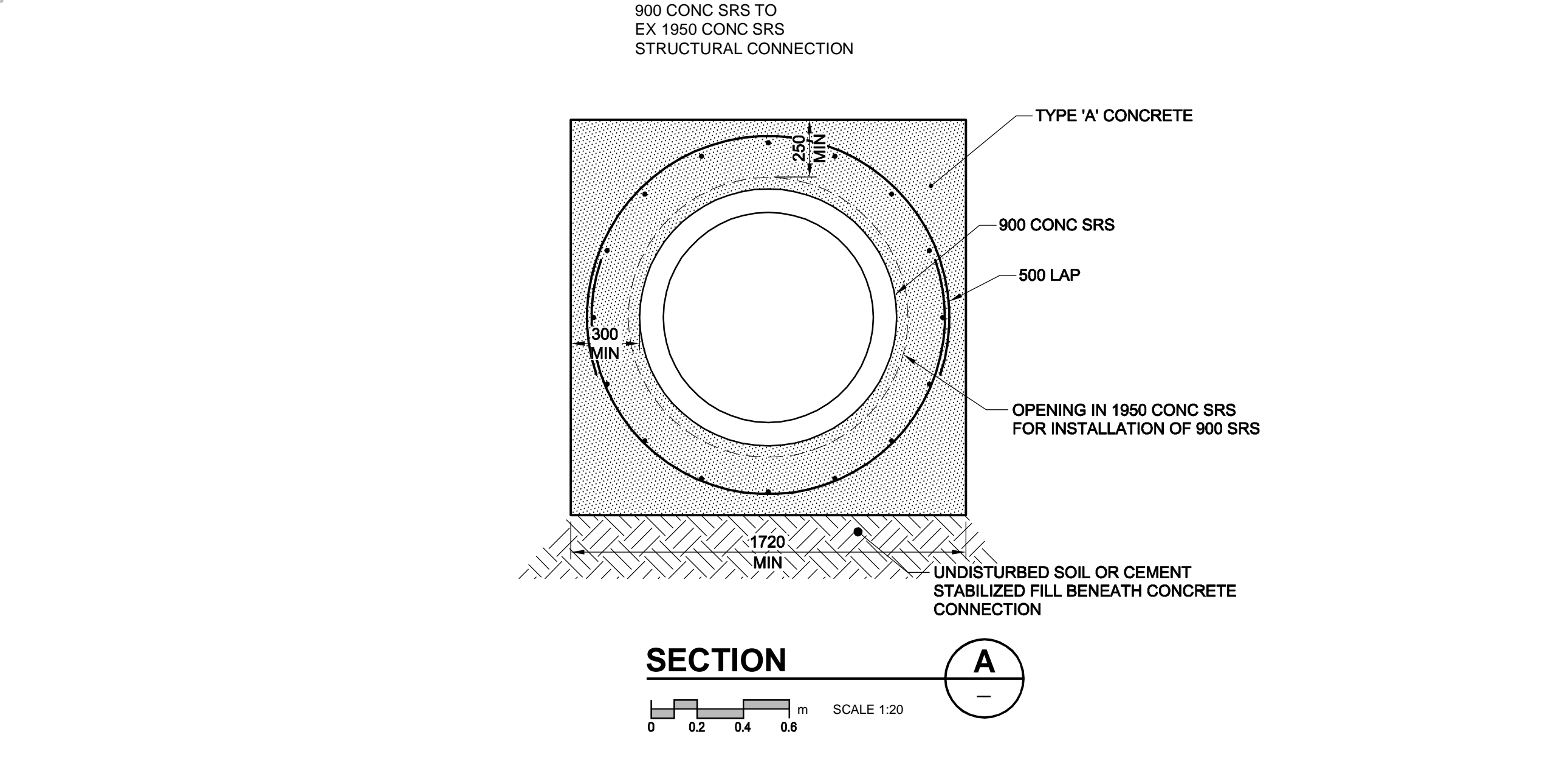
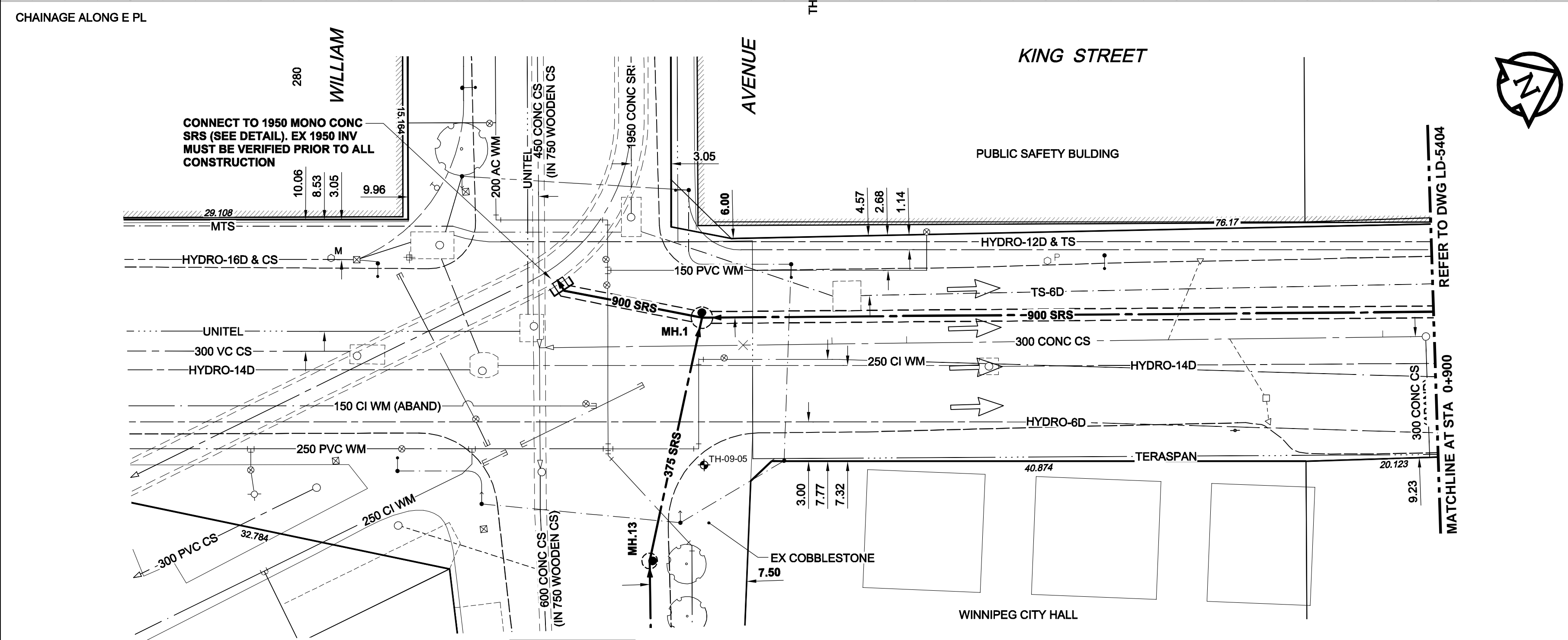
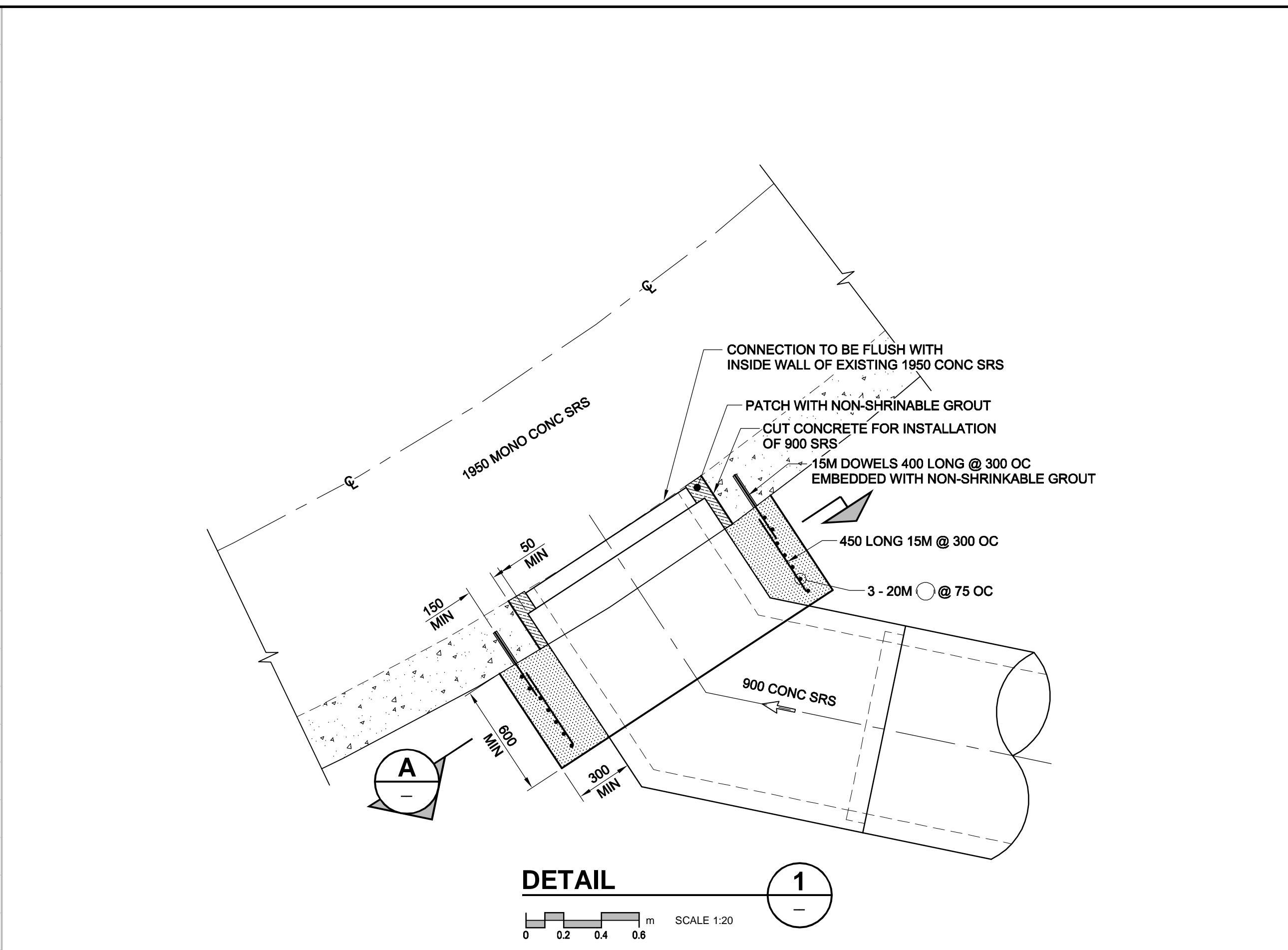
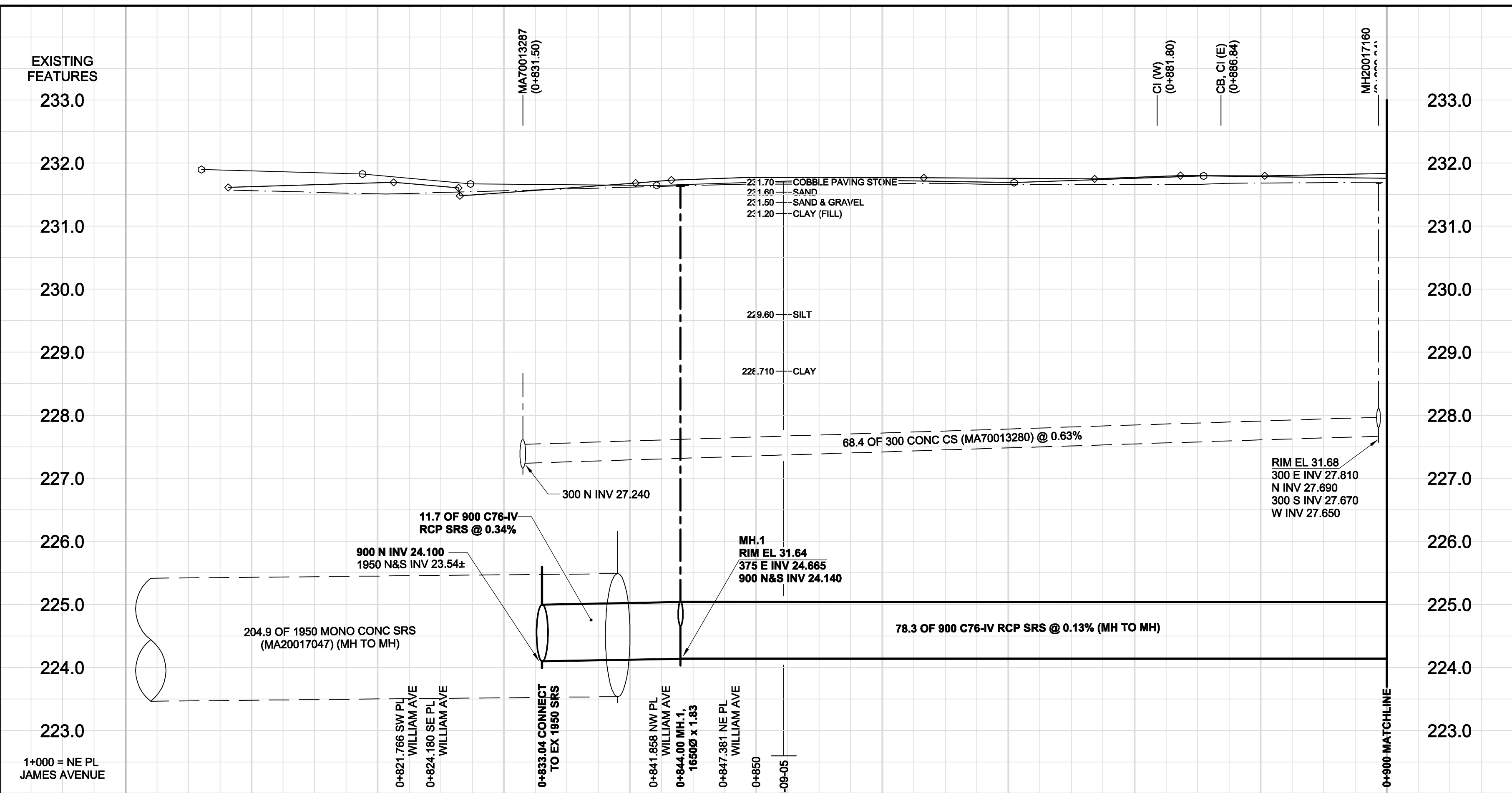


D SIZE 22" x 34" (559mm x 864mm)

PLOT: 09/07/07 1:57:25 PM

AECOM REVIEW DRFT CHK ADL  
AECOM FILE NAME: D285-177-05\_01-C-1001\_RX.dwg Saved By: [illegible]



**WARNING**  
IF POWER EQUIPMENT OR EXPLOSIVES ARE TO BE USED FOR EXCAVATION ON THIS PROJECT, THE CONTRACTOR MUST:  
1) NOTIFY THE GAS COMPANY OF THE PROPOSED LOCATION OF EXCAVATION.  
2) TAKE PRECAUTION TO AVOID DAMAGE TO GAS COMPANY INSTALLATIONS.  
SEE PROVINCIAL REGULATION 140/92 FOR DETAILS

FOR FURTHER INFO SEE DWG LD-5410

- CONSTRUCTION NOTES:**
- FOR DETAILED TEST HOLE INFORMATION, SEE SPECIFICATION.
  - THE LOCATION OF ALL SERVICES IS TO BE CONFIRMED IN THE FIELD.
  - INSTALL NEW SEWERS AND CATCHBASIN LEADS BY TRENCHLESS METHODS WHEREVER POSSIBLE.
  - RENEW/REHABILITATE CATCHBASINS & RENEW CATCHBASIN LEADS WHERE NOTED.

**APEGM**  
Certificate of Authorization  
AECOM Canada Ltd.  
No. 4671 Date: July 7, 2009

BID OPPORTUNITY NO. 499-2009

EXISTING	LEGEND - PLAN	NEW	EXISTING	LEGEND - PROFILE	NEW	EXISTING	LEGEND - PROFILE	NEW
150 WM	WATERMAIN	150 WM	150 WM	CURB STOP	150 WM	WATERMAIN	150 WM	WATERMAIN
300 LDS	LAND DRAINAGE SEWER	300 LDS	300 LDS	REDUCER	300 LDS	LAND DRAINAGE SEWER	300 LDS	LAND DRAINAGE SEWER
250 WWS	WASTE WATER SEWER	250 WWS	250 WWS	COUPLING	250 WWS	WASTE WATER SEWER	250 WWS	WASTE WATER SEWER
MANHOLE	MANHOLE	MANHOLE	MANHOLE	ANODE	MANHOLE	MANHOLE	MANHOLE	MANHOLE
CATCH BASIN	CATCH BASIN	CATCH BASIN	CATCH BASIN	HYDRO	CATCH BASIN	CATCH BASIN	CATCH BASIN	CATCH BASIN
CURB INLET	CURB INLET	CURB INLET	CURB INLET	MTS	CURB INLET	CURB INLET	CURB INLET	CURB INLET
CULVERT	CULVERT	CULVERT	CULVERT	GAS	CULVERT	CULVERT	CULVERT	CULVERT
PIPE ABANDONMENTS	PIPE ABANDONMENTS	PIPE ABANDONMENTS	PIPE ABANDONMENTS	TESTHOLE	PIPE ABANDONMENTS	PIPE ABANDONMENTS	PIPE ABANDONMENTS	PIPE ABANDONMENTS
SURVEY BAR	SURVEY BAR	SURVEY BAR	SURVEY BAR	LAMP STANDARD	SURVEY BAR	SURVEY BAR	SURVEY BAR	SURVEY BAR
EXISTING	LEGEND - PLAN	NEW	EXISTING	TREE	EXISTING	LEGEND - PROFILE	NEW	EXISTING

**LOCATION APPROVED UNDERGROUND STRUCTURES**  
SUPR. U/G STRUCTURES DATE COMMITTEE  
NOTE: LOCATION OF UNDERGROUND STRUCTURES AS SHOWN ARE BASED ON THE BEST INFORMATION AVAILABLE. BUT NO GUARANTEE IS GIVEN THAT ALL EXISTING UTILITIES ARE SHOWN OR THAT THE GIVEN LOCATIONS ARE EXACT. CONFIRMATION OF EXISTENCE AND EXACT LOCATION OF ALL SERVICES MUST BE OBTAINED FROM THE INDIVIDUAL UTILITIES BEFORE PROCEEDING WITH CONSTRUCTION.

NO.	REVISIONS	YYMMDD	BY
0	ISSUED FOR CONSTRUCTION	09/07/06	KMB

DESIGNED BY	GEB	CHECKED BY	FMI
DRAWN BY	KMB	APPROVED BY	BTW
HOR. SCALE	1:250	RELEASED FOR CONSTRUCTION	C. Boulet
VERT. SCALE	1:50	DATE	July 7, 2009

PROFESSIONAL'S SEAL  
ISSUE / REVISION 0  
ISSUED FOR CONSTRUCTION  
WAS SEALED BY  
A. NAGY  
AND DATED  
July 7, 2009  
CONSULTANT DRAWING NO.  
D285-177-05\_01-C-1001\_RX.dwg

**THE CITY OF WINNIPEG**  
WATER AND WASTE DEPARTMENT  
ALEXANDER/BANNATYNE  
COMBINED SEWER RELIEF  
CONTRACT 5  
KING STREET  
80m N OF BANNATYNE AVENUE  
TO MATCHLINE 0+900  
SHEET 1 OF 20  
CITY DRAWING NUMBER  
LD-5403  
REV 0