

WARNING
IF POWER EQUIPMENT OR EXPLOSIVES ARE TO BE USED FOR EXCAVATION ON THIS PROJECT, THE CONTRACTOR MUST:
1) NOTIFY THE GAS COMPANY OF THE PROPOSED LOCATION OF EXCAVATION.
2) TAKE PRECAUTION TO AVOID DAMAGE TO GAS COMPANY INSTALLATIONS.
SEE PROVINCIAL REGULATION 140/92 FOR DETAILS

150 WM	WATERMAIN	150 WM	150 WM	CURB STOP	150 WM	WATERMAIN	150 WM
	HYDRANT		VALVE		REDUCER COUPLING		HYDRANT
	LAND DRAINAGE SEWER		WASTE WATER SEWER		ANODE		LAND DRAINAGE SEWER
	WASTE WATER SEWER		WASTE WATER SEWER		HYDRO		WASTE WATER SEWER
	MANHOLE		CATCH BASIN		MTS		PAVEMENT CROWN
	CURB INLET		GAS		N/W PROPERTY LINE		S/E PROPERTY LINE
	CULVERT		N/W GUTTER		S/E GUTTER		N/W GUTTER
	PIPE ABANDONMENTS		SURVEY BAR		TESTHOLE		LAMP STANDARD
	TREE		TREE		TREE		TREE
	EXISTING		NEW		LEGEND - PLAN		LEGEND - PROFILE
	EXISTING		NEW		LEGEND - PLAN		LEGEND - PROFILE

LOCATION APPROVED UNDERGROUND STRUCTURES
SUPR. U/G STRUCTURES DATE COMMITTEE
NOTE: LOCATION OF UNDERGROUND STRUCTURES AS SHOWN ARE BASED ON THE BEST INFORMATION AVAILABLE. BUT NO GUARANTEE IS GIVEN THAT ALL EXISTING UTILITIES ARE SHOWN OR THAT THE GIVEN LOCATIONS ARE EXACT. CONFIRMATION OF EXISTENCE AND EXACT LOCATION OF ALL SERVICES MUST BE OBTAINED FROM THE INDIVIDUAL UTILITIES BEFORE PROCEEDING WITH CONSTRUCTION.

NO.	ISSUED FOR CONSTRUCTION	REVISIONS	DATE	BY
0	ISSUED FOR CONSTRUCTION		09/07/06	KMB

DESIGNED BY	APPROVED BY	CHECKED BY	DATE
GEB	KMB	FMI	July 7, 2009

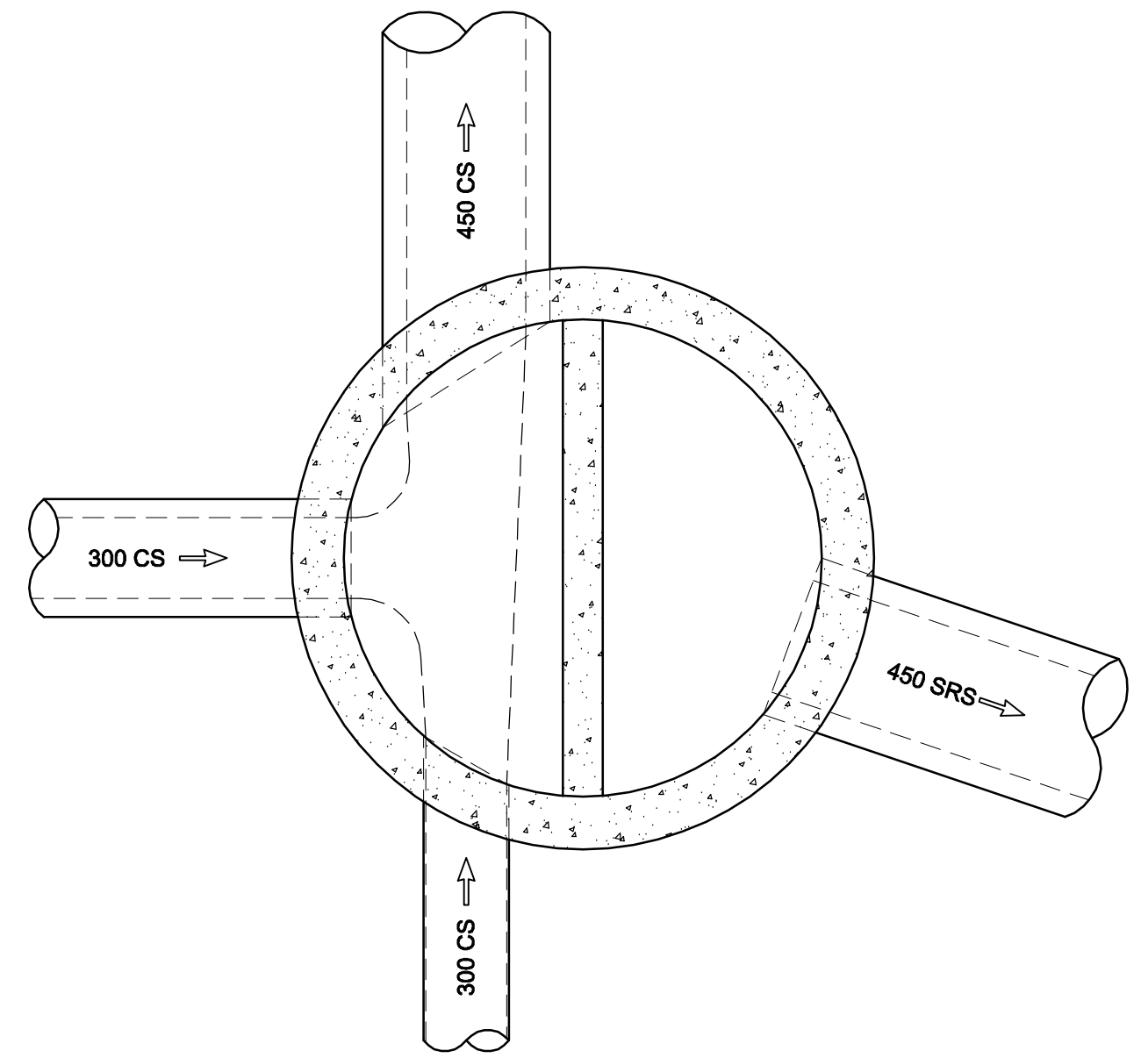
AECOM
DESIGNED BY: GEB
DRAWN BY: KMB
HOR. SCALE: 1:250
VERT. SCALE: 1:50
DATE: July 7, 2009

PROFESSIONAL'S SEAL
ISSUE / REVISION 0
ISSUED FOR CONSTRUCTION
WAS SEALED BY
A. NAGY
AND DATED
July 7, 2009
CONSULTANT DRAWING NO.
D265-177-05_01-C-1007_RX.dwg

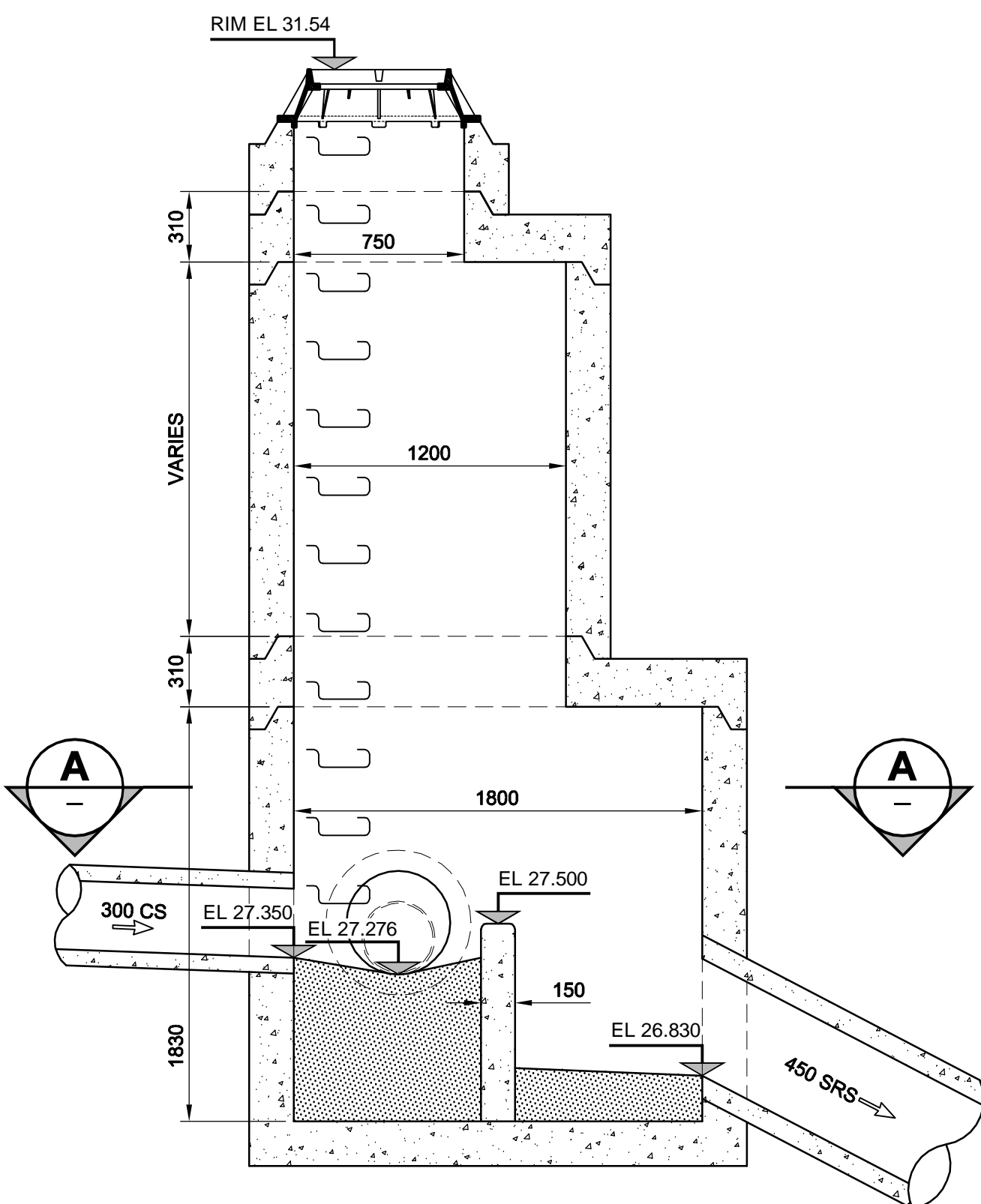
THE CITY OF WINNIPEG
WATER AND WASTE DEPARTMENT
ALEXANDER/BANNATYNE
COMBINED SEWER RELIEF
CONTRACT 5
KING STREET
MATCHLINE 1+460
TO HIGGINS AVENUE

SHEET 7 OF 20
CITY DRAWING NUMBER
LD-5409
REV 0

BID OPPORTUNITY NO. 499-2009



SECTION A
SCALE 1:25



MANHOLE 12 OVERFLOW DETAIL
SCALE 1:25
TYPICAL MANHOLE REQUIREMENTS AS PER SD-010

- CONSTRUCTION NOTES:**
- FOR DETAILED TEST HOLE INFORMATION, SEE SPECIFICATION.
 - THE LOCATION OF ALL SERVICES IS TO BE CONFIRMED IN THE FIELD.
 - INSTALL NEW SEWERS AND CATCHBASIN LEADS BY TRENCHLESS METHODS WHEREVER POSSIBLE.
 - RENEW/REHABILITATE CATCHBASINS & RENEW CATCHBASIN LEADS WHERE NOTED.