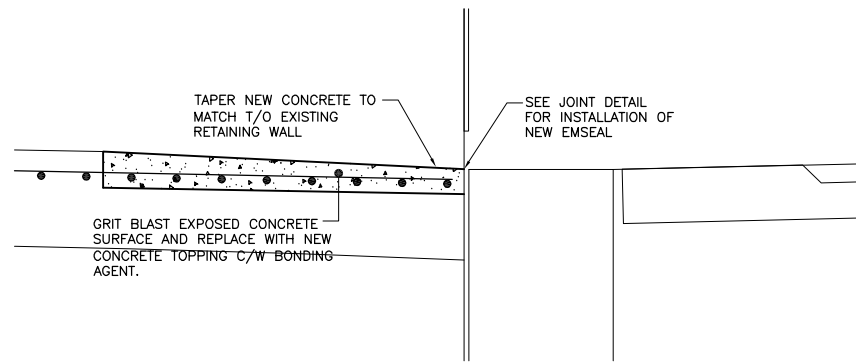
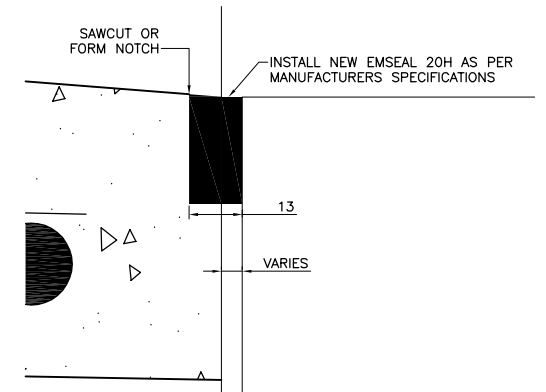


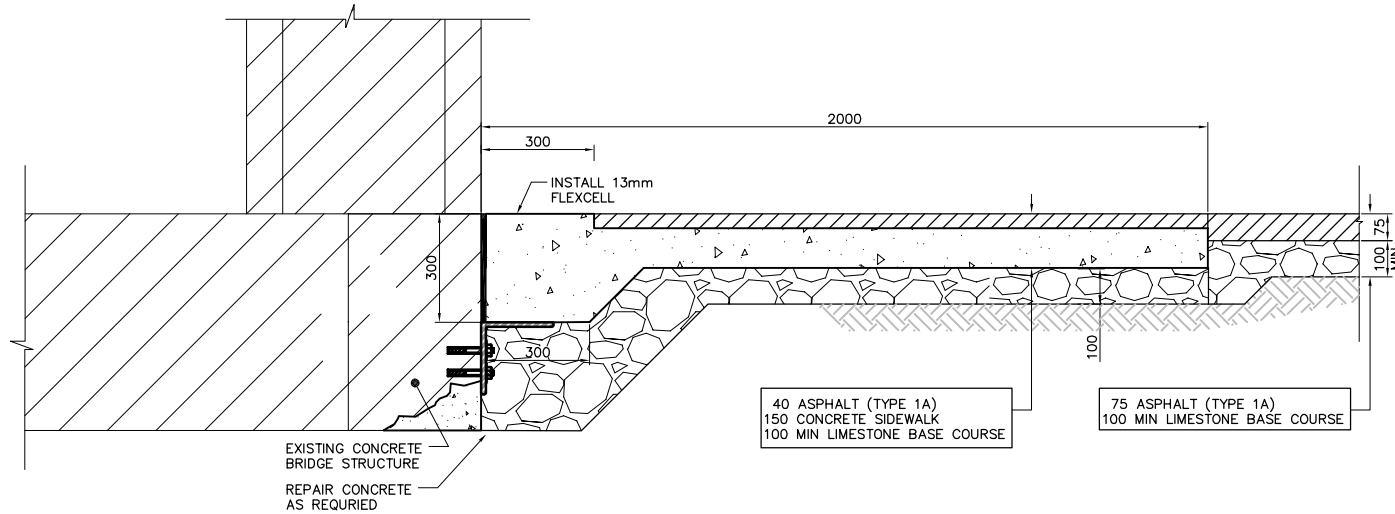
NORTH APPROACH SLAB REMOVALS
SCALE: 1:10



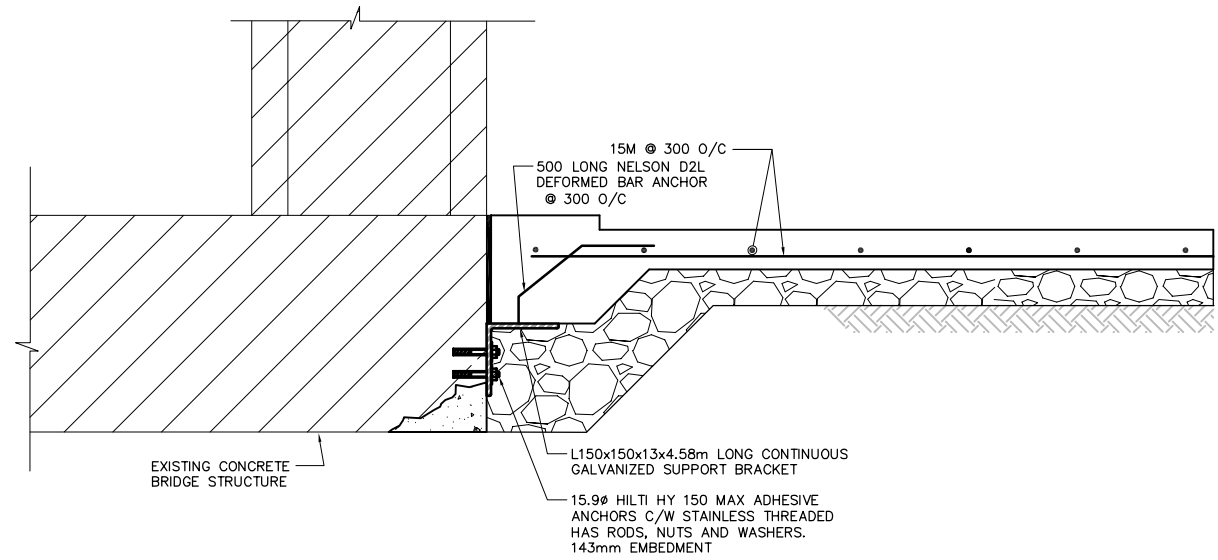
NORTH APPROACH SLAB REPAIR
SCALE: 1:10



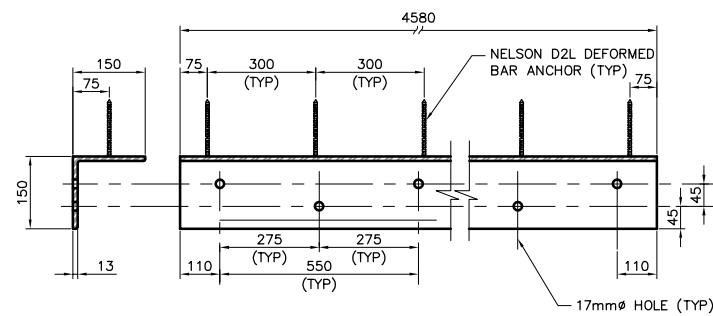
NORTH APPROACH SLAB JOINT DETAIL
SCALE: NTS



SOUTH APPROACH SLAB DETAIL
SCALE: 1:10



SOUTH APPROACH SLAB REINFORCING DETAIL
SCALE: 1:10



GALVANIZED SUPPORT BRACKET DETAIL
SCALE: 1:10



B.M. ELEV.	DESIGNED BY DDW		
	DRAWN BY DDW		
	CHECKED BY JSB		
	APPROVED BY		
	HOR. SCALE AS NOTED	RELEASED FOR CONSTRUCTION	
	VERTICAL AS NOTED	ORIGINAL SIGNED BY B.A. NEIRINCK	
0 ISSUED FOR TENDER	07/29/09 JSB	DATE JULY 29, 2009	CONSULTANT PROJECT NO. 091645
NO. REVISIONS	DATE BY	DATE	

2009 BRIDGE MAINTENANCE ASSINIBOINE PARK PEDESTRIAN BRIDGE OVER ASSINIBOINE RIVER	
CITY DRAWING NUMBER B129-09-03	SHEET 4 OF 6
NORTH AND SOUTH APPROACH SLAB ASPHALT AND CONCRETE REPAIR DETAILS	
BID OPPORTUNITY 506-2009	