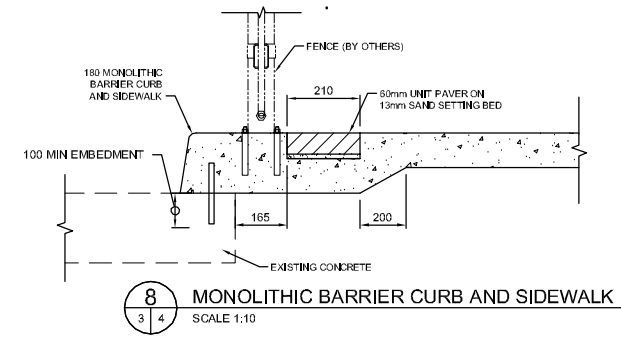
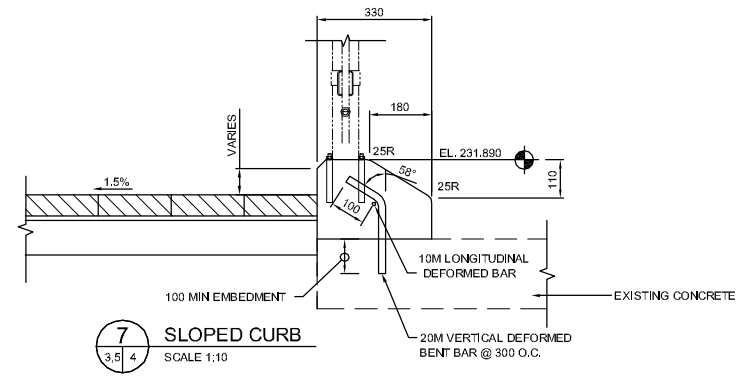
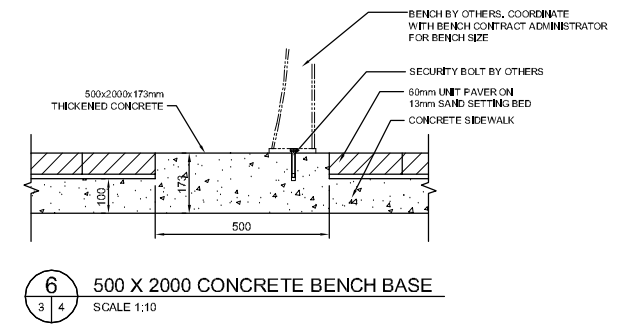


- NOTES**
- 1) SIDEWALK RAMP SURFACE SHALL BE AS INDICATED ON PLANDRAWINGS
 - 2) 15M TIE BARS SHALL BE PLACED PRIOR TO THE PLACING OF ANY CONCRETE SIDEWALK TIE BARS SHALL BE BENT AS REQUIRED AND PLACED SO AS TO ENSURE A MINIMUM CONCRETE COVER OF 40MM
 - 3) 15M TIE BARS SHALL BE DEFORMED AND CONFORM TO CSA STANDARD G30.12 GRADE 300 UNLESS THE BARS ARE TO BE BENT AND LATER STRAIGHTENED IN THE FIELD, IN WHICH CASE THEY SHALL CONFORM TO ASTM A307 GRADE A BOLT STEEL (227.53 MPa YIELD STRESS)
 - 4) MAXIMUM SLOPE OF FLARED SIDES SHALL BE 1:10 REFER TO CSA B651, ARTICLE 4.4.4.2



150 mm W.M.	WATER MAIN	150 mm W.M.	HYDRO	150 mm W.M.	WATERMAIN	150 mm W.M.
○	HYDRANT VALVE	●	M.T.S. CONCRETE	○	HYDRANT VALVE	+
○	LAND DRAINAGE SEWER	○	ASPHALT	○	LAND DRAINAGE SEWER	○
○	WASTE WATER SEWER	○	PLANING SIDEWALK	○	WASTE WATER SEWER	○
○	MANHOLE	○	PAVING STONES	○	Q PROFILE	○
○	CATCH BASIN	○	PARTIAL DEPTH REPAIR	○	NORTH/WEST GUTTER	○
○	CURB INLET	○	PROPERTY LINE	○	SOUTH/EAST GUTTER	○
○	JUNCTIONS	○	SURVEY BAR	○	NORTH/WEST T/LANE	○
○	CULVERT	○	PARAPLEGIC RAMP	○	SOUTH/EAST T/LANE	○
○	GAS	○		○		○
○	EXISTING	○	PROPOSED	○	EXISTING	○

UNDERGROUND STRUCTURES SUPV. U/G STRUCTURES COMMITTEE DATE		B.M. ELEV. CPT2 (N: 5528182.293 E: 632680.972) 231.667		DESIGNED BY MRD DRAWN BY TJH CHECKED BY DBW APPROVED BY				ENGINEER'S SEAL PROVINCE OF MANITOBA M.R. DOUCET 075109 Member 22308 REGISTERED PROFESSIONAL ENGINEER			
NOTE: LOCATION OF UNDERGROUND STRUCTURES AS SHOWN ARE BASED ON THE BEST INFORMATION AVAILABLE BUT NO GUARANTEE IS GIVEN THAT ALL EXISTING UTILITIES ARE SHOWN OR THAT THE GIVEN LOCATIONS ARE EXACT. CONFIRMATION OF EXISTENCE AND EXACT LOCATION OF ALL SERVICES MUST BE OBTAINED FROM THE INDIVIDUAL UTILITIES BEFORE PROCEEDING WITH CONSTRUCTION.		2 ISSUED FOR TENDER 07-31-09 MRD 1 ISSUED FOR REVIEW 07-15-09 MRD		HOR. SCALE AS NOTED VERTICAL AS NOTED		RELEASED FOR CONSTRUCTION DATE		CONSULTANT PROJECT NO. 091918		CITY DRAWING NUMBER P-3313-04 SHEET 04 OF 10 BALMORAL TRANSIT TERMINAL SECTIONS AND DETAILS - 1 BID OPPORTUNITY NUMBER 540-2009	