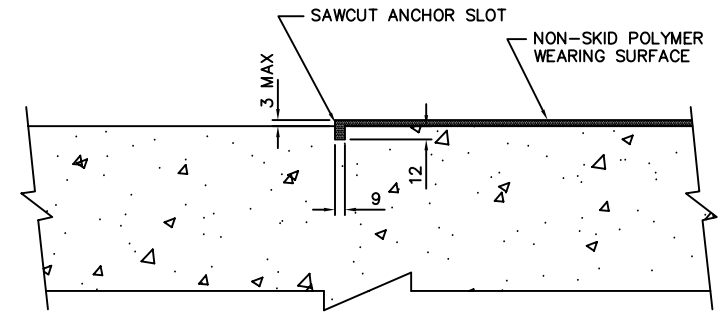


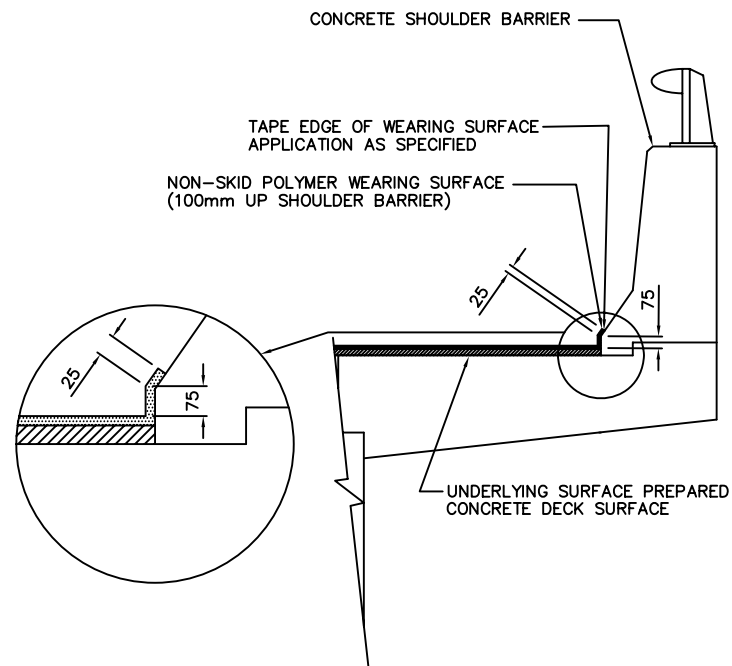
**DECK REPAIR DETAILS**

N.T.S.



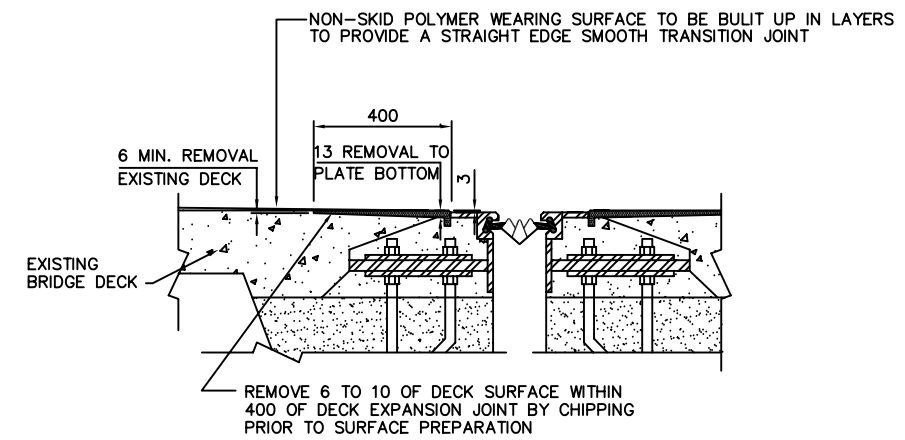
**TYPICAL ANCHOR DETAIL**

N.T.S.



**TRAFFIC BARRIER DETAIL (TYPICAL)**

N.T.S.



**EXPANSION JOINT DETAIL (TYPICAL)**

N.T.S.

**METRIC**  
WHOLE NUMBERS INDICATE MILLIMETRES  
DECIMALIZED NUMBERS INDICATE METRES

NOTE:	B.M. ELEV.	DESIGNED BY: B.A.N.		<b>CITY OF WINNIPEG</b> PUBLIC WORKS DEPARTMENT ENGINEERING DIVISION	SHEET 1 OF 1			
		DRAWN BY: M.R.T.				MISCELLANEOUS DECK SEALING & CONCRETE REPAIRS		
		CHECKED BY: B.A.N.					WEARING SURFACE DETAILS (TYPICAL)	
		APPROVED BY: B.A.N.						CITY DRAWING NUMBER: BXXX-09-01
		AUTHORIZED BY:						
	NO. REVISION	DATE	BY	B.A. NEIRINCK BRIDGE PLANNING & OPERATIONS ENGINEER	BID OPPORTUNITY NO.: 549-2009			