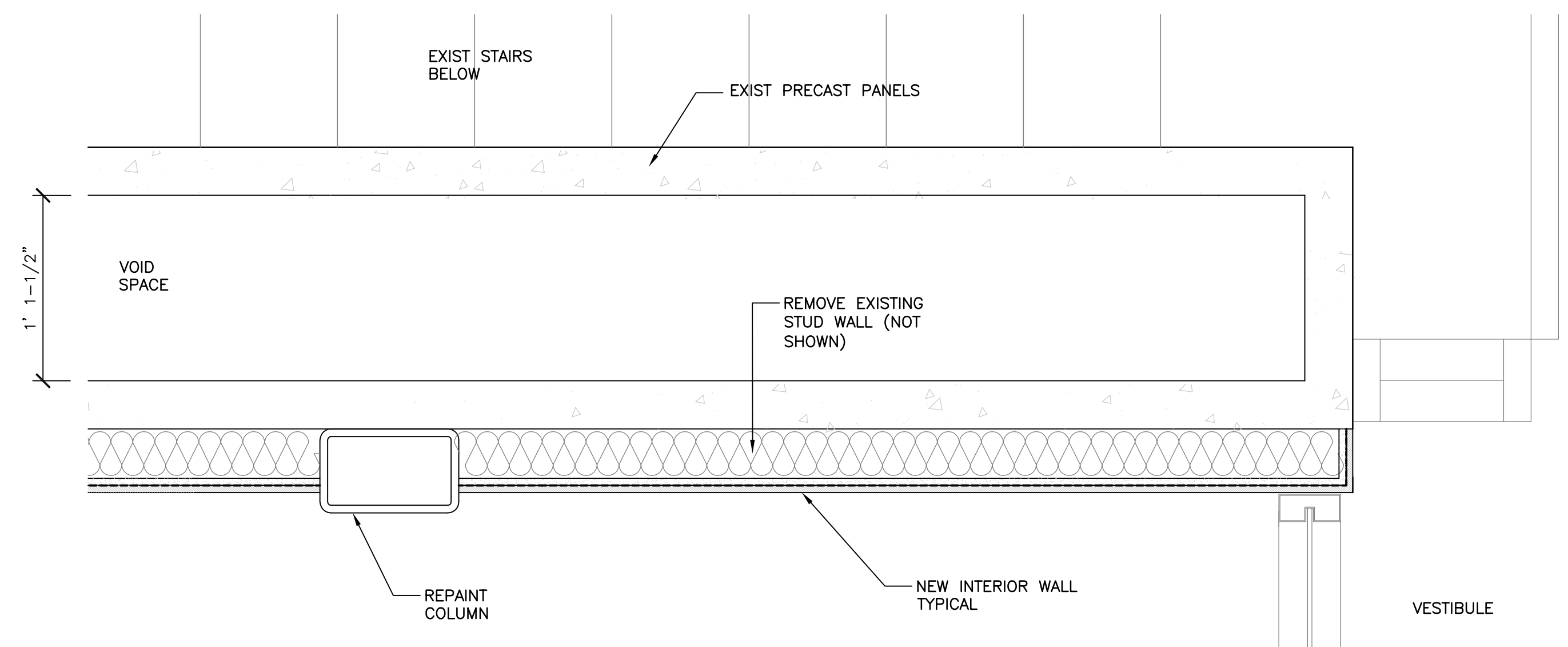
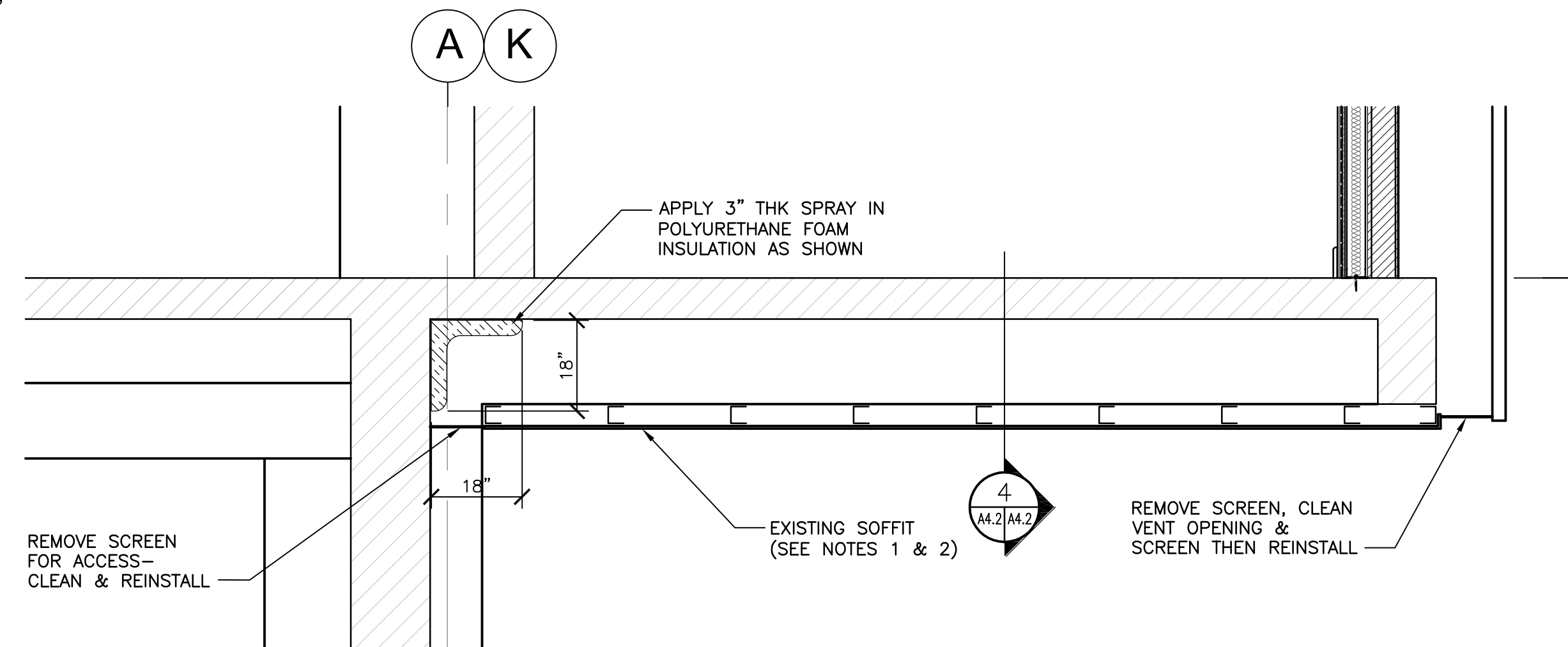


- NOTES:
1. NORTH SOFFIT: CARE MUST BE TAKEN TO AVOID DAMAGE OR DISPLACEMENT TO EXISTING ELECTRICAL CONDUIT.
 2. SOUTH SOFFIT: CARE MUST BE TAKEN TO AVOID DAMAGE OR DISPLACEMENT TO EXISTING GAS LINE.

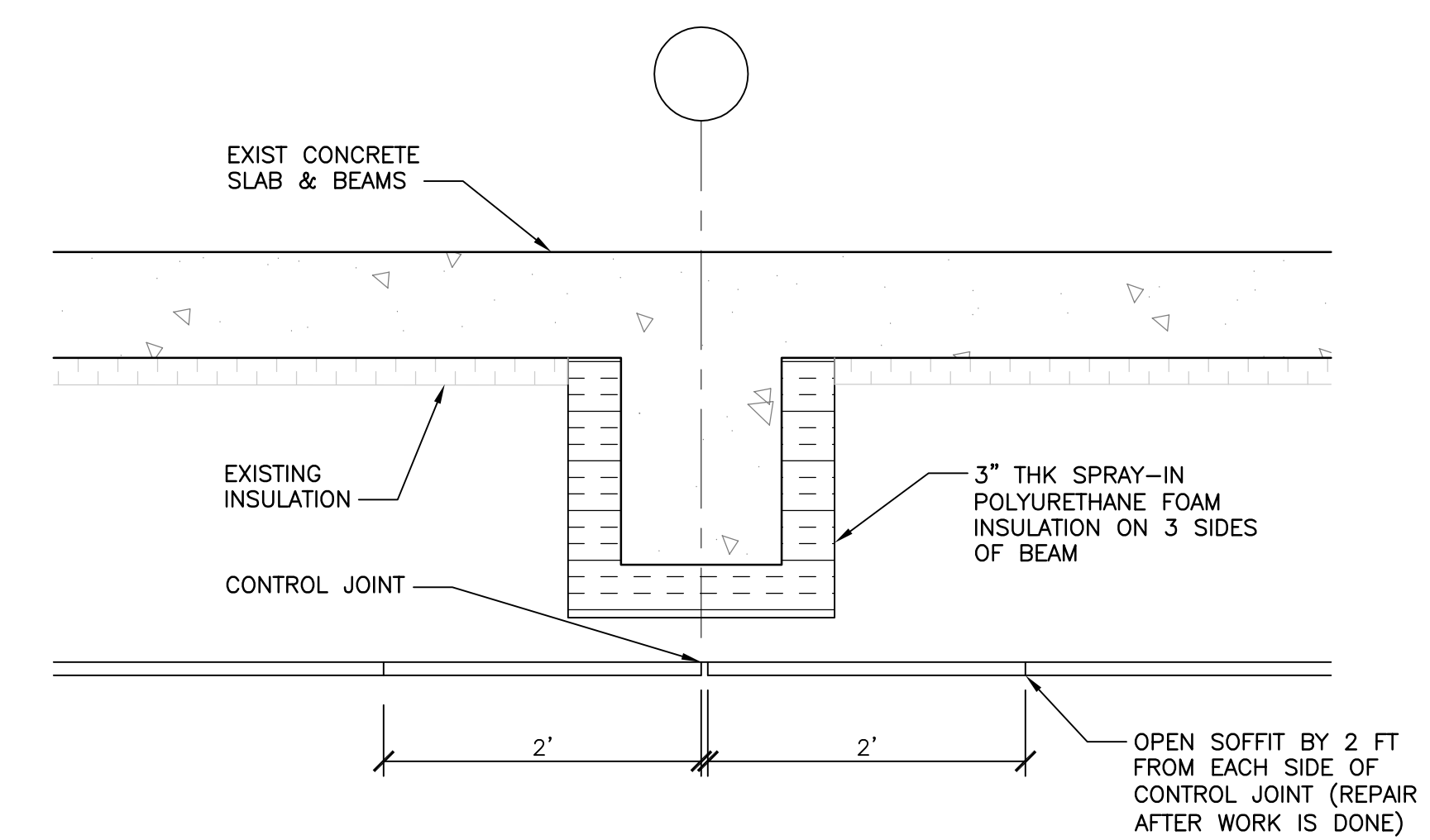
1 NW VESTIBULE INSULATION DETAIL
SCALE: 1 1/2"=1'-0"



2 NE VESTIBULE WALL DETAIL
SCALE: 1 1/2"=1'-0"



3 NORTH & SOUTH CANOPY
SCALE: 1/2"=1'-0"



4 BEAM INSULATION DETAIL (TYP)
SCALE: 1"=1'-0"

NO	ISSUED FOR TENDER	09-07-10	AL
REV	DESCRIPTION	DATE	BY



THIS DRAWING MUST NOT BE SCALED.
THE GENERAL CONTRACTOR SHALL VERIFY ALL DIMENSIONS, DATUMS AND LEVELS PRIOR TO COMMENCEMENT OF WORK AND IS HELD RESPONSIBLE FOR REPORTING ANY DISCREPANCY OR OMISSION TO NEIL COOPER ARCHITECT INC. IMMEDIATELY.
THIS DRAWING IS THE EXCLUSIVE PROPERTY OF NEIL COOPER ARCHITECT INC. AND CAN BE REPRODUCED ONLY WITH THE PERMISSION OF NEIL COOPER ARCHITECT INC. IN WHICH CASE THE REPRODUCTION MUST BEAR THEIR NAME AS THE ARCHITECTURAL FIRM.

DRAWING:
NORTH WALL DETAILS

PROJECT:
**PAN AM POOL
BLDG ENVELOPE RETROFIT
PHASE 1**
25 Poseidon Bay, Winnipeg, Manitoba

Neil Cooper Architect Inc.
10-395 Berry Street, Winnipeg, Manitoba R3J 1N6

Tuplin Group Inc.
Unit L 301 Weston Street, Winnipeg, Manitoba R3E 3H4

DRAWN BY: AG/AL	CHECKED BY: NC	SHEET NO.:	REV NO.:
DATE: JUNE 22, 2009	A4.2R-0		
SCALE: As Noted			

FILE: 08062\PAN AM POOL\ CONT DOC.\ CONT. DWGS.\PHASE 1\A4.1