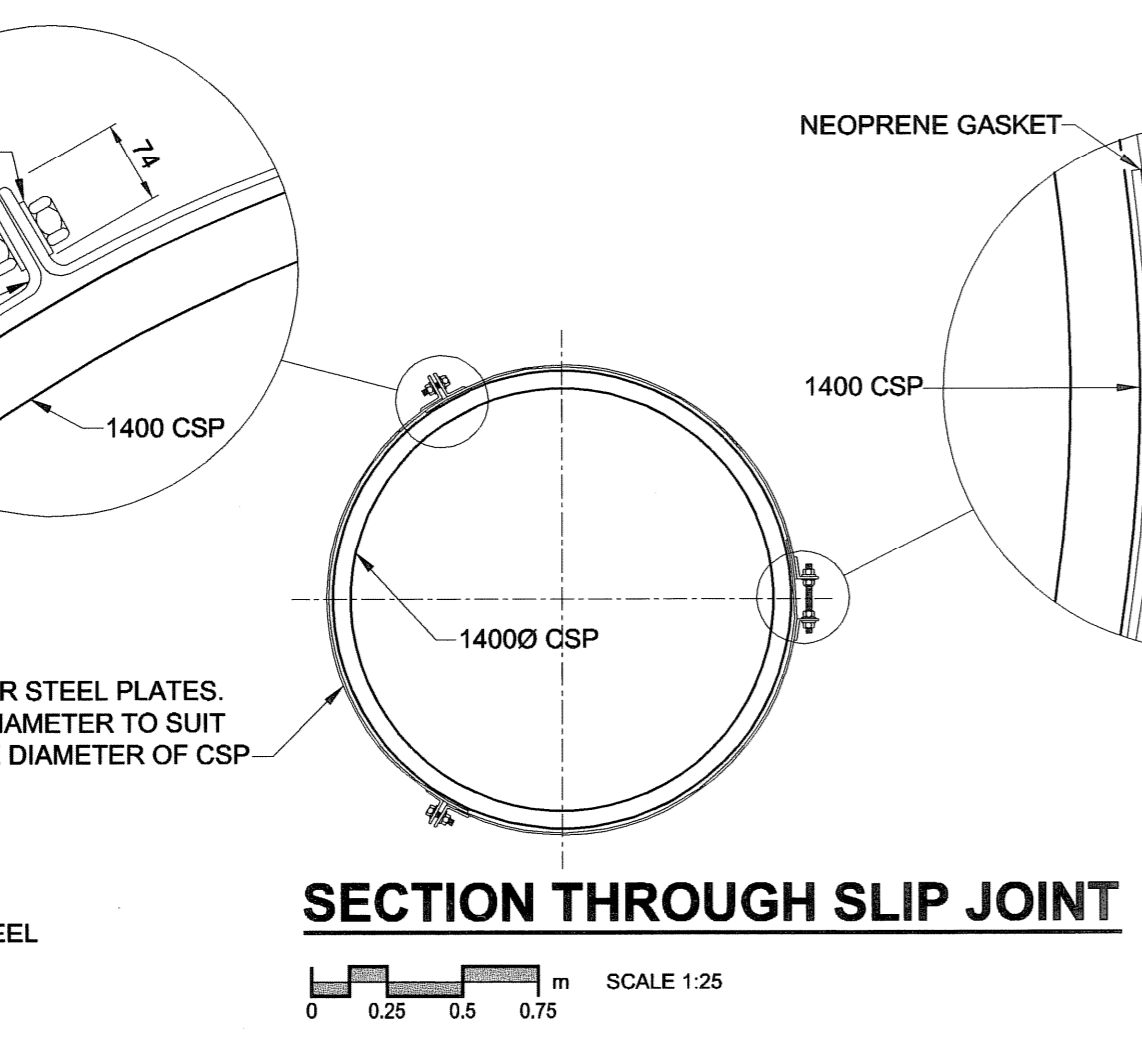


DITCH INLET STRUCTURE & MANHOLE

SCALE 1:50 AT HOWE DITCH



LOCATION APPROVED UNDERGROUND STRUCTURES

SUPR. U/G STRUCTURES	DATE

NOTE:
 LOCATION OF UNDERGROUND STRUCTURES AS SHOWN ARE BASED ON THE BEST INFORMATION AVAILABLE. BUT NO GUARANTEE IS GIVEN THAT ALL EXISTING UTILITIES ARE SHOWN OR THAT THE GIVEN LOCATIONS ARE EXACT. CONFIRMATION OF EXISTENCE AND EXACT LOCATION OF ALL SERVICES MUST BE OBTAINED FROM THE INDIVIDUAL UTILITIES BEFORE PROCEEDING WITH CONSTRUCTION.

NO.	REVISIONS	YYMMDD	BY
0	ISSUED FOR CONSTRUCTION	09/01/28	KMB

AECOM

DESIGNED BY	DME	CHECKED BY	<i>[Signature]</i>
DRAWN BY	KMB	APPROVED BY	<i>[Signature]</i>
HOR. SCALE	AS NOTED	RELEASED FOR CONSTRUCTION	<i>[Signature]</i>
VERT. SCALE	AS NOTED		
DATE	09/01/28	DATE	09/01/28

APEGM
 Certificate of Authorization
 AECOM Canada Ltd.
 No. 4671 Date: 09/01/28

PROFESSIONAL'S SEAL
 PROVINCE OF MANITOBA
 E. BLAZEK
 Member
 24710
 09/01/28
 REGISTERED PROFESSIONAL ENGINEER
 CONSULTANT DRAWING NO.
 D285-239-01_01-C-4001_RX.dwg

THE CITY OF WINNIPEG WATER AND WASTE DEPARTMENT

2009 CULVERT & DRAINAGE INLET SAFETY ASSINBOINE PARK, HOWE DITCH AND McLEOD CREEK

DETAILS & SECTIONS

SHEET 4 OF 4
 CITY DRAWING NUMBER
 LD-5274

BID OPPORTUNITY NO. 56-2009

NOTES:

1. ALL MISC METALS SHALL BE GALVANIZED STEEL UNLESS NOTED OTHERWISE