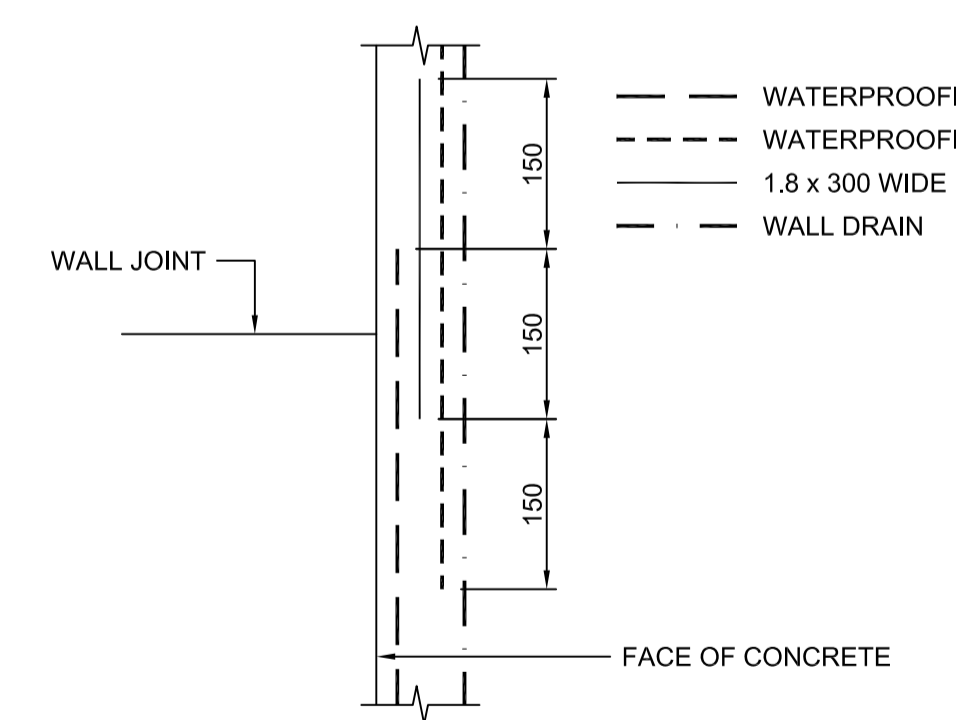
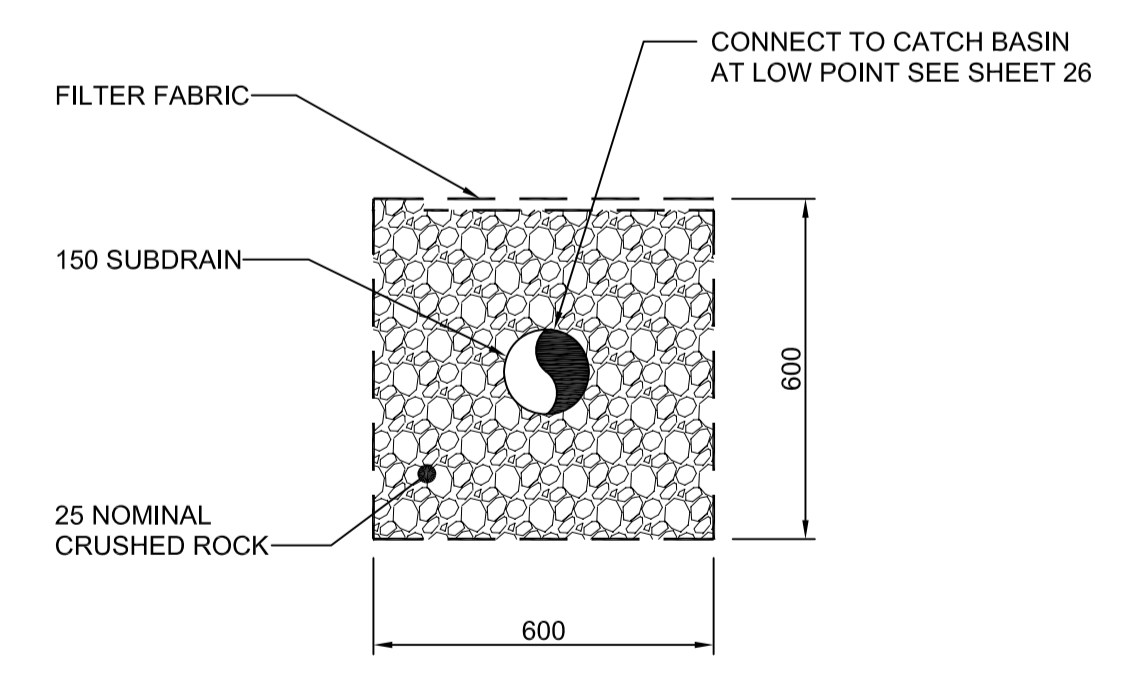


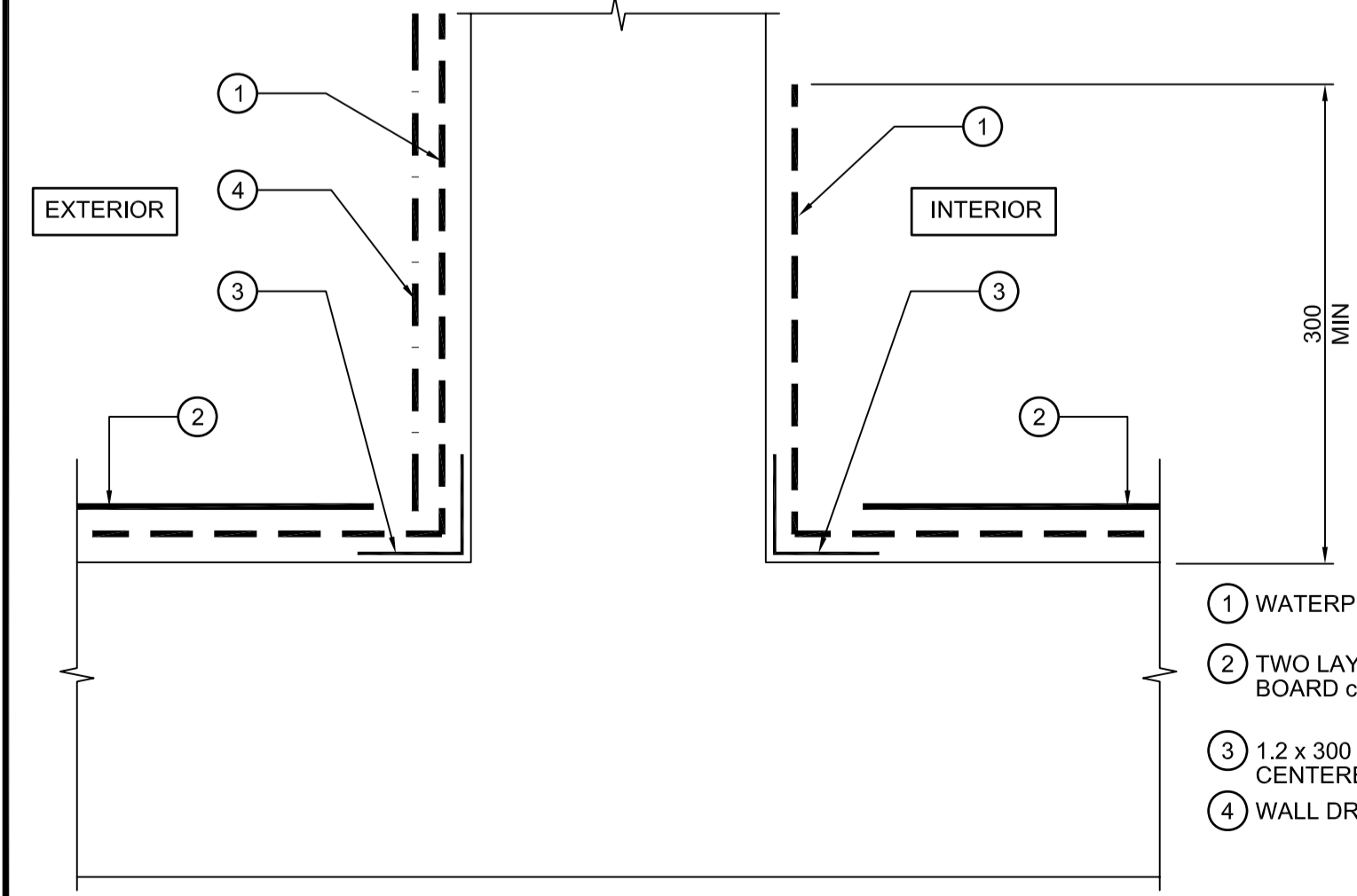
TYPICAL INTERIOR TUNNEL SECTION
SCALE 1:40



MEMBRANE SPLICE DETAIL
SCALE 1:20



TYPICAL SUBDRAIN DETAIL
SCALE N.T.S.

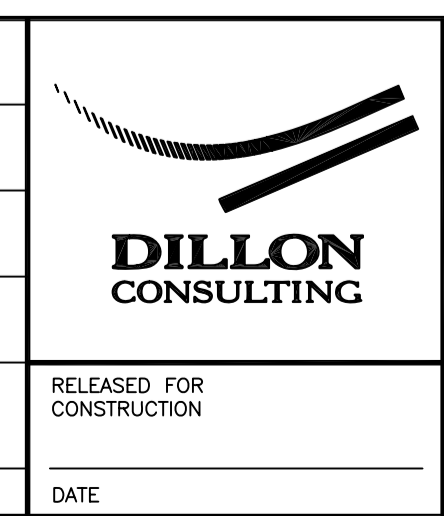


TYPICAL WATERPROOFING MEMBRANE DETAILS
SCALE N.T.S.

APEGM
Certificate of Authorization
Dillon Consulting Limited (MB)
No. 1789 Date: OCTOBER 13, 2009

LOCATION UNDERGROUND	APPROVED STRUCTURES	B.M. ELEV.	DESIGNED BY	KGW
SUPV. U/G STRUCTURES COMMITTEE	DATE		DRAWN BY	RCB
NOTE:			CHECKED BY	KGW
LOCATION OF UNDERGROUND STRUCTURES AS SHOWN ARE BASED ON THE BEST INFORMATION AVAILABLE. BUT NO GUARANTEE IS GIVEN THAT ALL EXISTING UTILITIES ARE SHOWN OR THAT THE GIVEN LOCATIONS ARE EXACT. CONFIRMATION OF EXISTENCE AND EXACT LOCATION OF ALL SERVICES MUST BE OBTAINED FROM THE INDIVIDUAL UTILITIES BEFORE PROCEEDING WITH CONSTRUCTION.			APPROVED BY	DPK
1	ISSUED WITH ADDENDUM #4	11/04/2009	R/CB	
0	ISSUED FOR TENDER	10/13/2009	R/CB	
NO.	REVISIONS	DATE	BY	DATE
				2009/06/24

RELEASING AGENCY	PROVINCE OF MANITOBA
REGISTERED PROFESSIONAL ENGINEER	
ORIGINAL SIGNED BY:	K. G. WILLIS
	10.13.2009
CONSULTANT PROJECT NO.	088813



THE CITY OF WINNIPEG
TRANSIT DEPARTMENT

SOUTHWEST RAPID TRANSIT CORRIDOR - STAGE 1 TRANSITWAY TUNNEL AT CN RIVERS SUBDIVISION MILEAGE 1.38 & ASSOCIATED WORKS		CITY DRAWING NUMBER U237-09-07
TYPICAL TUNNEL SECTION		SHEET 07 OF 73
		CONSULTANT DRAWING NUMBER C4-G106-T

G:\csc\088813\Contract\Contract 1\Current\C4-G106-P.dwg