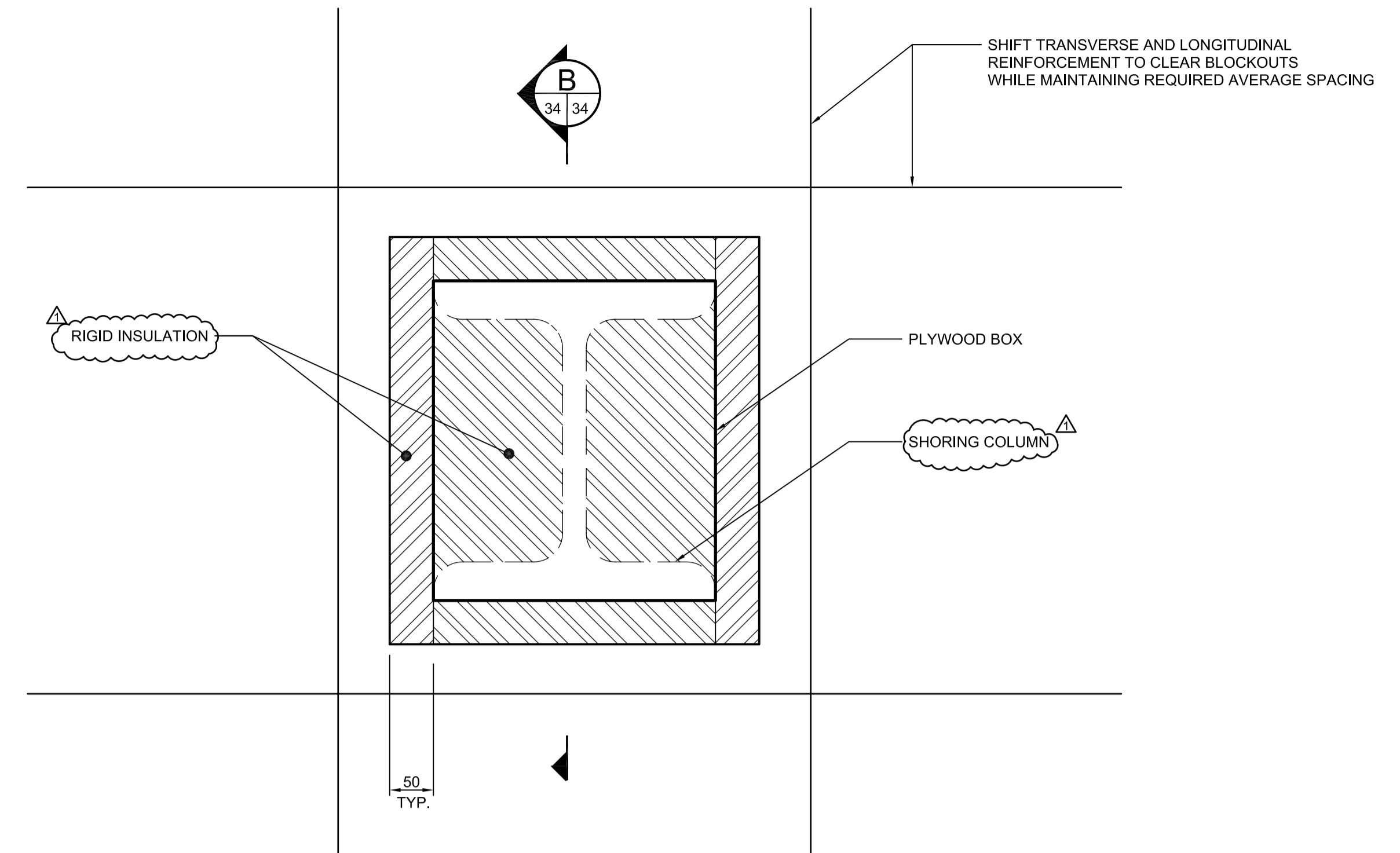
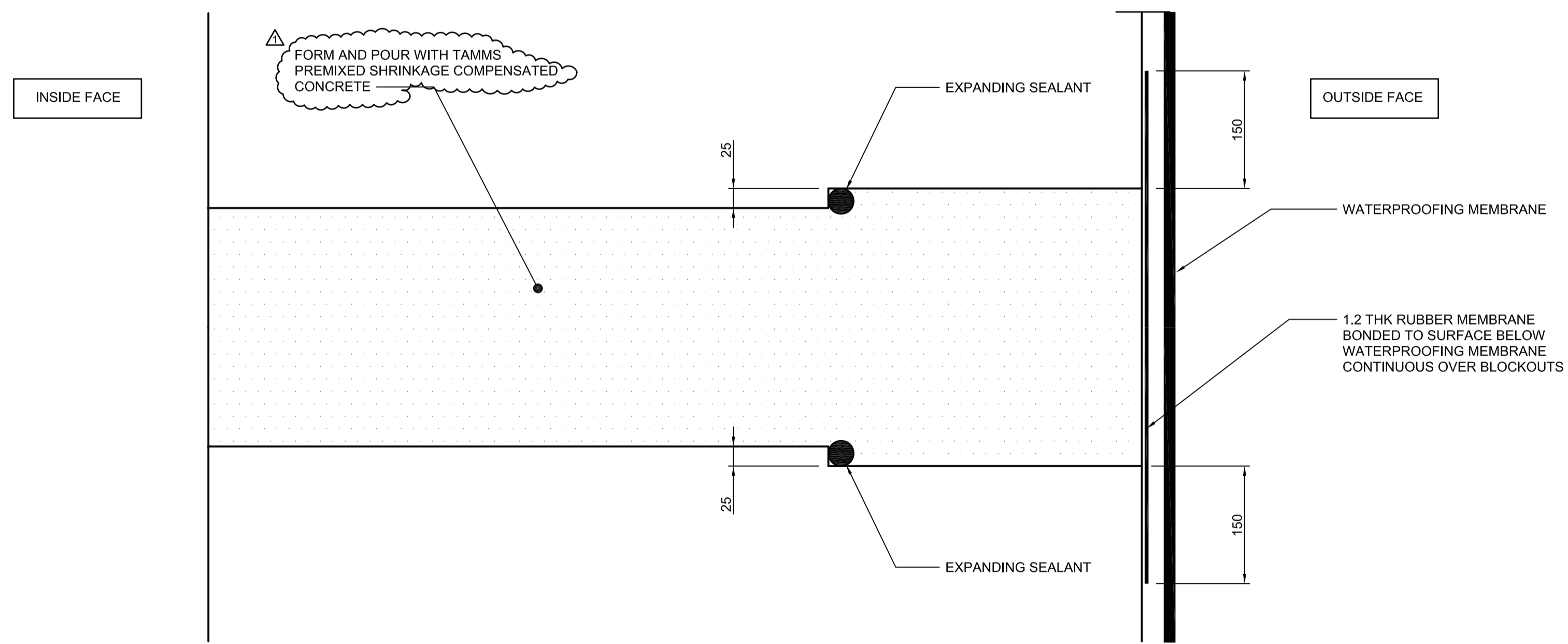


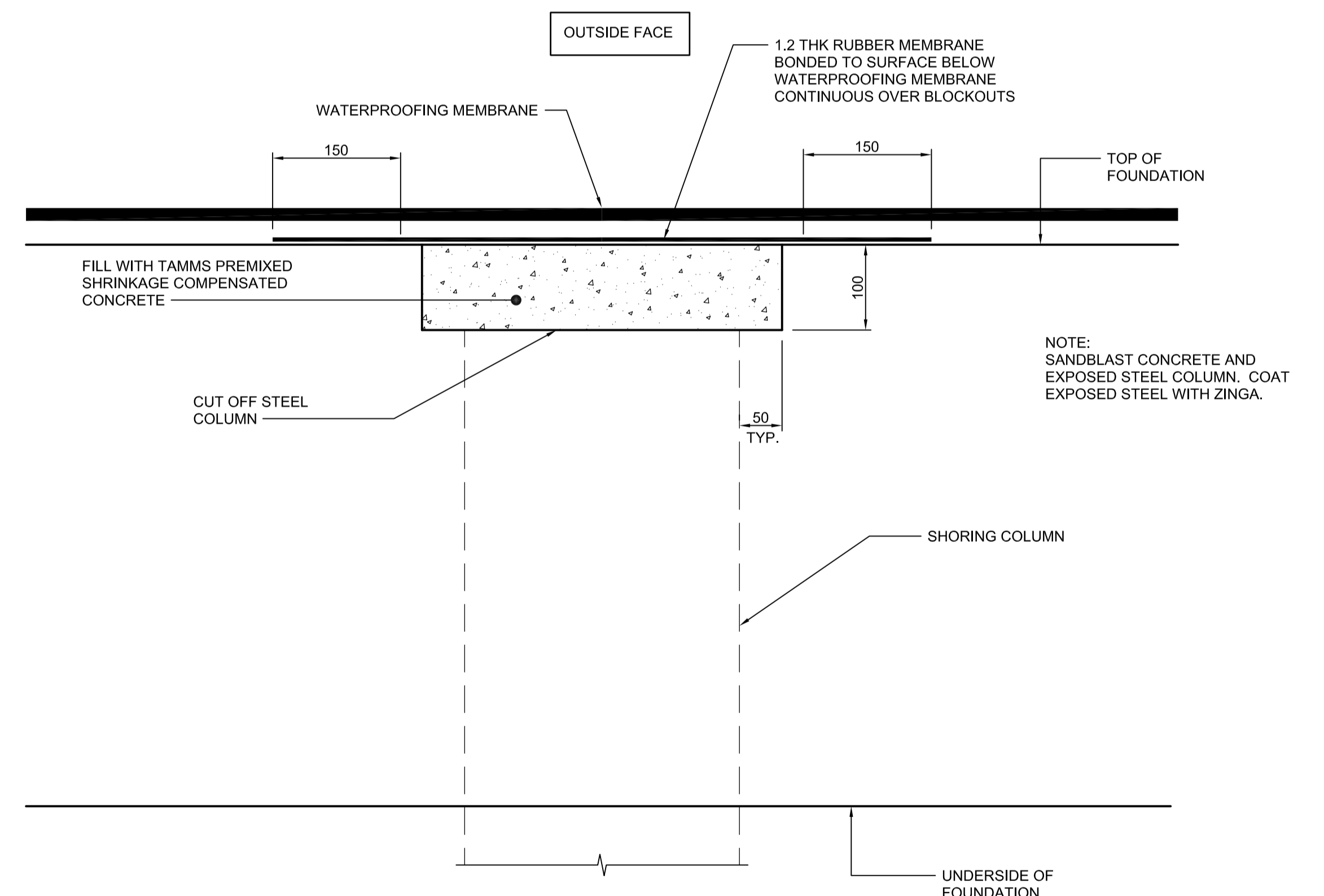
WALL BLOCKOUT ELEVATION
SCALE 1:5



FOUNDATION BLOCKOUT PLAN
SCALE 1:5



WALL BLOCKOUT SECTION A
SCALE 1:5



FOUNDATION BLOCKOUT SECTION B
SCALE 1:5

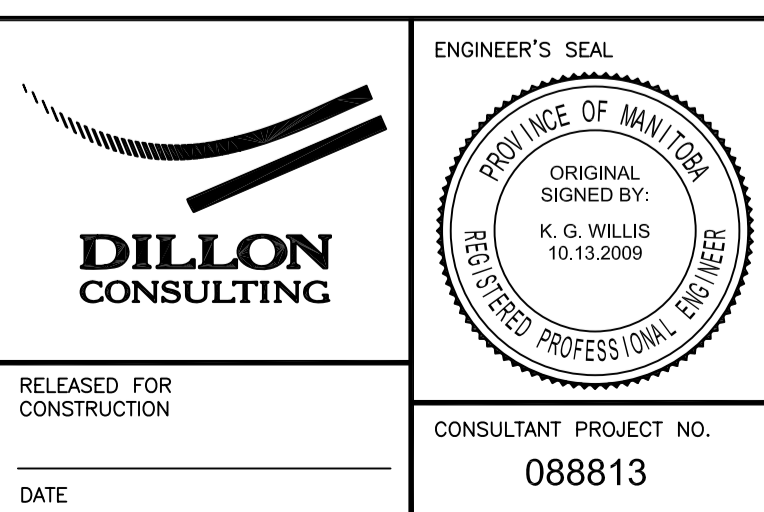
G:\csm\088813\Contract\Contract_1\Current\C4-S1111-P.dwg



LOCATION UNDERGROUND	APPROVED STRUCTURES	B.M. ELEV.	DESIGNED BY	KGW
SUPV. U/G STRUCTURES COMMITTEE	DATE		DRAWN BY	RCB
NOTE:			CHECKED BY	KGW
LOCATION OF UNDERGROUND STRUCTURES AS SHOWN ARE BASED ON THE BEST INFORMATION AVAILABLE BUT NO GUARANTEE IS GIVEN THAT ALL EXISTING UTILITIES ARE SHOWN OR THAT THE GIVEN LOCATIONS ARE EXACT. CONFIRMATION OF EXISTENCE AND EXACT LOCATION OF ALL SERVICES MUST BE OBTAINED FROM THE INDIVIDUAL UTILITIES BEFORE PROCEEDING WITH CONSTRUCTION.			APPROVED BY	DPK
1	ISSUED WITH ADDENDUM #4	11/04/2009	HOR. SCALE	AS SHOWN
0	ISSUED FOR TENDER	10/13/2009	VERTICAL	AS SHOWN
NO.	REVISIONS	DATE	BY	DATE
				2009/06/24

RELEASED FOR CONSTRUCTION	DATE	2009/06/24
---------------------------	------	------------

ENGINEER'S SEAL	PROVINCE OF MANITOBA
ORIGINAL SIGNED BY:	K. G. WILLIS
REGISTERED PROFESSIONAL ENGINEER	10-13-2009
CONSULTANT PROJECT NO.	088813



THE CITY OF WINNIPEG TRANSIT DEPARTMENT

Winnipeg

SOUTHWEST RAPID TRANSIT CORRIDOR - STAGE 1
TRANSITWAY TUNNEL AT CN RIVERS SUBDIVISION
MILEAGE 1.38 & ASSOCIATED WORKS

CITY DRAWING NUMBER: U237-09-34
SHEET 34 OF 73
CONSULTANT DRAWING NUMBER: C4-S1111-T

SHORING BLOCKOUT DETAILS