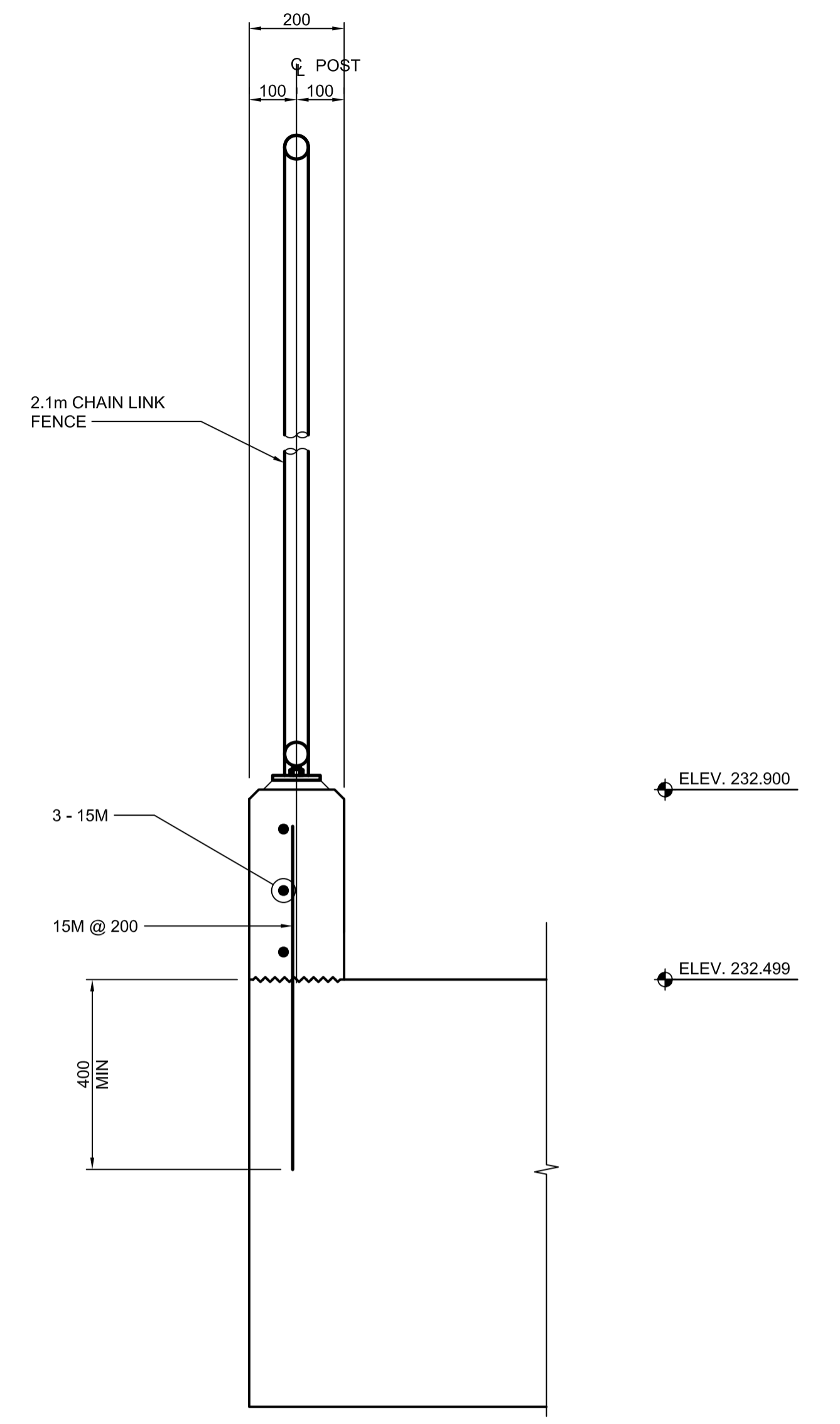
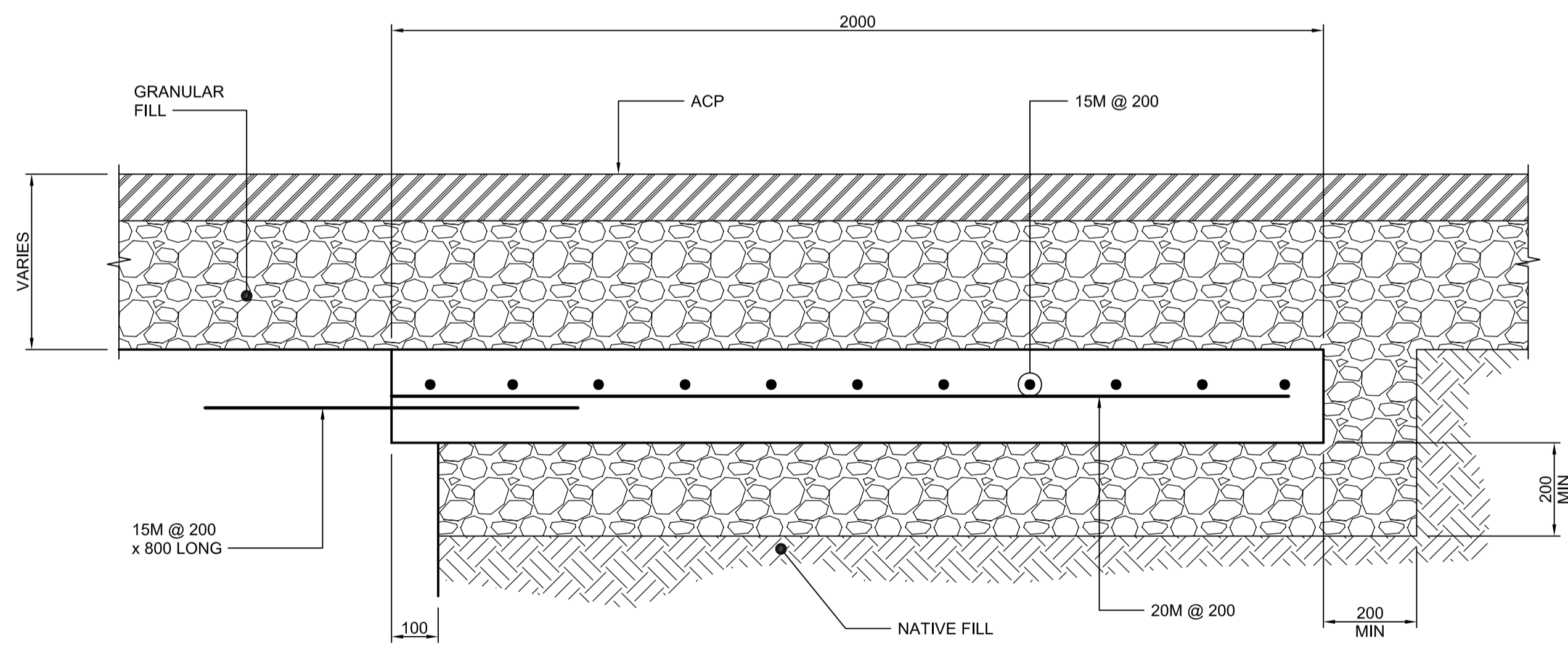


\* FIELD LOCATE TO SUIT EXISTING LIGHTING

**SOUTH PORTAL AREA**  
SCALE 1:100

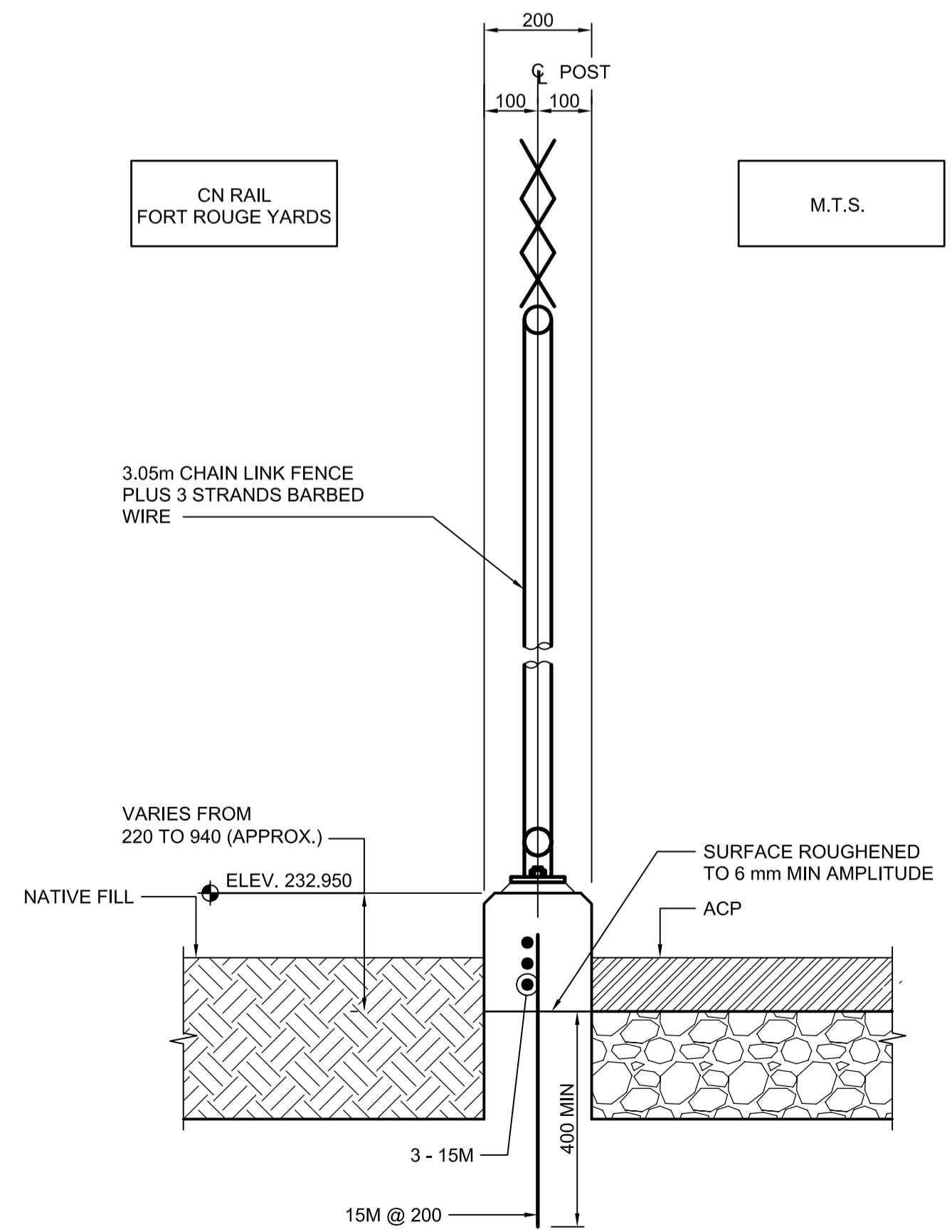


**SECTION A**  
SCALE 1:10



**SECTION C**  
SCALE 1:10

NOTE:  
PLACE SLAB IN SEPARATE  
SEGMENTS 2 - 3 m IN LENGTH  
(TOTAL LENGTH ~ 42 m)



**SECTION B**  
SCALE 1:10

**APEGM**  
Certificate of Authorization  
**Dillon Consulting Limited (MB)**  
No. 1789 Date: OCTOBER 13, 2009

LOCATION UNDERGROUND	APPROVED STRUCTURES	B.M. ELEV.	DESIGNED BY	ENGINEER'S SEAL
SUPPLY U/G STRUCTURES COMMITTEE	DATE		KGW	
			RCB	
			KGW	
			DPK	
			HOR. SCALE AS SHOWN	
			VERTICAL AS SHOWN	
			DATE 2009/06/24	RELEASED FOR CONSTRUCTION

NO.	REVISIONS	DATE	BY
1	ISSUED WITH ADDENDUM #4	11/04/2009	RCB
0	ISSUED FOR TENDER	10/13/2009	RCB

CONSULTANT PROJECT NO.	CITY DRAWING NUMBER
088813	U237-09-41

CONSULTANT PROJECT NO.	CITY DRAWING NUMBER
088813	U237-09-41

THE CITY OF WINNIPEG TRANSIT DEPARTMENT	
SOUTHWEST RAPID TRANSIT CORRIDOR - STAGE 1 TRANSITWAY TUNNEL AT CN RIVERS SUBDIVISION MILEAGE 1.38 & ASSOCIATED WORKS	
SOUTH PORTAL AREA DETAILS	
CITY DRAWING NUMBER	CONSULTANT DRAWING NUMBER
U237-09-41	C4-S1118-T
SHEET 41	OF 73

G:\cadd\088813\Contract\Contract\_1\Current\C4-S1118-P.dwg