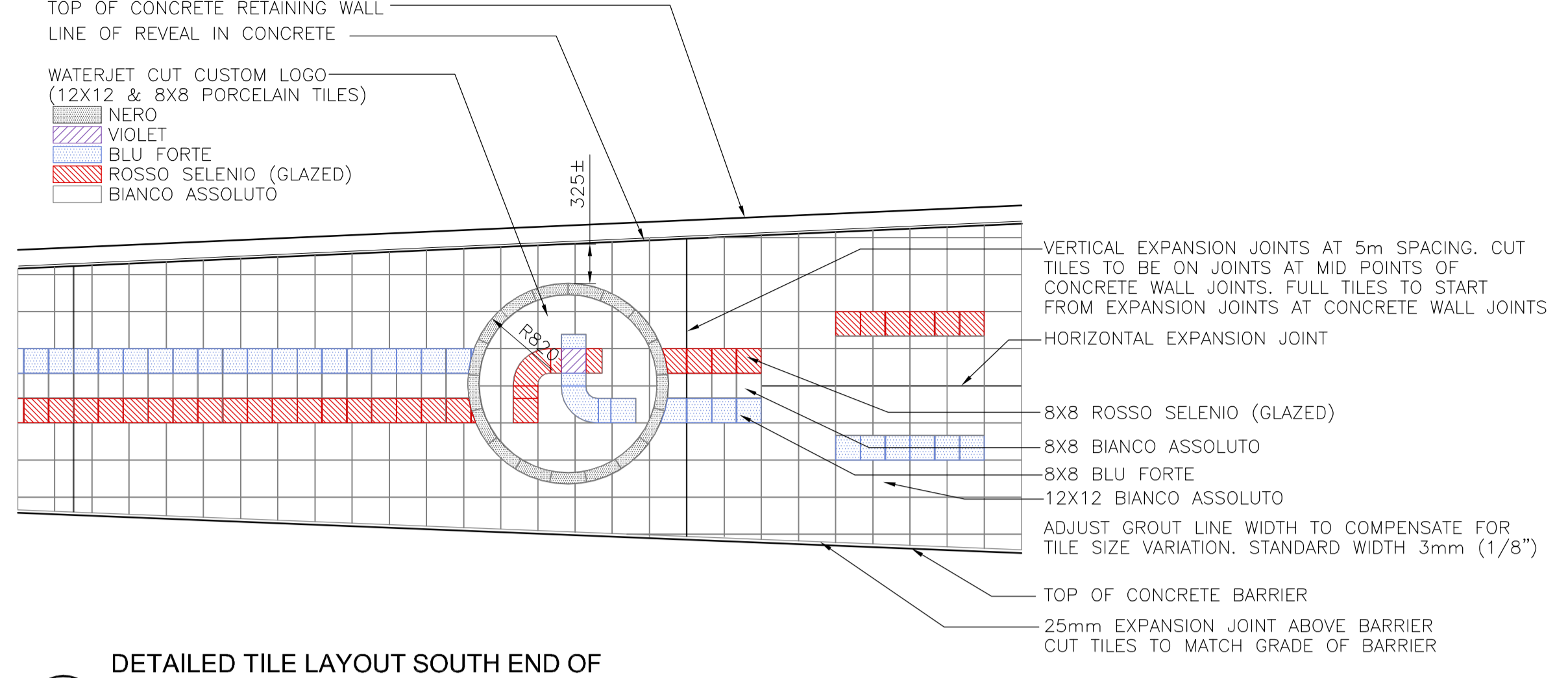
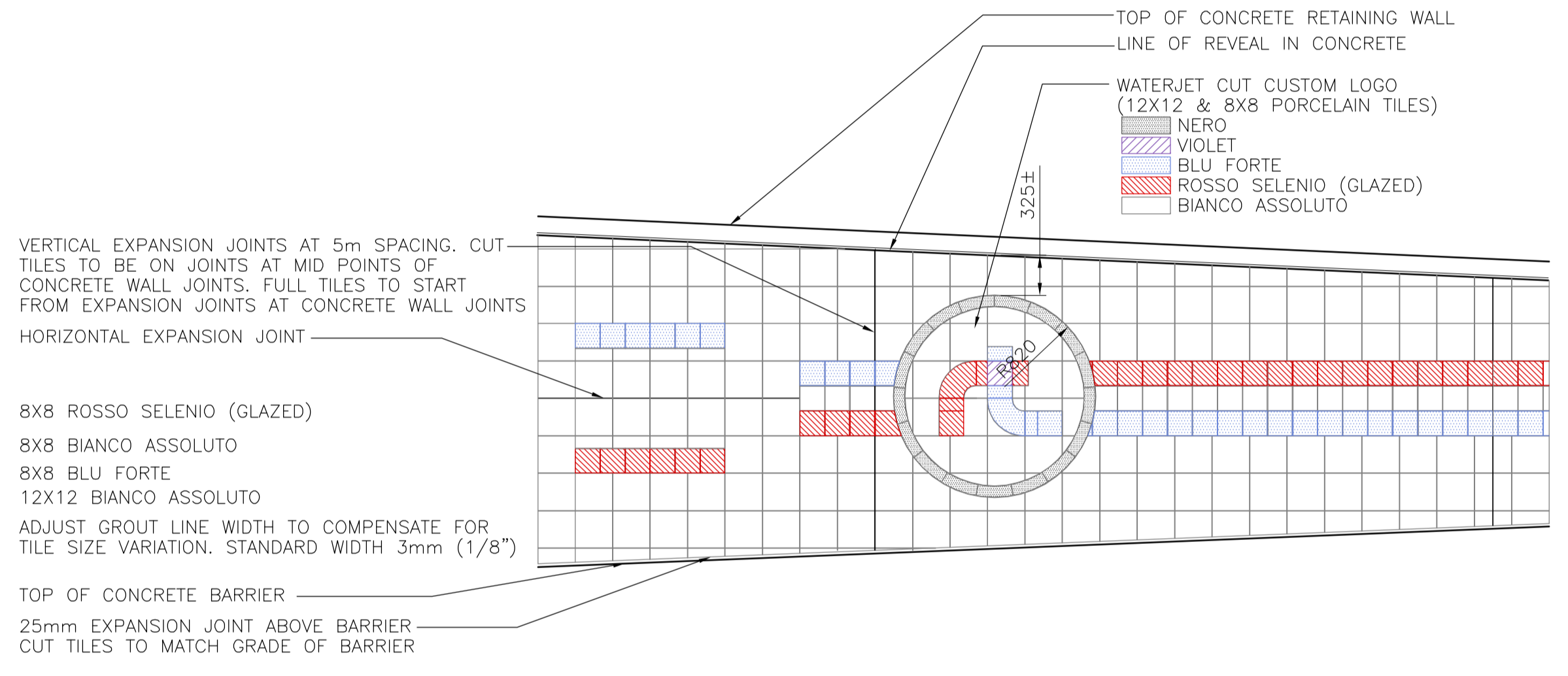


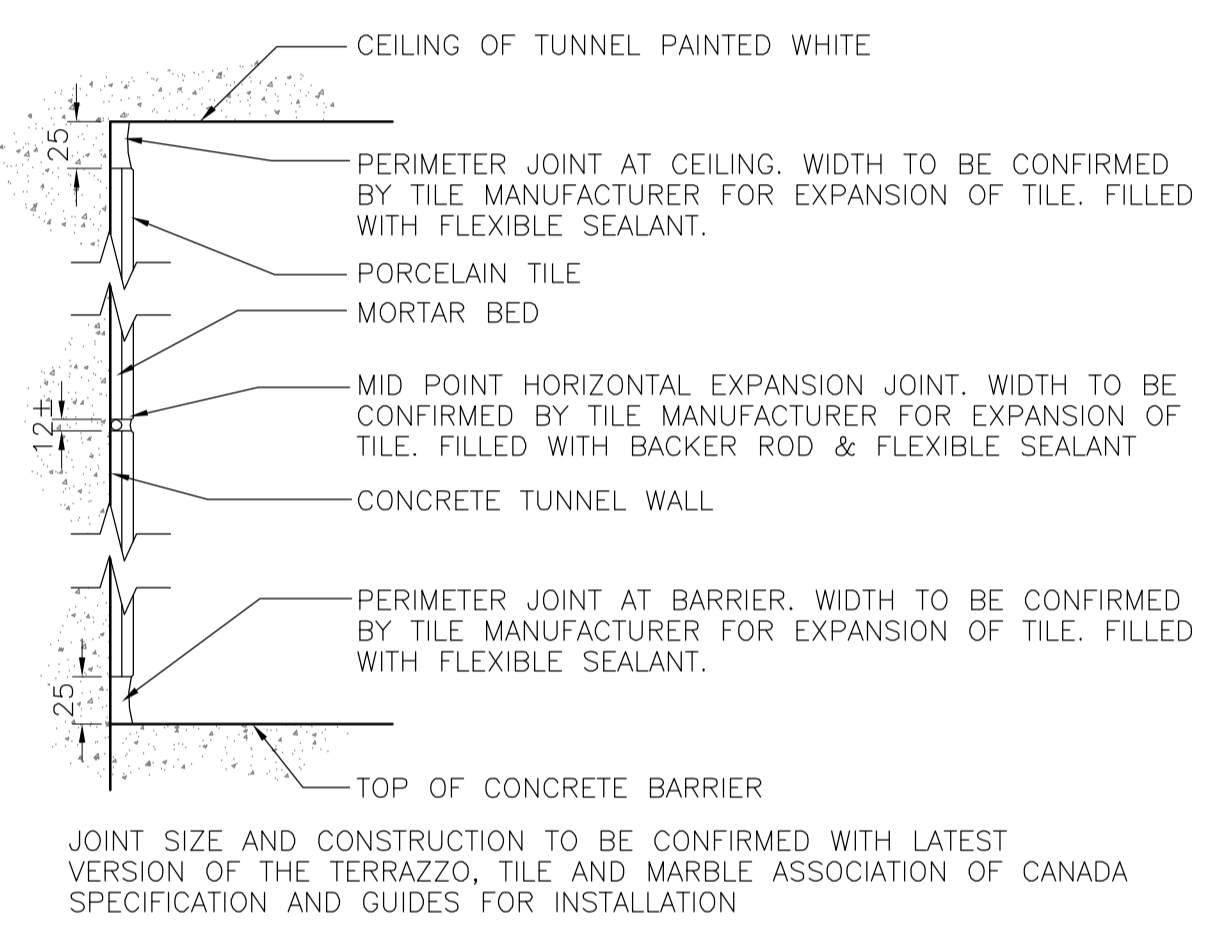
1
59/61
DETAILED TILE LAYOUT NORTH END OF WEST WALL



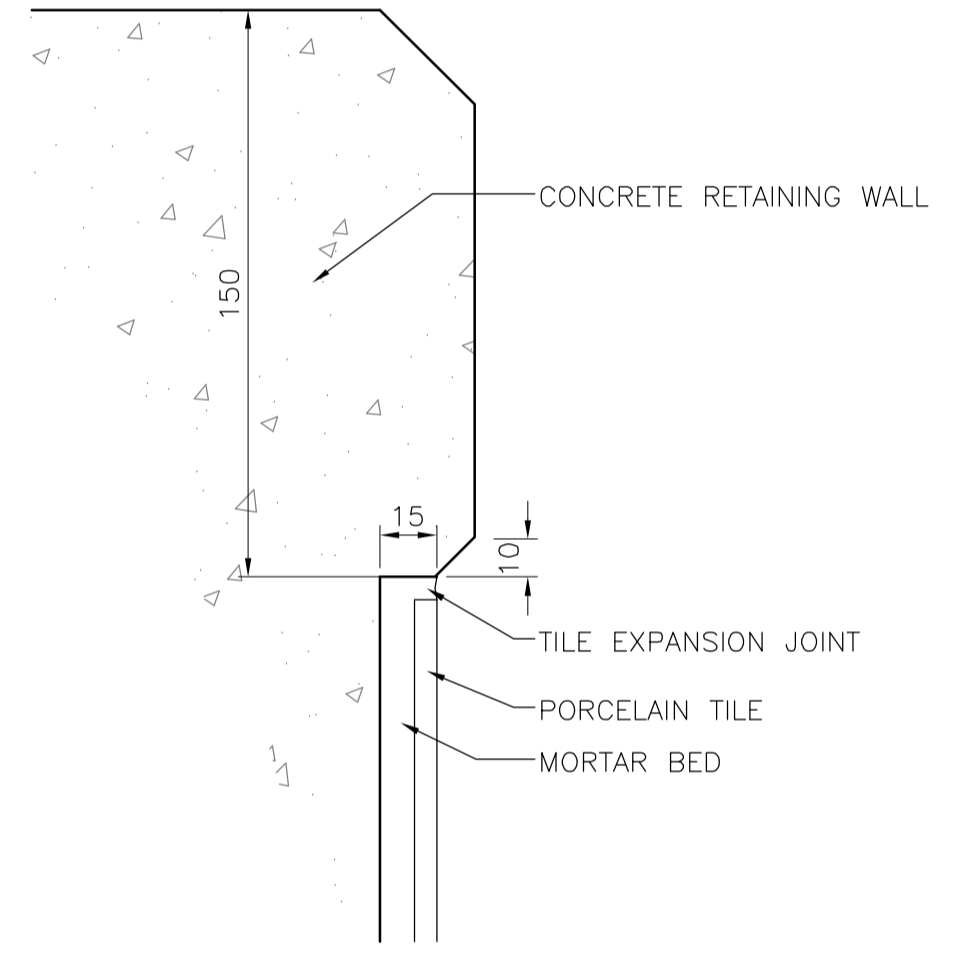
2
59/61
DETAILED TILE LAYOUT SOUTH END OF WEST WALL



3
60/61
DETAILED TILE LAYOUT SOUTH END OF EAST WALL



4
59/61
HORIZONTAL EXPANSION JOINTS (TYP)



5
59/61
TILE ON RETAINING WALL AT REVEAL

X:\08-028_Southwestern_BRT_Corridor\dwg\2009\tunnel\VP-DETAILS.dwg

| | | | | | | | | | |
|--|--|-------------------------|--|--|---|-----------------------------------|--|---|--|
| LOCATION UNDERGROUND STRUCTURES SUPV. U/G STRUCTURES COMMITTEE DATE | | APPROVED DATE | | B.M. ELEV. BM ELEV. | DESIGNED BY SR/JW DRAWN BY JW CHECKED BY SR APPROVED BY BM | | JACQUELINE L. WILKIE member no. 75 | THE CITY OF WINNIPEG TRANSIT DEPARTMENT | CITY DRAWING NUMBER U237-09-61 |
| NOTE: LOCATION OF UNDERGROUND STRUCTURES AS SHOWN ARE BASED ON THE BEST INFORMATION AVAILABLE BUT NO GUARANTEE IS GIVEN THAT ALL EXISTING UTILITIES ARE SHOWN OR THAT THE GIVEN LOCATIONS ARE EXACT. CONFIRMATION OF EXISTENCE AND EXACT LOCATION OF ALL SERVICES MUST BE OBTAINED FROM THE INDIVIDUAL UTILITIES BEFORE PROCEEDING WITH CONSTRUCTION. | | | | 1 ISSUED FOR ADDENDUM 4 4/11/09 JW 0 ISSUED FOR TENDER 05/10/09 JW NO. REVISIONS DATE BY | HOR. SCALE AS NOTED VERTICAL | RELEASED FOR CONSTRUCTION DATE | ORIGINALLY STAMPED BY JACKIE WILKIE 05/10/09 CONSULTANT PROJECT NO. 08-028C | SOUTHWEST RAPID TRANSIT CORRIDOR - STAGE 1 TRANSITWAY TUNNEL AT CN RIVERS SUBDIVISION MILEAGE 1.38 & ASSOCIATED WORKS | SHEET OF 61 OF 73 |
| TILING DETAILS | | | | | | | | CONSULTANT DRAWING NUMBER C4-S1303-T | |