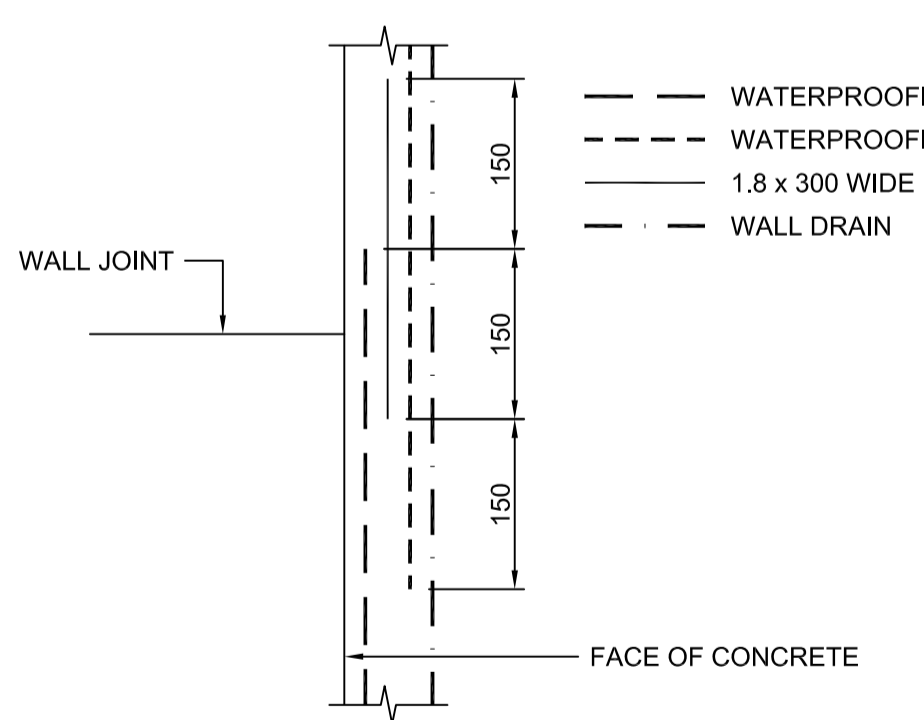
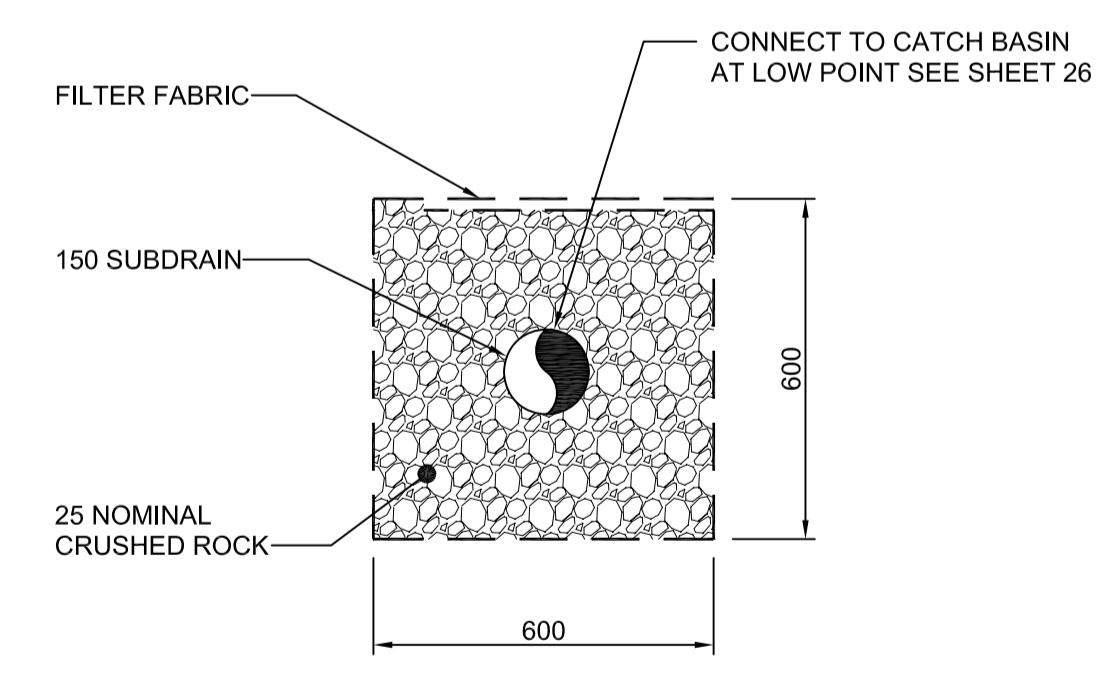


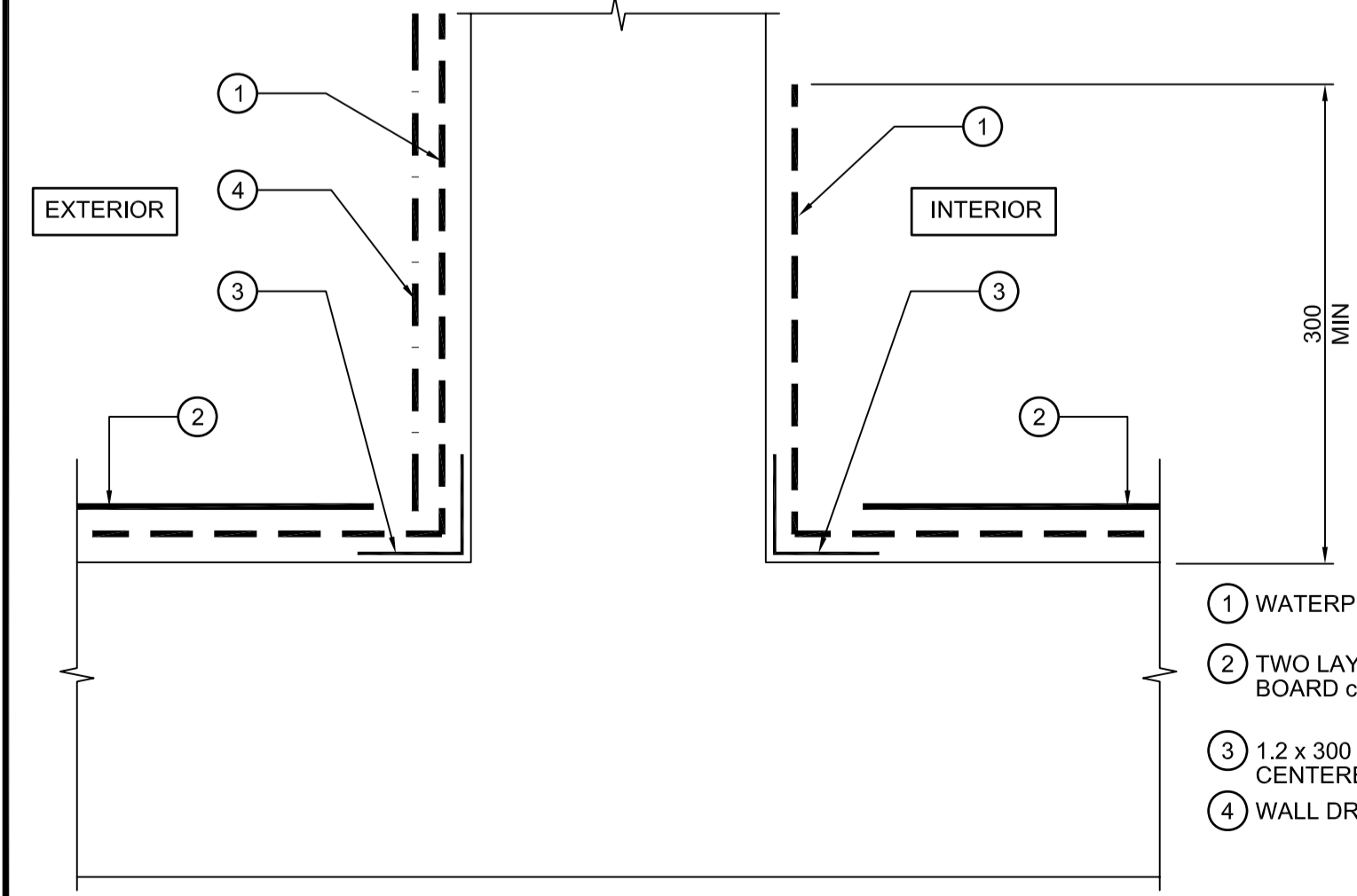
TYPICAL INTERIOR TUNNEL SECTION
SCALE 1:40



MEMBRANE SPLICE DETAIL
SCALE 1:20



TYPICAL SUBDRAIN DETAIL
SCALE N.T.S.

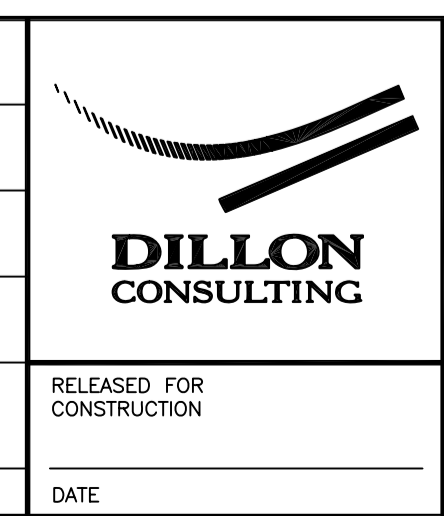


TYPICAL WATERPROOFING MEMBRANE DETAILS
SCALE N.T.S.

APEGM
Certificate of Authorization
Dillon Consulting Limited (MB)
No. 1789 Date: OCTOBER 13, 2009

LOCATION UNDERGROUND	APPROVED STRUCTURES	B.M. ELEV.	DESIGNED BY KGW
SUPV. U/G STRUCTURES COMMITTEE	DATE		DRAWN BY RCB
NOTE: LOCATION OF UNDERGROUND STRUCTURES AS SHOWN ARE BASED ON THE BEST INFORMATION AVAILABLE. BUT NO GUARANTEE IS GIVEN THAT ALL EXISTING UTILITIES ARE SHOWN OR THAT THE GIVEN LOCATIONS ARE EXACT. CONFIRMATION OF EXISTENCE AND EXACT LOCATION OF ALL SERVICES MUST BE OBTAINED FROM THE INDIVIDUAL UTILITIES BEFORE PROCEEDING WITH CONSTRUCTION.			CHECKED BY KGW
			APPROVED BY DPK
			HOR. SCALE AS SHOWN
			VERTICAL AS SHOWN
0 ISSUED FOR TENDER	10/13/2009	RCB	RELEASED FOR CONSTRUCTION
NO. REVISIONS	DATE	BY	DATE 2009/06/24

DESIGNED BY KGW	ENGINEER'S SEAL
DRAWN BY RCB	PROVINCE OF MANITOBA ORIGINAL SIGNED BY: K. G. WILLIS 10.13.2009 REGISTERED PROFESSIONAL ENGINEER
CHECKED BY KGW	CONSULTANT PROJECT NO. 088813
APPROVED BY DPK	
HOR. SCALE AS SHOWN	
VERTICAL AS SHOWN	
RELEASED FOR CONSTRUCTION	
DATE	



THE CITY OF WINNIPEG TRANSIT DEPARTMENT

Winnipeg

SOUTHWEST RAPID TRANSIT CORRIDOR - STAGE 1
TRANSITWAY TUNNEL AT CN RIVERS SUBDIVISION
MILEAGE 1.38 & ASSOCIATED WORKS

CITY DRAWING NUMBER U237-09-07
SHEET 07 OF 73
CONSULTANT DRAWING NUMBER C4-G106-T

TYPICAL TUNNEL SECTION

G:\cadd\088813\Contract\Contract_1\Current\C4-G106-P.dwg